

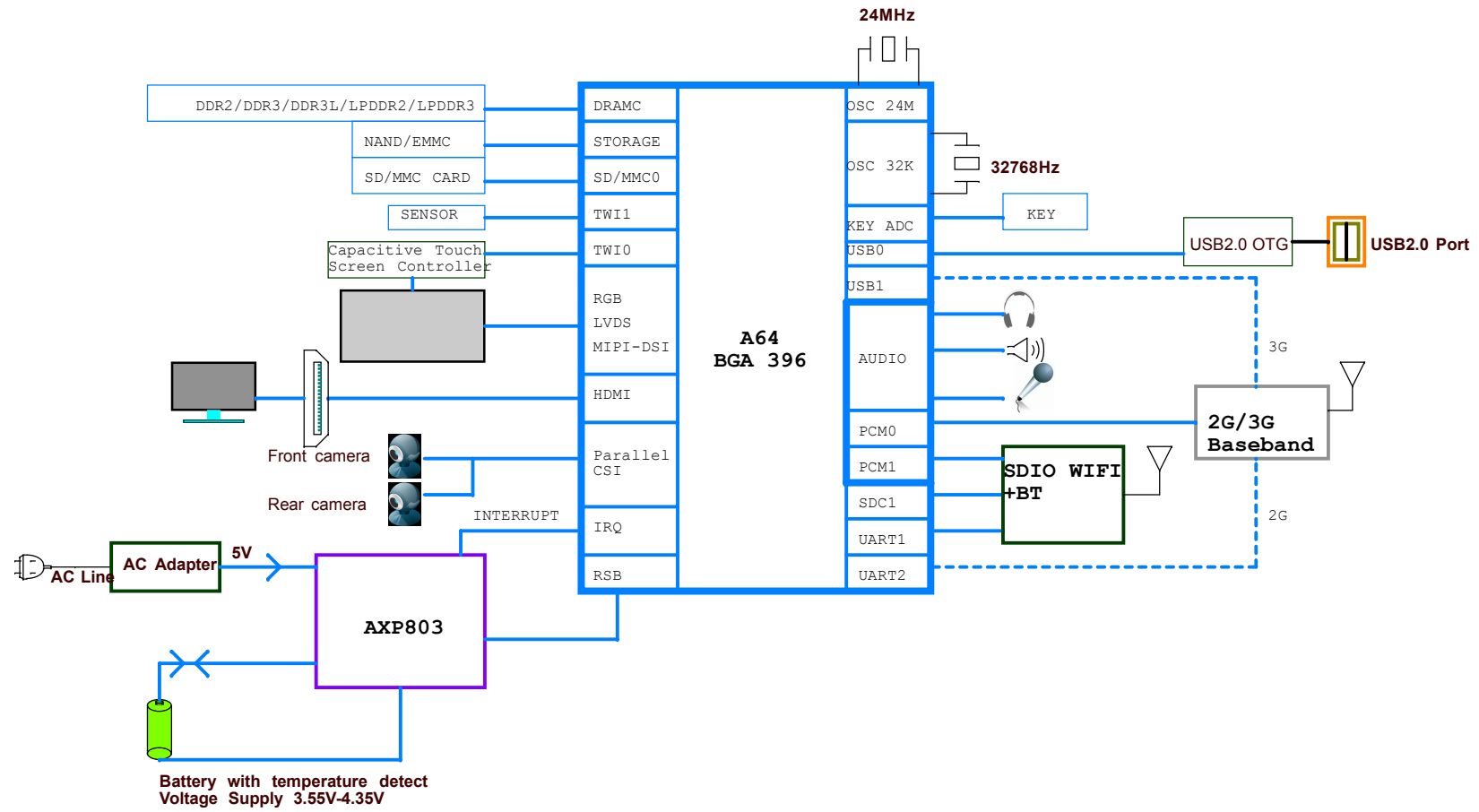
# VERSION HISTORY

Revision	Description	Date	Drawn	Checked	Approved
Ver 1.0	Release version				

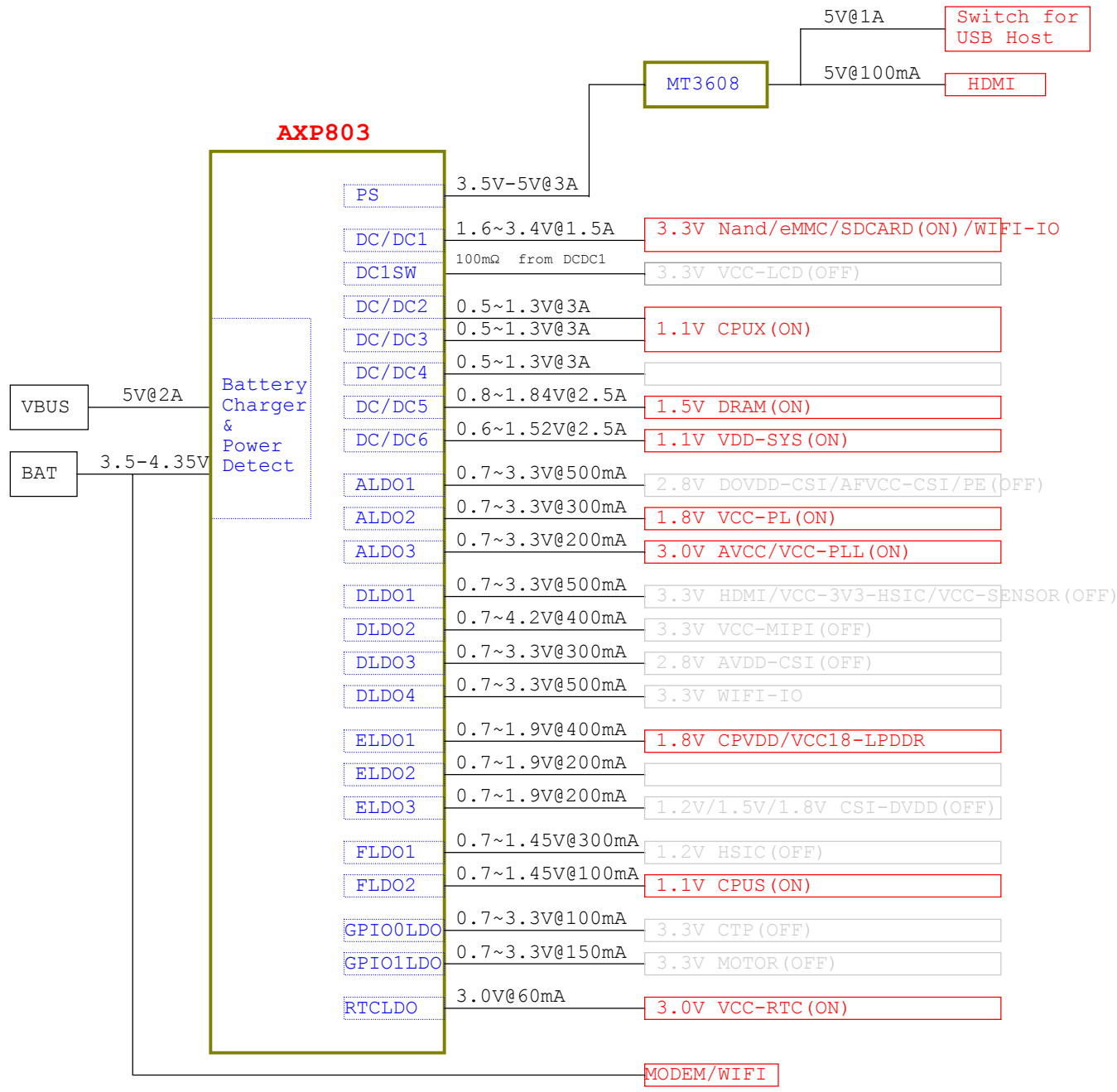
## Index:

- 01 VERSION HISTORY
- 02 BLOCK DIAGRAM
- 03 POWER TREE
- 04 LPDDR3 FGBA178
- 05 CPU
- 06 PMIC
- 07 FLASH
- 08 AUDIO
- 09 USB/T-CARD
- 10 CAMERA
- 11 LCM/CTP
- 12 SENSORS/MT/KEY
- 13 HDMI
- 14 WIFI-BT
- 15 LCD-eDP
- 16 EDP/MIPI-LCD

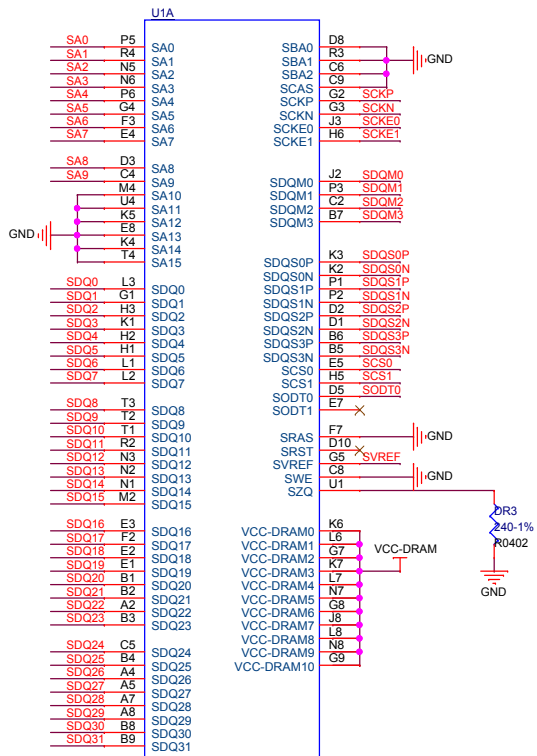
# BLOCK DIAGRAM



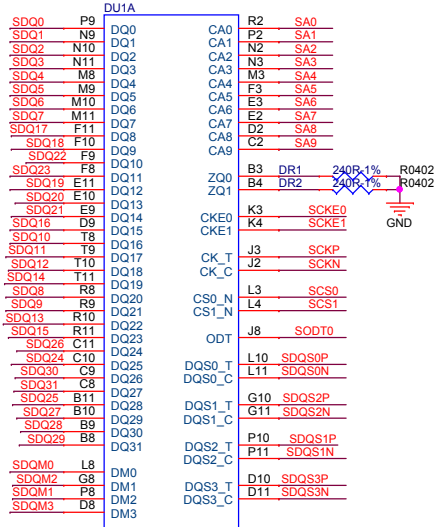
# POWER TREE



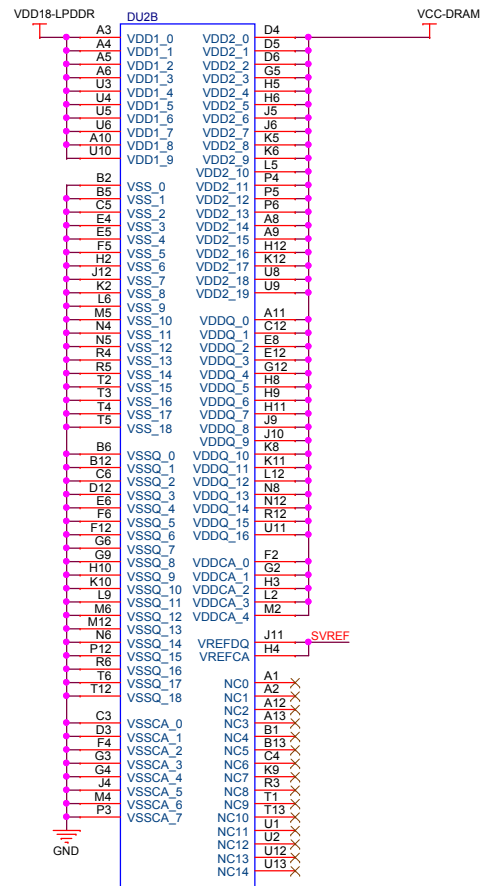
# LPDDR3



A64



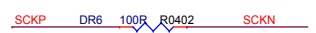
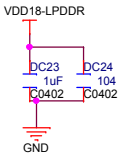
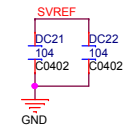
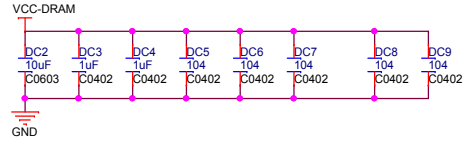
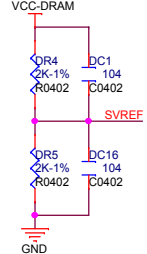
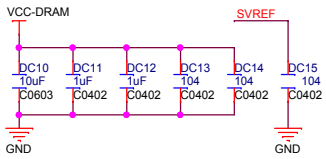
LPDDR3\_FPGA178



LPDDR3\_FPGA178

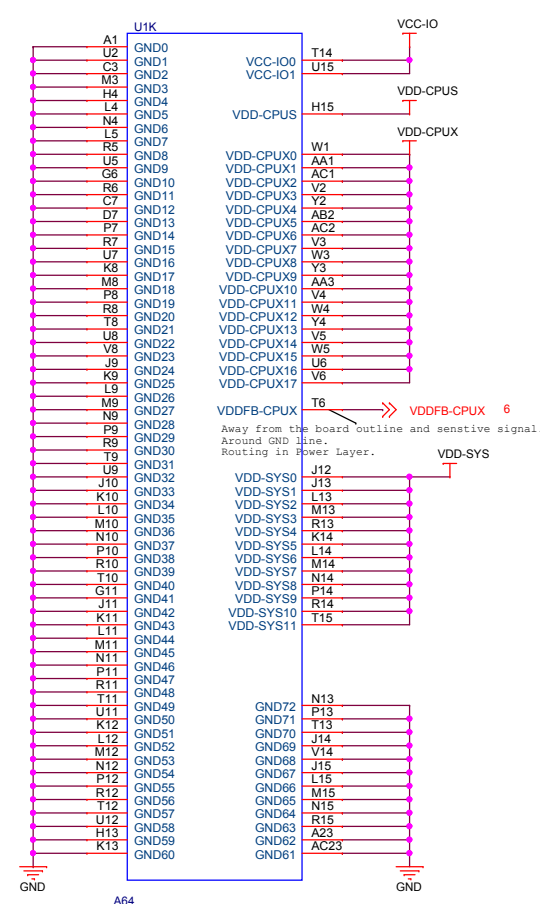
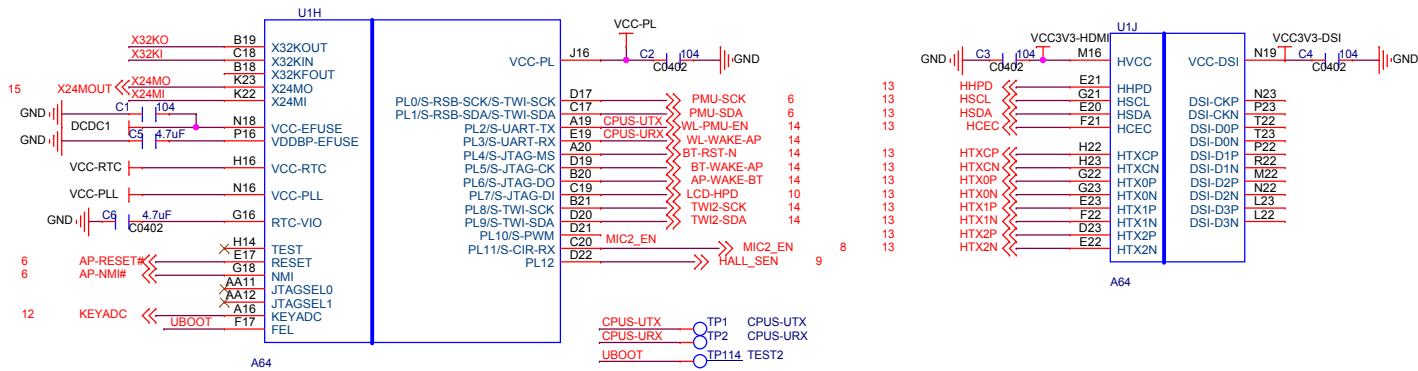
2017-01-10

2017-01-10

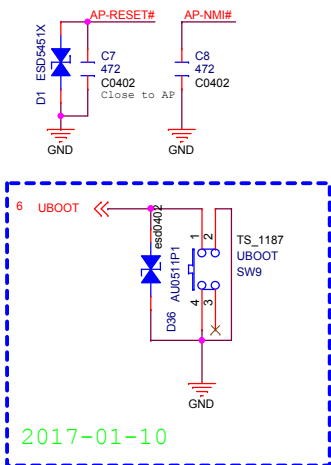


Title		PINE64	
Document Number		LPDDR3-FPGA178	
Size	A3	Date:	Tuesday, January 10, 2017
Sheet		4 of 16	

# CPU

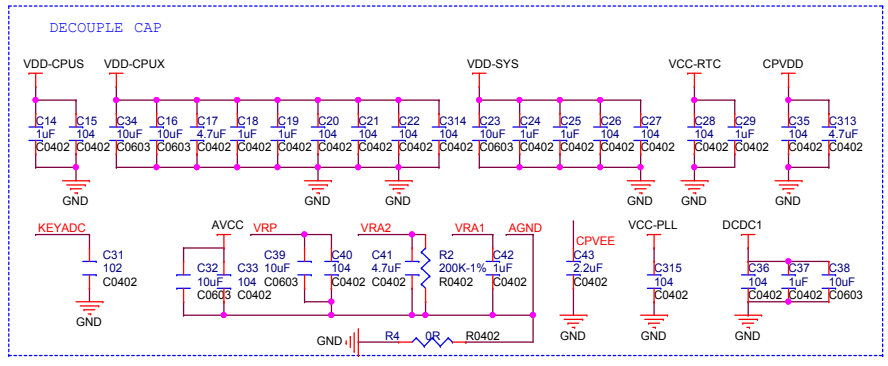
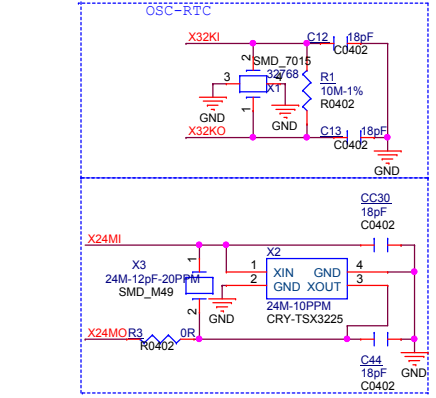


Away from the board outline and sensitive signal. Around GND line.



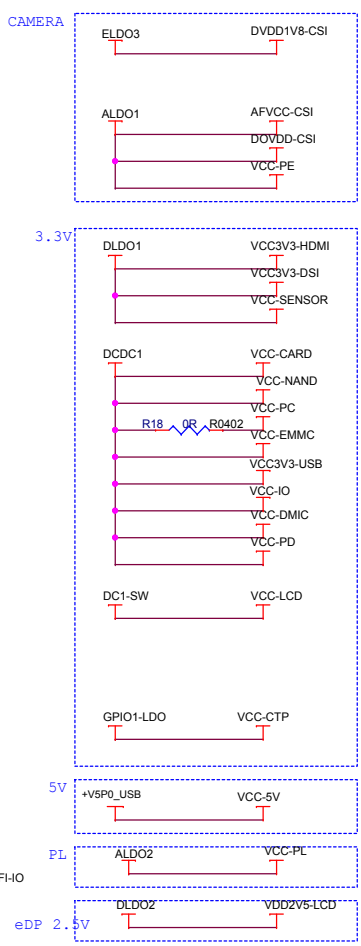
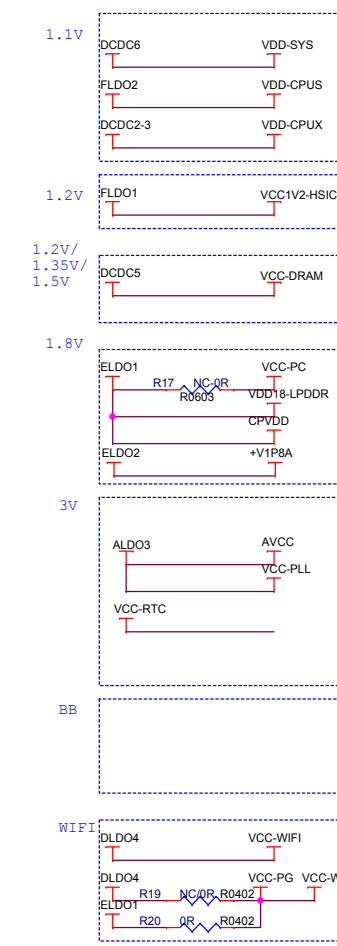
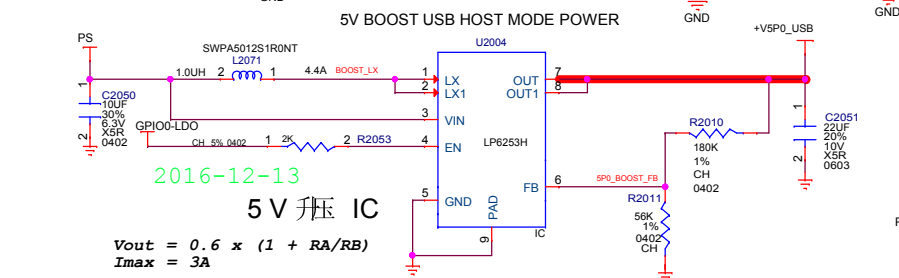
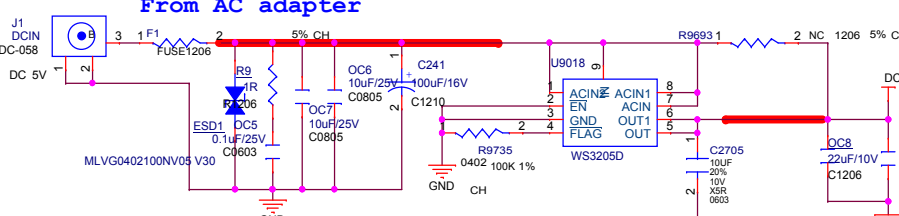
2017-01-10

2016-12-20

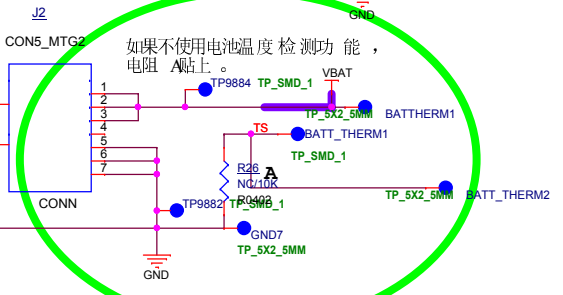


Title		PINEBOOK	
Document Number		CPU	
Size	A3	Date:	Tuesday, January 10, 2017
		Sheet	5 of 16

# Power

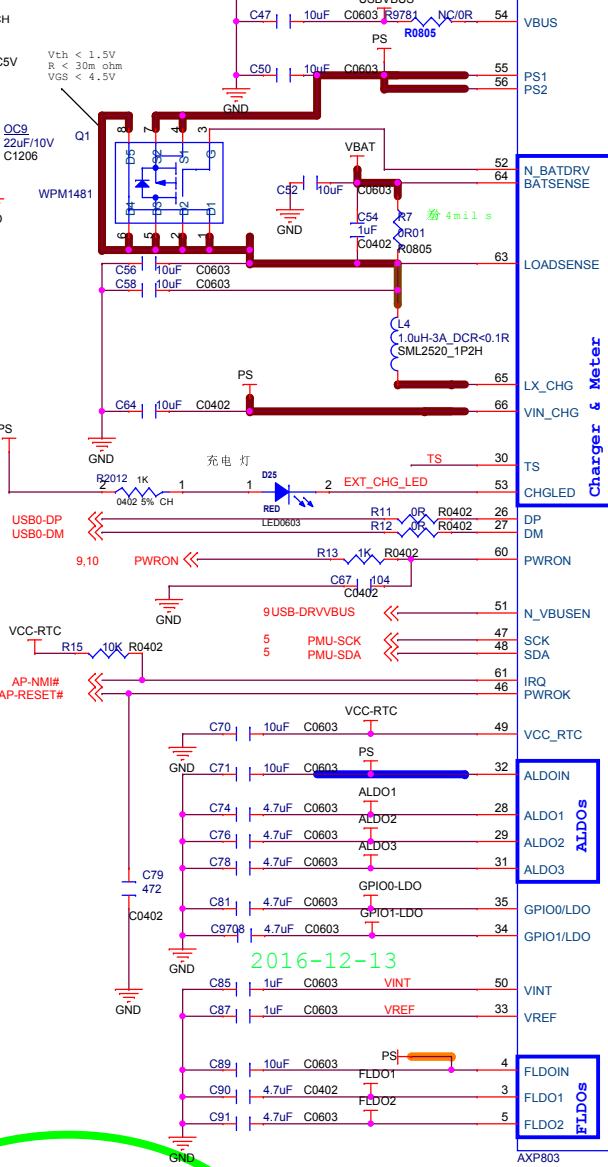


# BAT

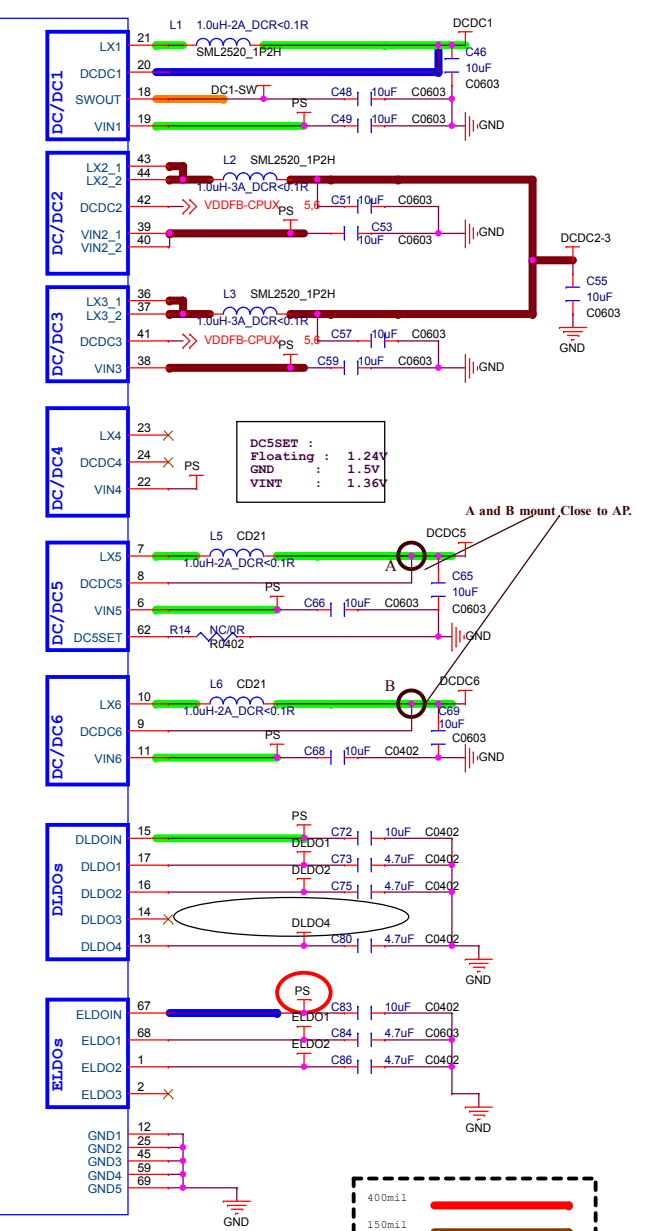


如果不使用电池温度检测功能，电阻 A 不上。

# PMIC



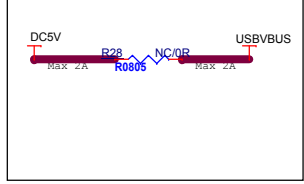
# Charger & Meter



DC5SET :  
 Floating : 1.24V  
 GND : 1.5V  
 VINT : 1.36V

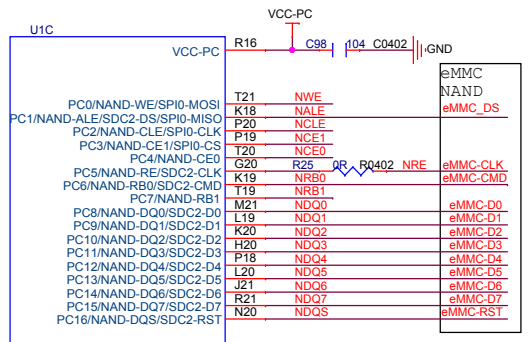
A and B mount Close to AP.

# DCIN

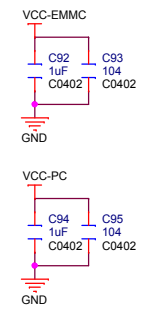
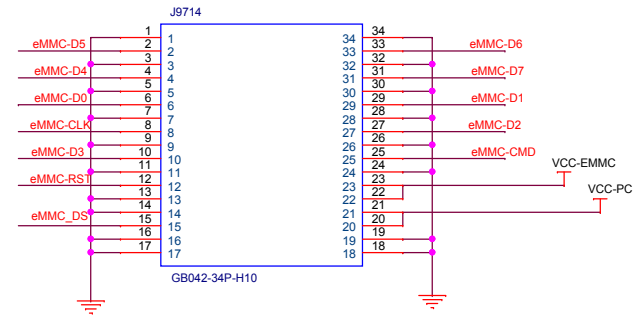


PINE64	
Title	PINEBOOK
Document Number	PMIC
Size	A3
Date: Tuesday, January 10, 2017	Sheet 6 of 16

# NAND/eMMC



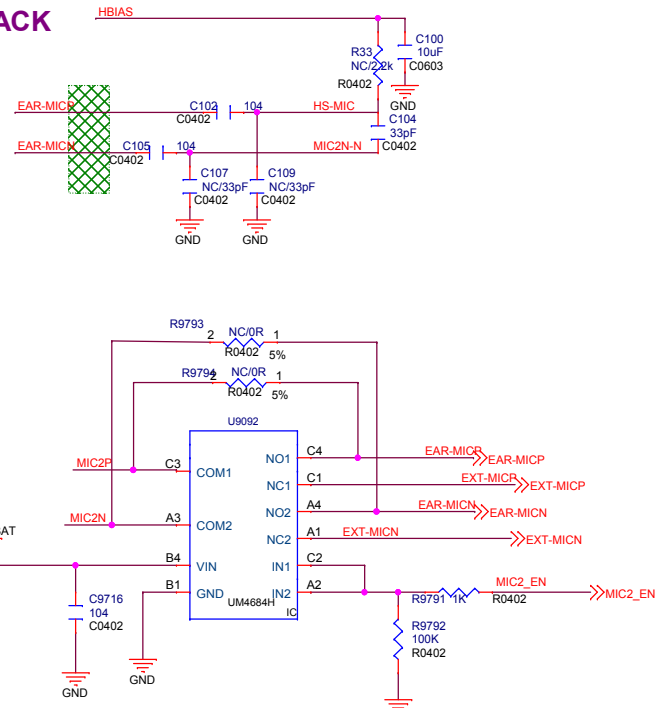
A64



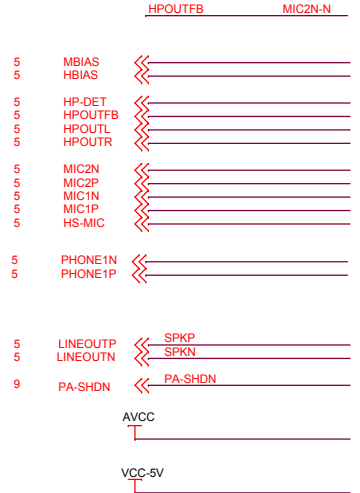
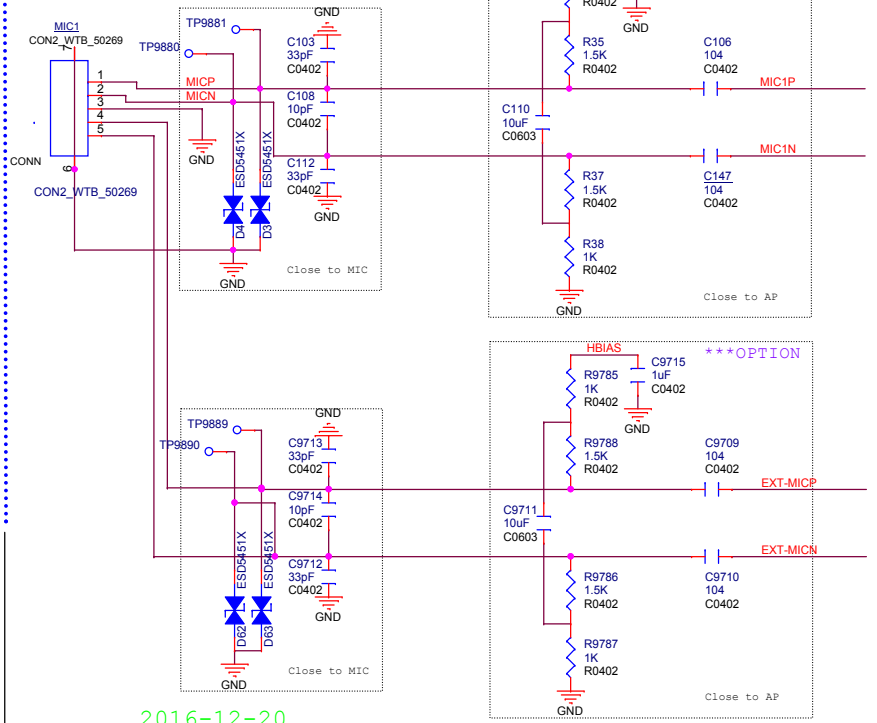
Both eMMC NAND and first TSOP NAND layout together

# AUDIO

# HP\_JACK



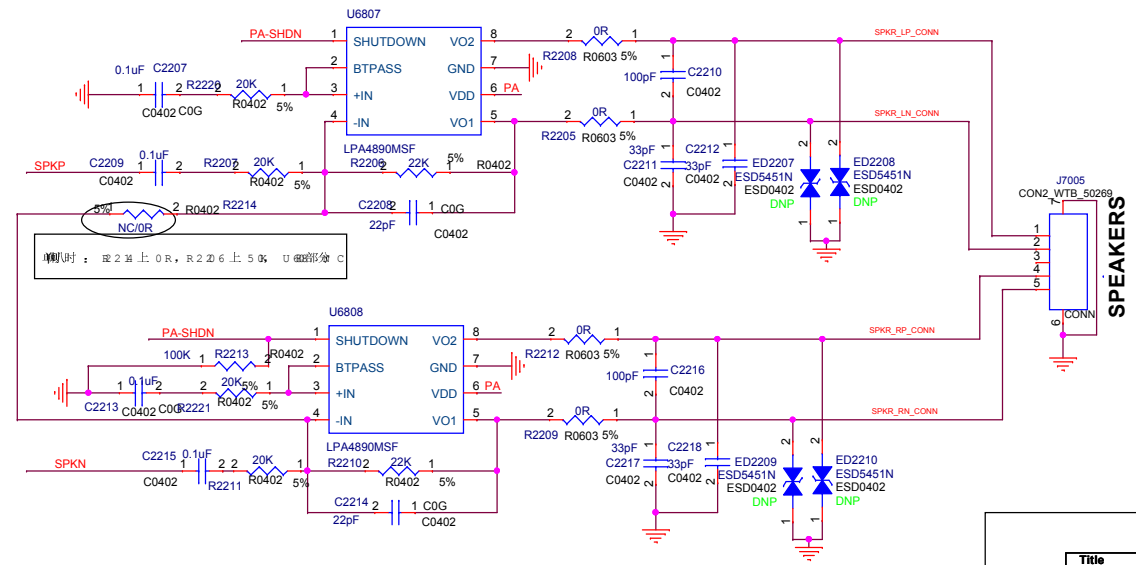
# ECM AMIC



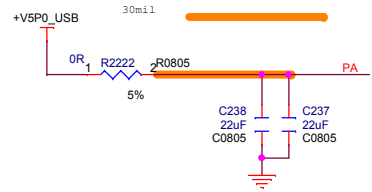
2016-12-22

2016-12-20

# SPEAKER



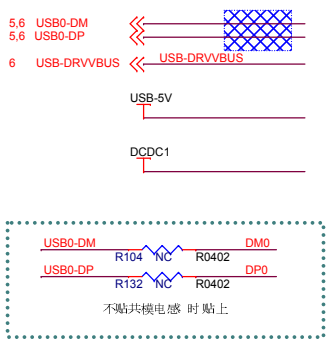
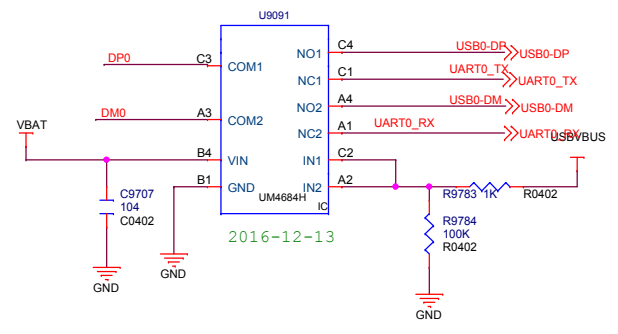
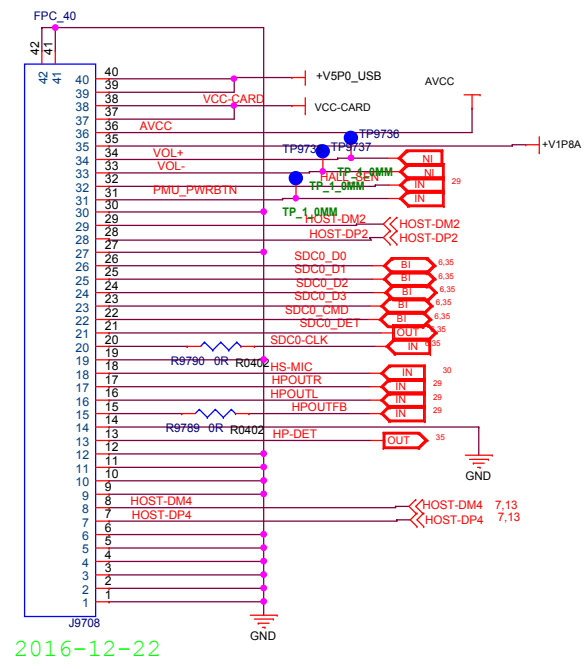
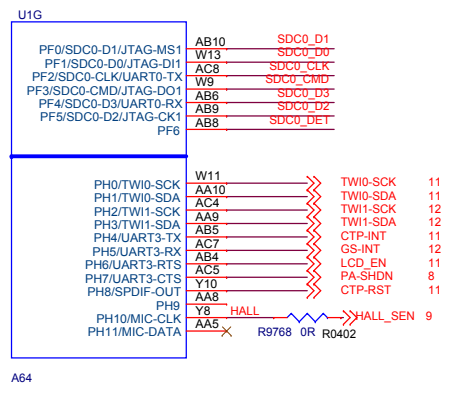
增加时：R2207上0R，R2206上5%；U磁感线圈



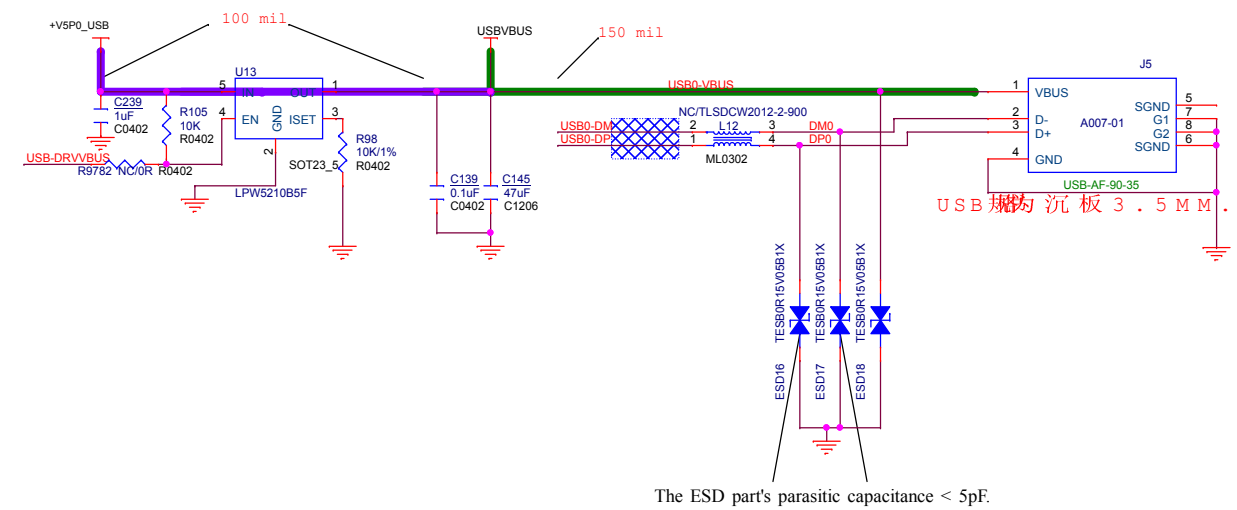
<b>PINE64</b>	
<b>PINEBOOK</b>	
Document Number	AUDIO
Date: Tuesday, January 10, 2017	Sheet 8 of 16



# T-CARD/USB

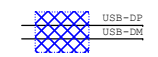


## USB



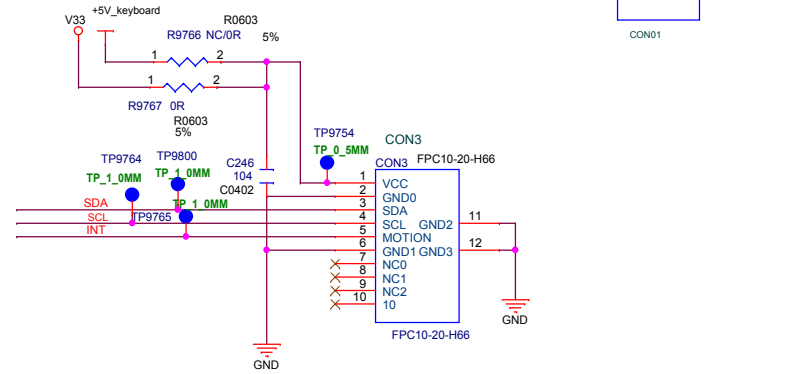
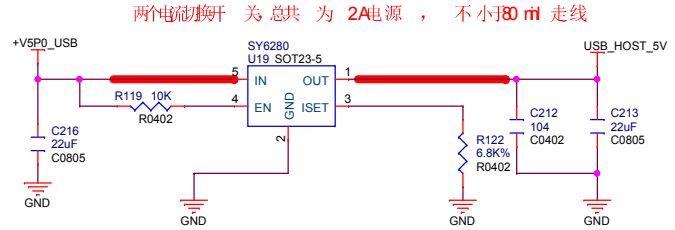
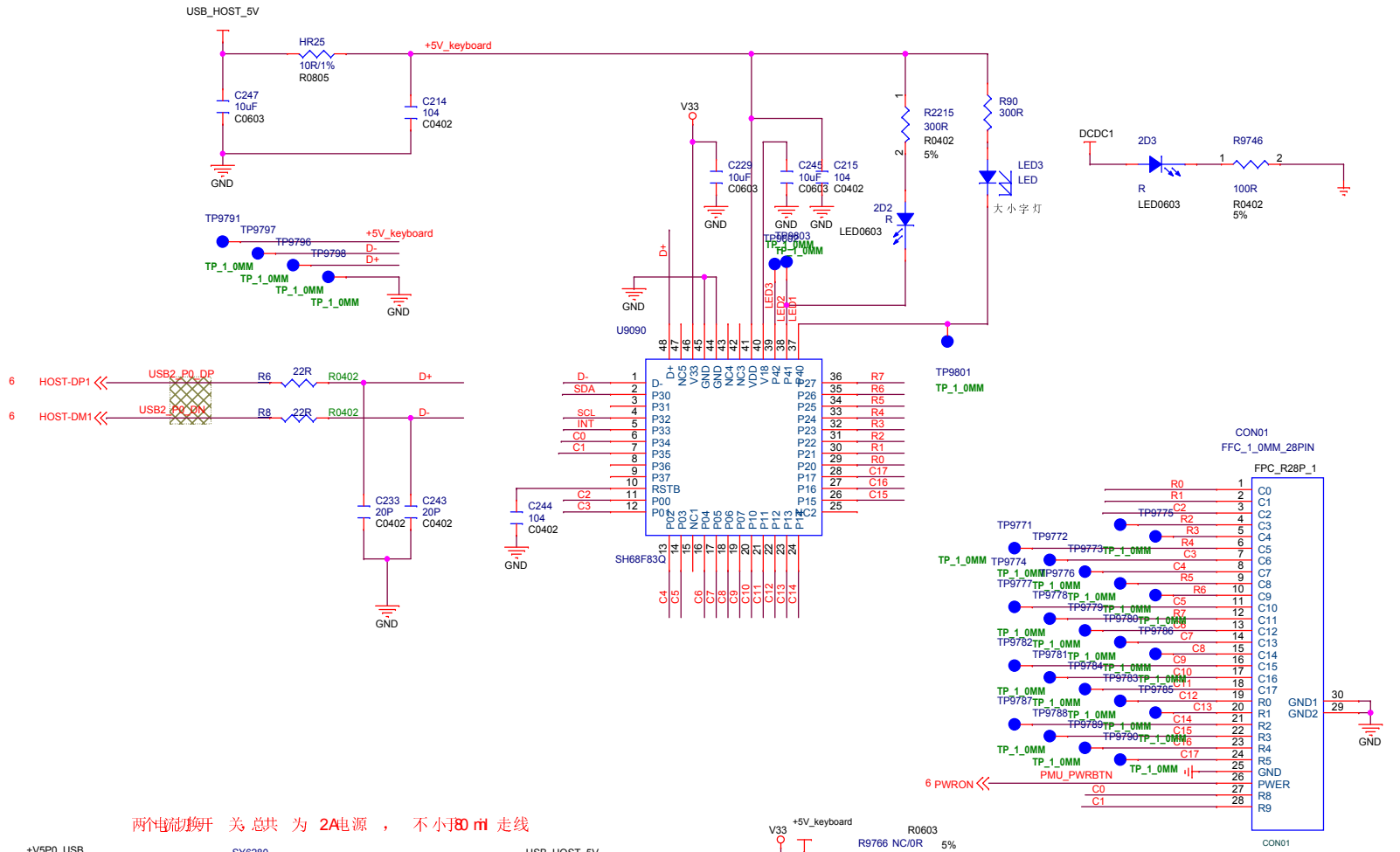
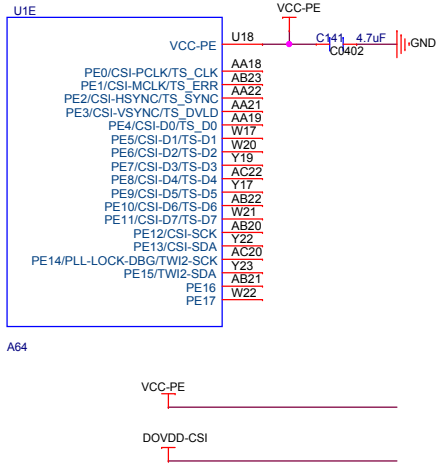
## Differential pairs

Z0= 90 ohm



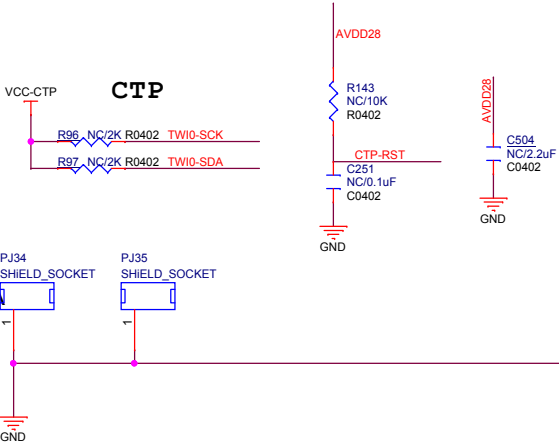
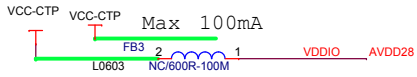
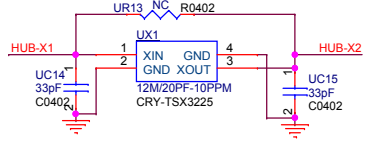
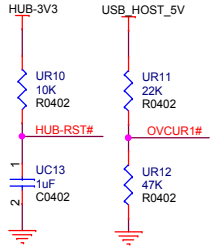
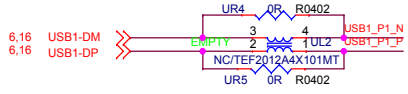
Title		PINEBOOK	
Document Number		T-CARD/USB	
Size	A3	Date:	Tuesday, January 10, 2017
Sheet		9 of 16	

# CAMERA



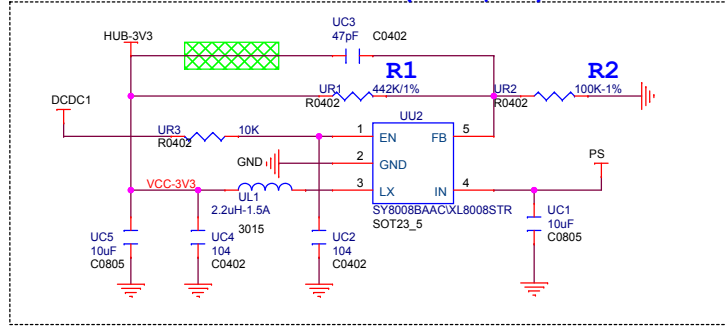
# CTP

Differential pairs  
Z0= 90 ohm +/-5 ohm



## VCC-3V3

$$V_{out} = 0.6 * (1 + R1/R2) = 3.25V$$

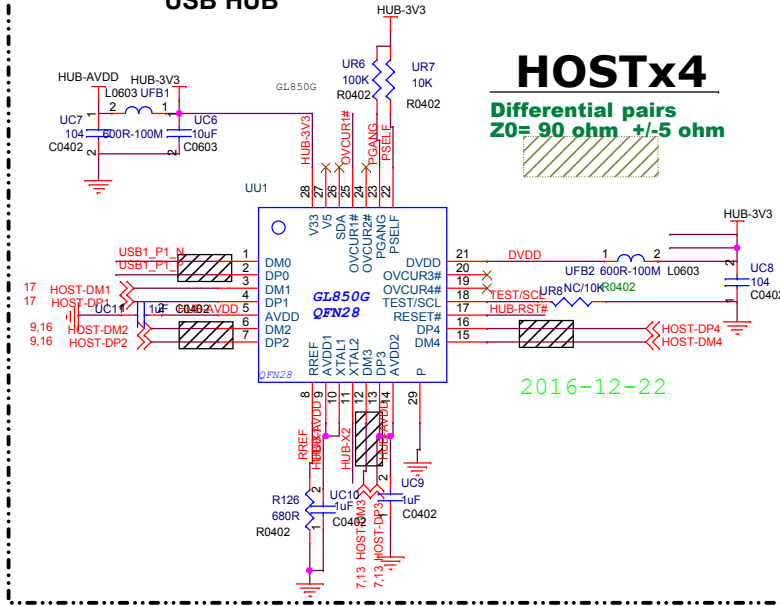


## USB HUB\_USB\_CONN

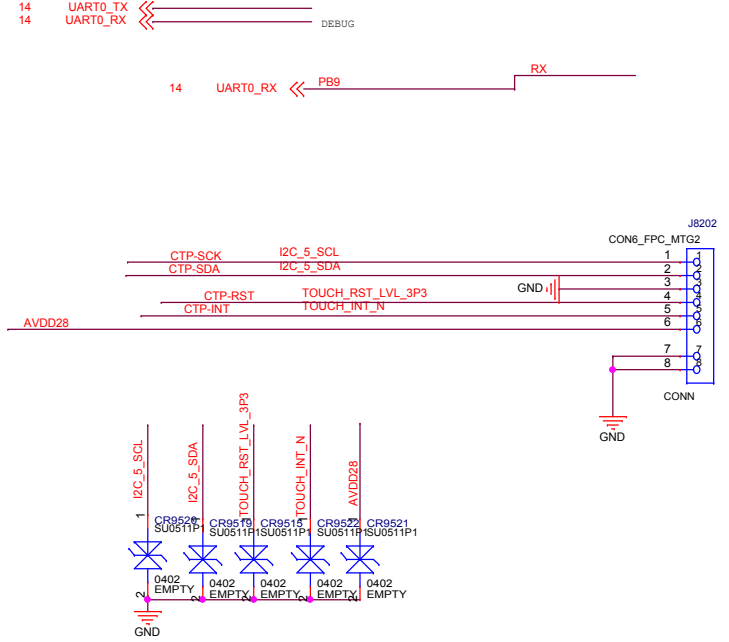
### USB HUB

### HOSTx4

Differential pairs  
Z0= 90 ohm +/-5 ohm



2016-12-22



Title		PINEBOOK	
Document Number		CTP	
Sps	A3	Date:	Tuesday, January 10, 2017
Sheet	11	of	16

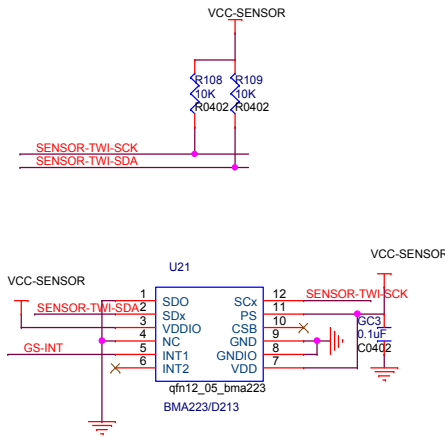
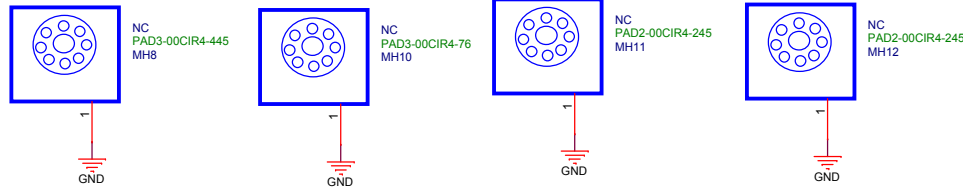
# SENSORs/MT/KEY

## SENSOR

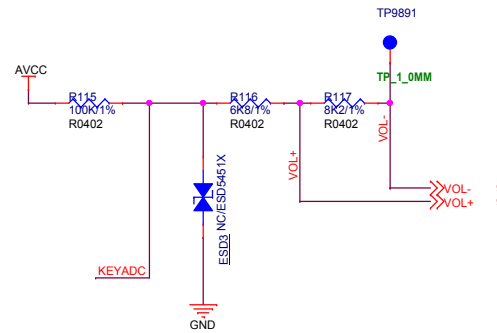
## Motor



G-SENSOR IC 屛行 放置, 放在屛的 左上方, 右上方 放置 GND 脚。



## KEY

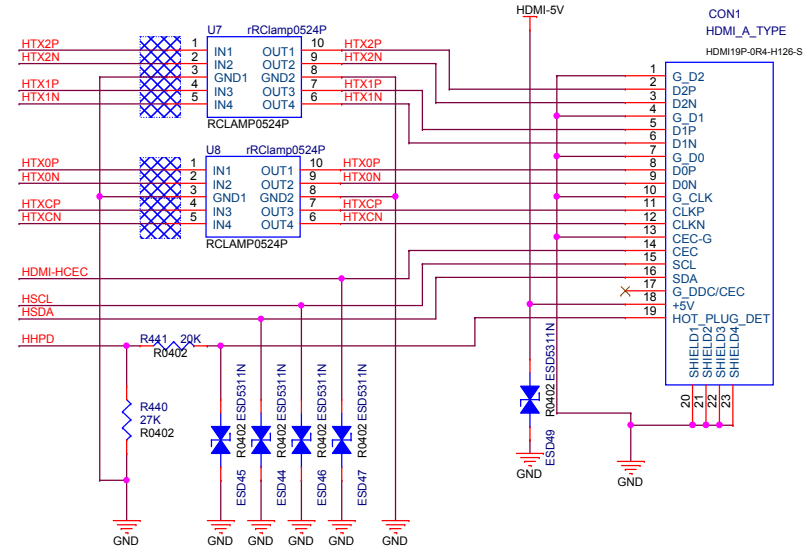
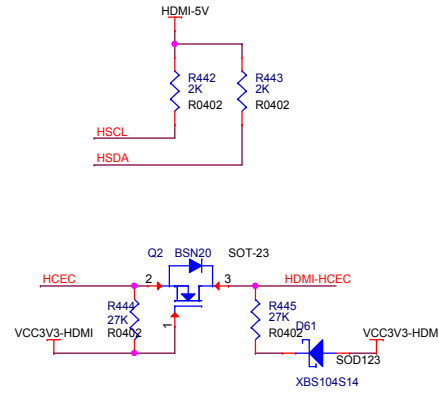


<b>PINE64</b>	
Title	<b>PINEBOOK</b>
Document Number	<b>SENSOR/KEY</b>
Size A3	
Date: Tuesday, January 10, 2017	Sheet 12 of 16

# HDMI

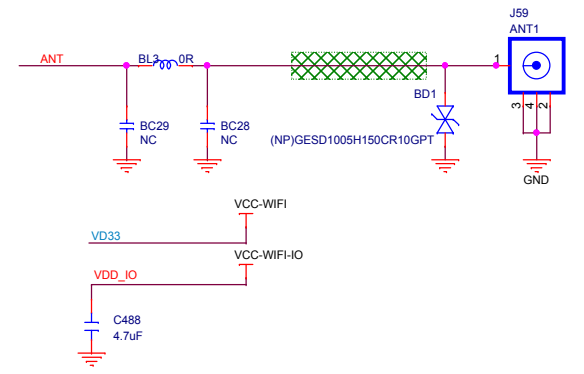
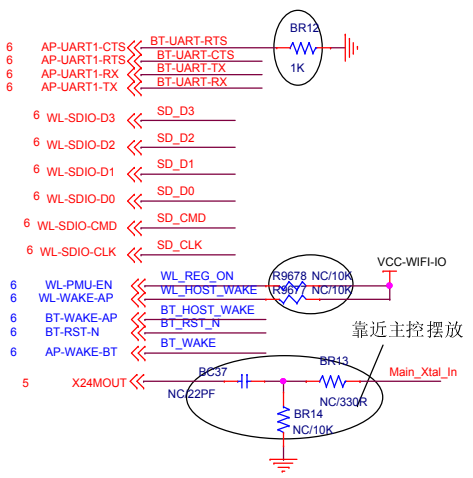
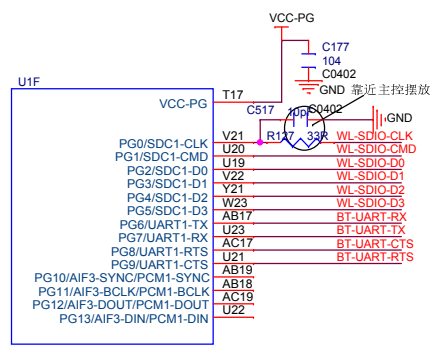


Differential pairs  
Z0= 100 ohm



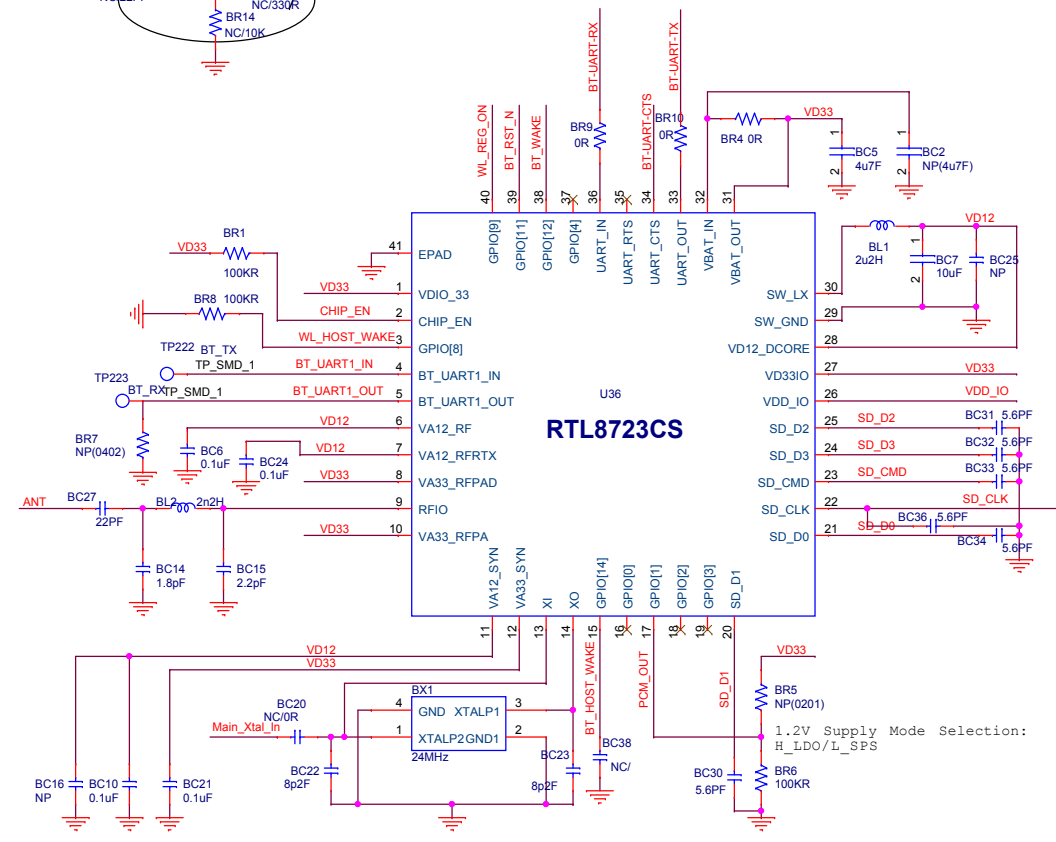
PINE64	
Title	PINEBOOK
Document Number	HDMI
Size A3	
Date: Tuesday, January 10, 2017	Sheet 13 of 16

# RTL8703AS/8723BS-COB



A64

VCC-WIFI-IO

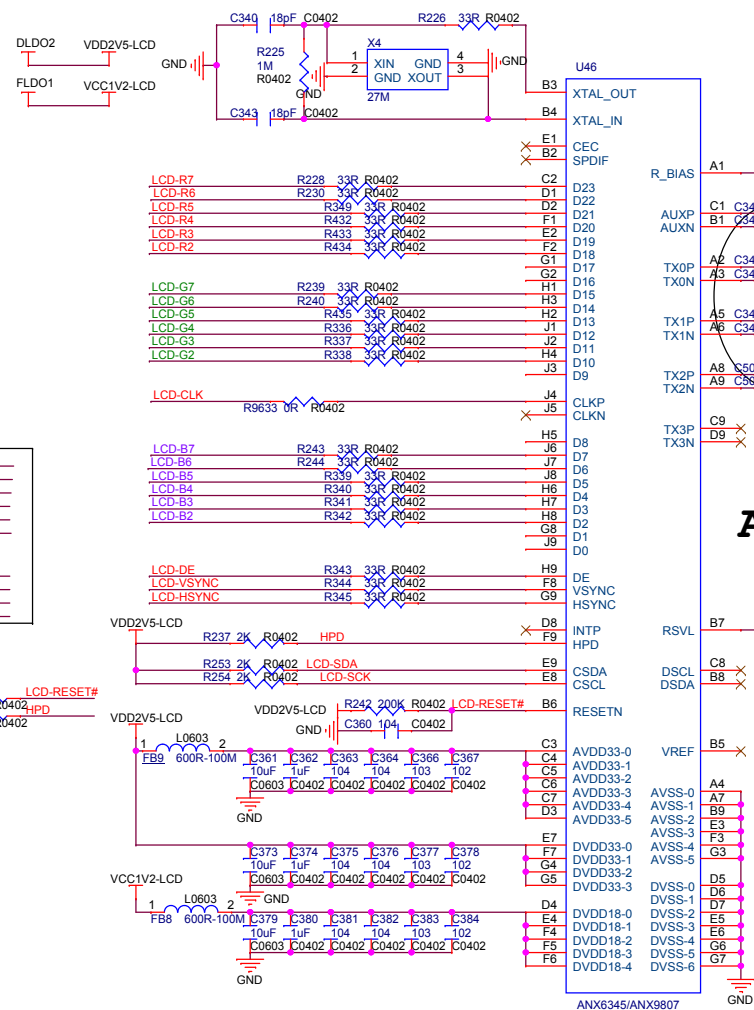


GPIO[8]/EXT\_WOL/WL\_WAKE\_HST/WL\_LED/BT\_LED/ANTSEL2/ SD\_OB\_INT  
 BT\_UART1\_IN/BT\_3DD\_SEL/BT\_GPIO/BT\_LED/ ANTSEL1/ANTSEL1  
 BT\_UART1\_OUT/BT\_3DD\_SYNC/BT\_GPIO/(WL\_WAKE\_HST)/TEST\_MD\_SEL/ANTSEL0  
 GPIO[9]/WL\_DISn/EXT\_WOLO  
 GPIO[11]/BT\_DISn/ BT\_EXT\_WOL  
 GPIO[12]/HST\_WAKE\_DEV/LTE\_COEX/FM\_I2S\_SDOUT/WPS  
 GPIO[4]/EEPROM\_SEL/WL\_LTE\_UART\_OUT/BT\_GPIO(BT\_WAKE\_HST)/FM\_I2S\_WS/FM\_I2C\_SDA  
 GPIO[14]/DEV\_WAKE\_HST/(WL\_WAKE\_HST)  
 GPIO[0]/ICFG0/BT\_GPIO/PCM\_IN

### Supply Voltage Options

Part	VBAT==3.3V	VBAT=3.3~5.5V (Battery)
BR4	0R	NP
BR1	100KR	NP(CHIP_EN: Off Module Pull High)
BC2	NP	4.7uF

# LCD-eDP-TP



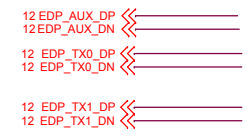
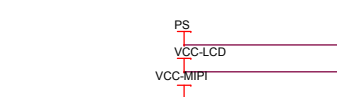
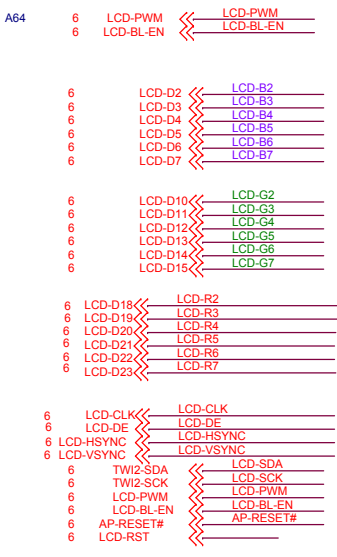
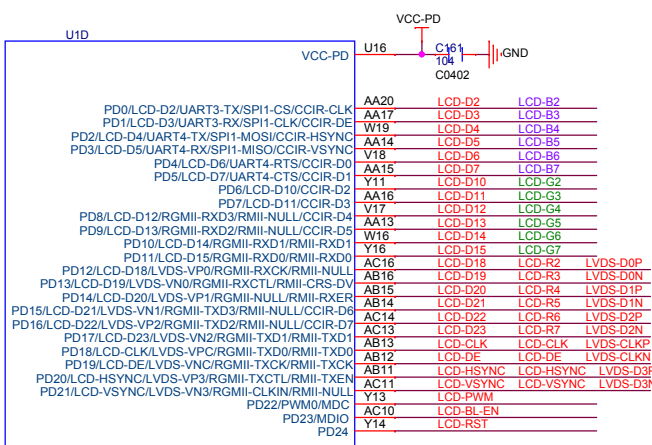
**A**

LG Display  
MODEL: LP0970x1

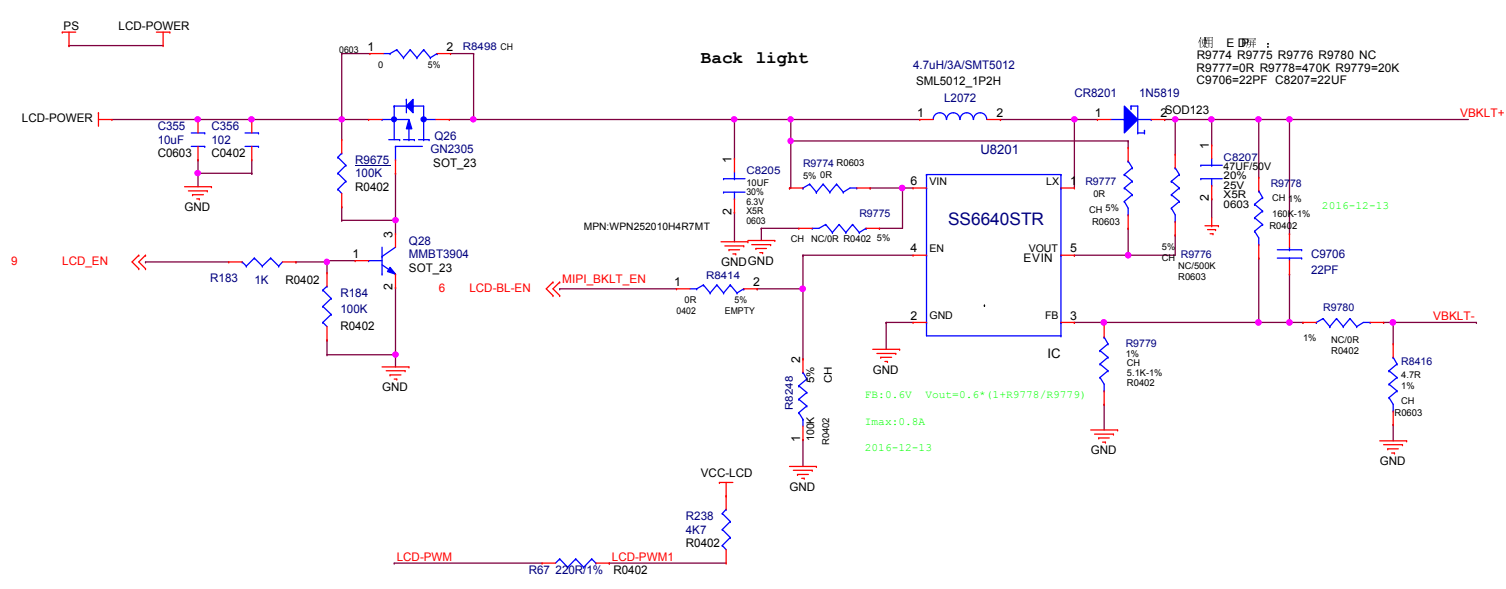
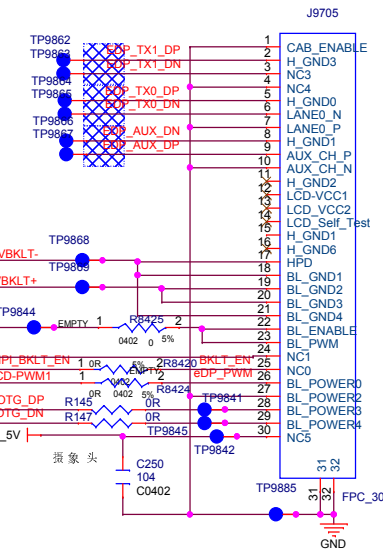
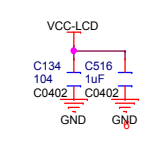
AUX+, TX0+, TX0-, TX1+, TX1-  
差分有線，  
阻抗配 10 ohm

**Differential pairs  
Z0= 100 ohm**

# EDP/MIPI



Differential pairs  
Z0= 100 ohm



PINE64	
Title	PINEBOOK
Document Number	BDP/MIPI-LCD
Size	A3
Date: Tuesday, January 10, 2017	Sheet 16 of 16