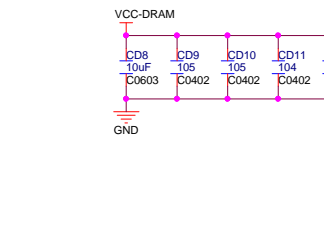
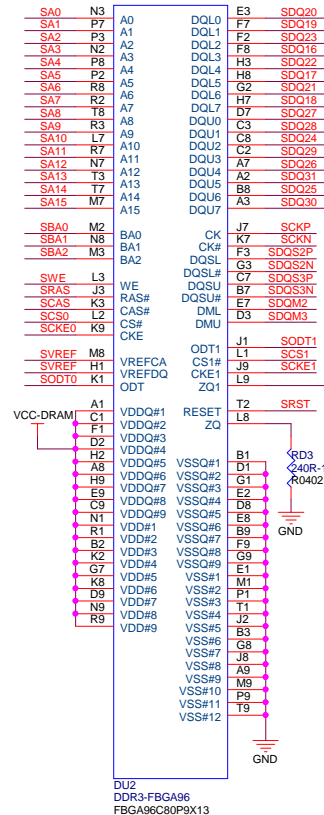
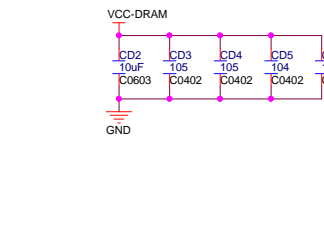
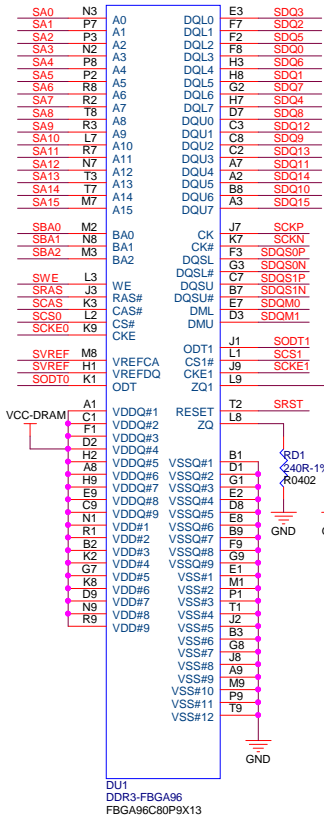
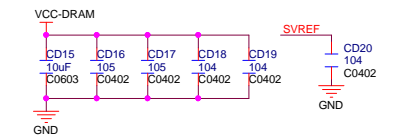
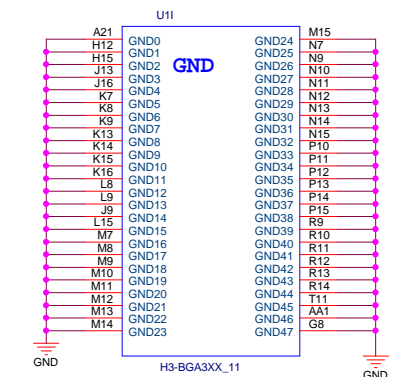
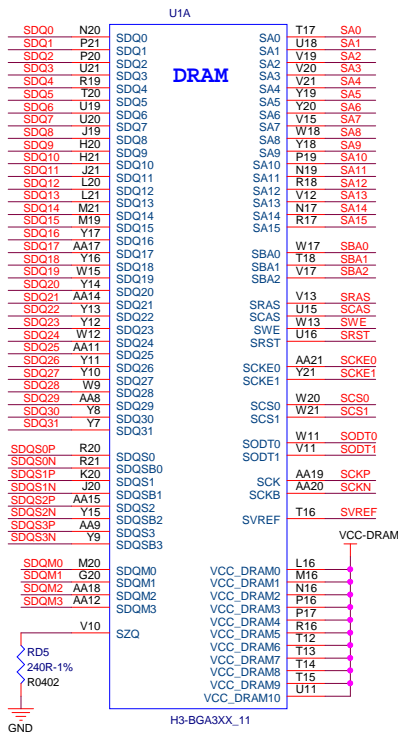
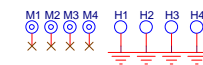


DDR3 16x2



SINOVOIP CO., LIMITED			
Design Name		BPI-M2-PLUS	
Size	Page Name	DDR3 16x2	
A3		Rev	V1.2
Date: Thursday, July 12, 2018		Sheet	1 of 13



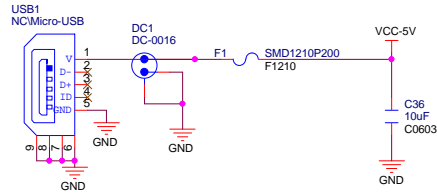
<http://www.benano-st.com>

POWER

PWR-STB <<<
PWR-DRAM <<<

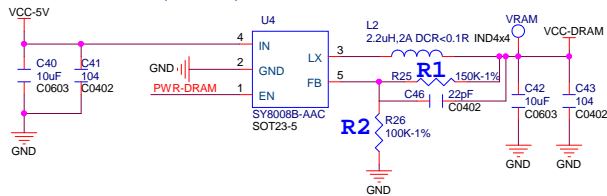
- VCC-IO
- VCC3V3-EPHY
- VCC3V3-HDMI
- VCC3V3-EFUSE
- VCC3V3-SDC
- VCC3V3-NAND
- VCC3V3-USB
- VCC3V3-AUDIO
- VCC3V3-UART
- VCC3V3-JTAGX
- VCC3V3-FELED
- VCC3V3-KEY
- VCC3V3-LED
- VCC-5V
- VCC5V-USB
- VCC5V-HDMI
- VCC5V-SPDIF
- VCC-1V2
- VDD1V2-SYS
- VDD1V1-EPHY
- VDD-CPUX
- VCC-DRAM
- VCC-RTC
- VCC3V3-IR
- VCC3V3-KEYPWR
- AVCC
- VCC3V3-PLL
- VCC3V3-TV

VCC-5V



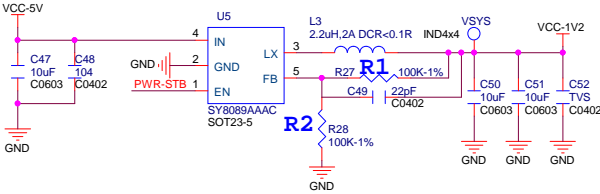
DRAM

DRAM 1.5V/1A
Vout = 0.6*(1+R1/R2)



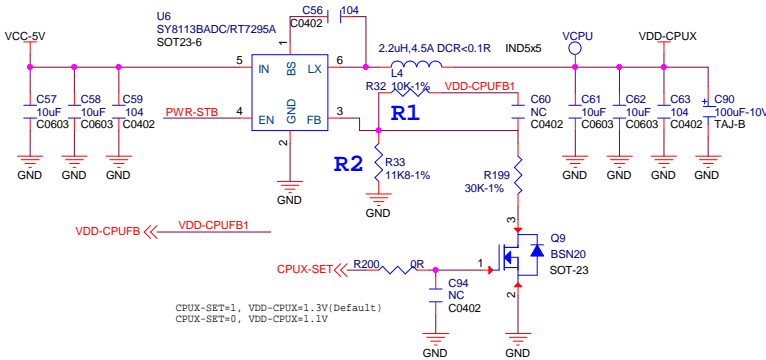
SYSTEM

SYSTEM 1.2V/2A
Vout = 0.6*(1+R1/R2)



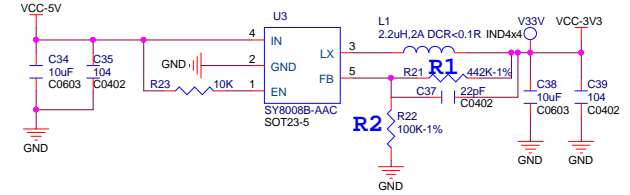
CPUX

CPUX 1.4V/3A
Vout = 0.6*(1+R1/R2)

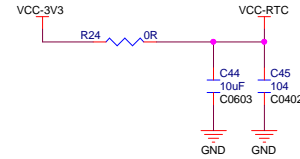


CPUX-SET=1, VDD-CPUX=1.3V(Default)
CPUX-SET=0, VDD-CPUX=1.1V

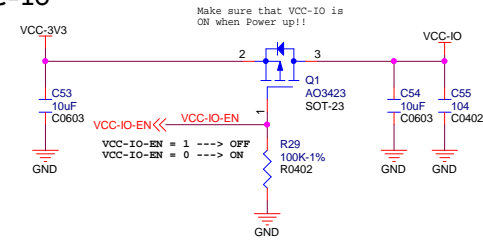
VCC3V3



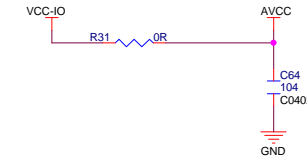
RTC




VCC-IO

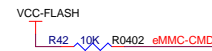
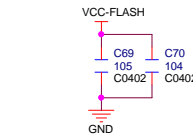
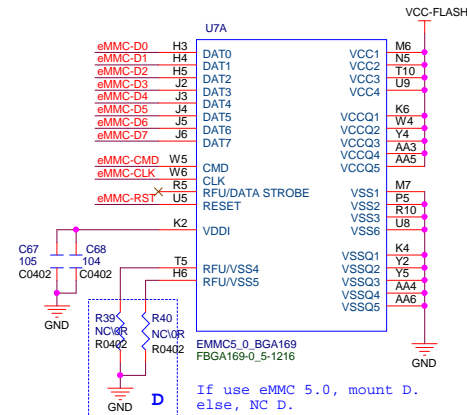
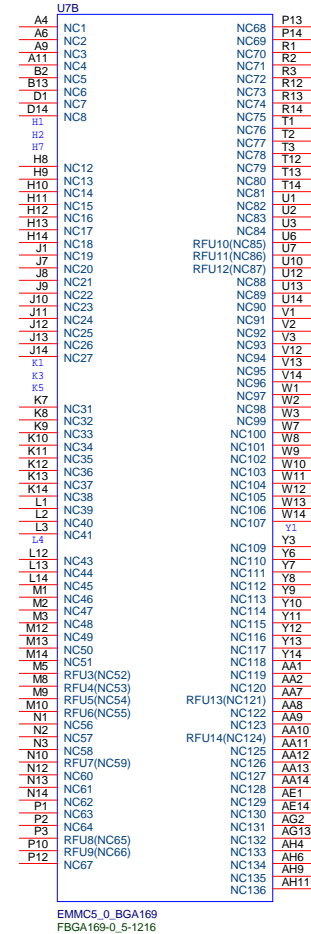
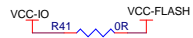
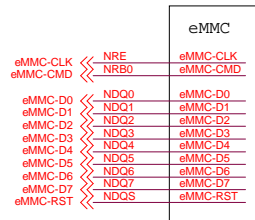
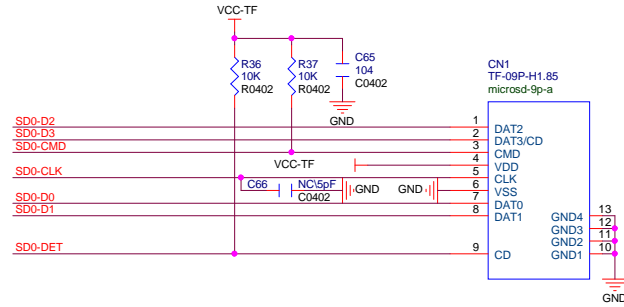
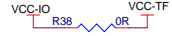


AVCC



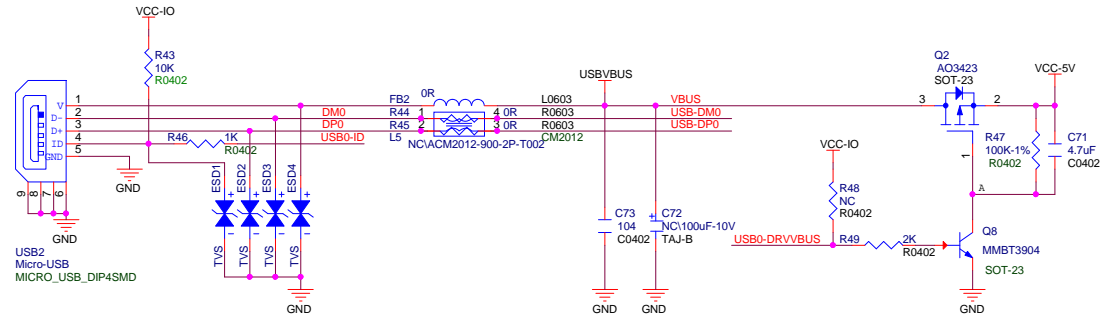
				SINOVOIP CO., LIMITED	
				Design Name BPI-M2-PLUS	
Size A3	Page Name POWER			Rev V1.2	
Date: Thursday, July 12, 2018		Sheet 3		of 13	

TF-eMMC

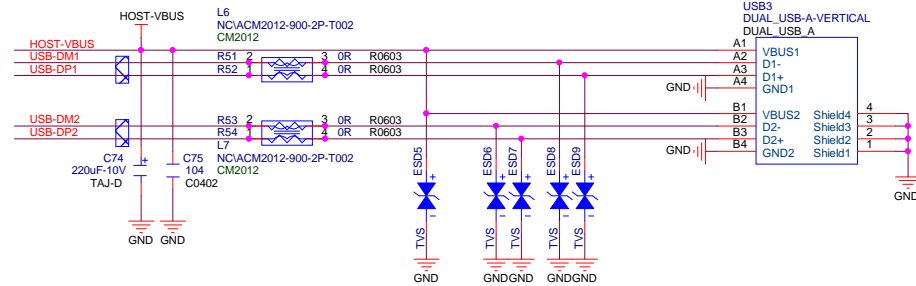
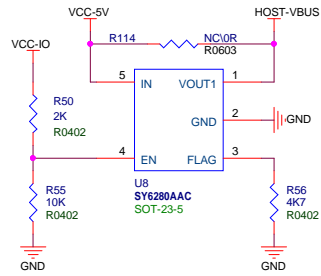


USB

USB-DM0
USB-DP0
USB0-DRVVBUS
USB0-ID



USB-DM1
USB-DP1
USB-DM2
USB-DP2



USB-DM3
USB-DP3



SDIO WIFI+BT

- UART1-CTS <<> BT-UART-RTS
- UART1-RTS <<> BT-UART-CTS
- UART1-RX <<> BT-UART-TX
- UART1-TX <<> BT-UART-RX

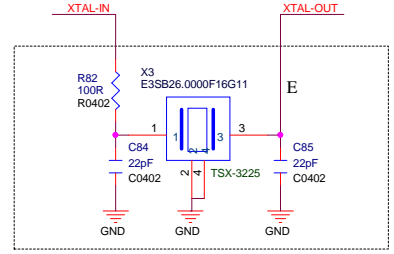
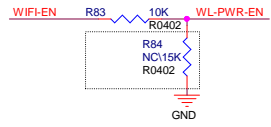
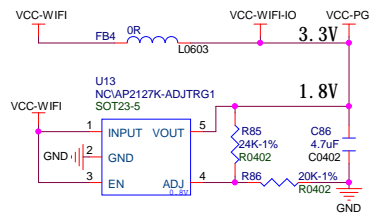
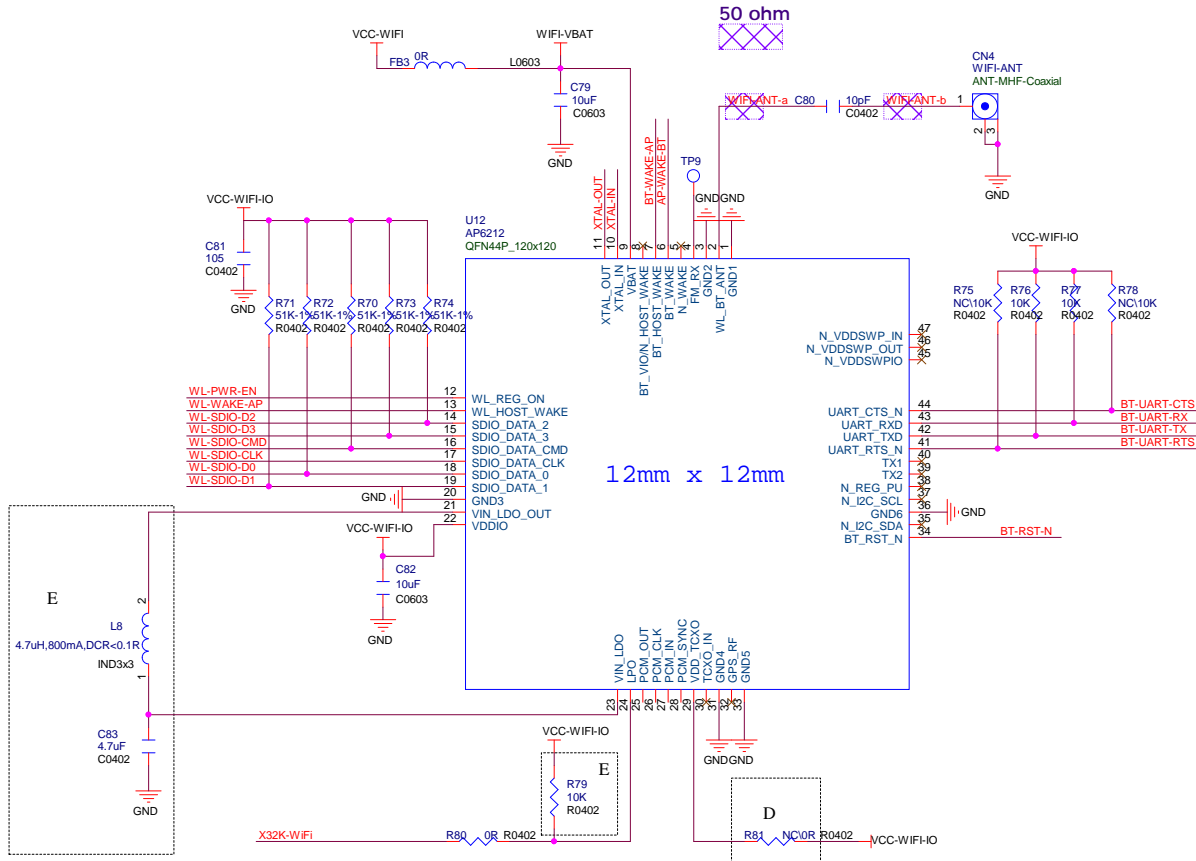
- WL-SDIO-D2 <<> _____
- WL-SDIO-D3 <<> _____
- WL-SDIO-CMD <<> _____
- WL-SDIO-CLK <<> _____
- WL-SDIO-D0 <<> _____
- WL-SDIO-D1 <<> _____

- WIFI-EN <<> WIFI-EN
- WL-WAKE-AP <<> _____

- BT-WAKE-AP <<> _____
- BT-RST-N <<> _____
- AP-WAKE-BT <<> _____

- X32K-WIFI <<> _____

- VCC-IO <<> _____
- VCC-WIFI <<> _____



EXT GPIO-IR-KEY-LED

