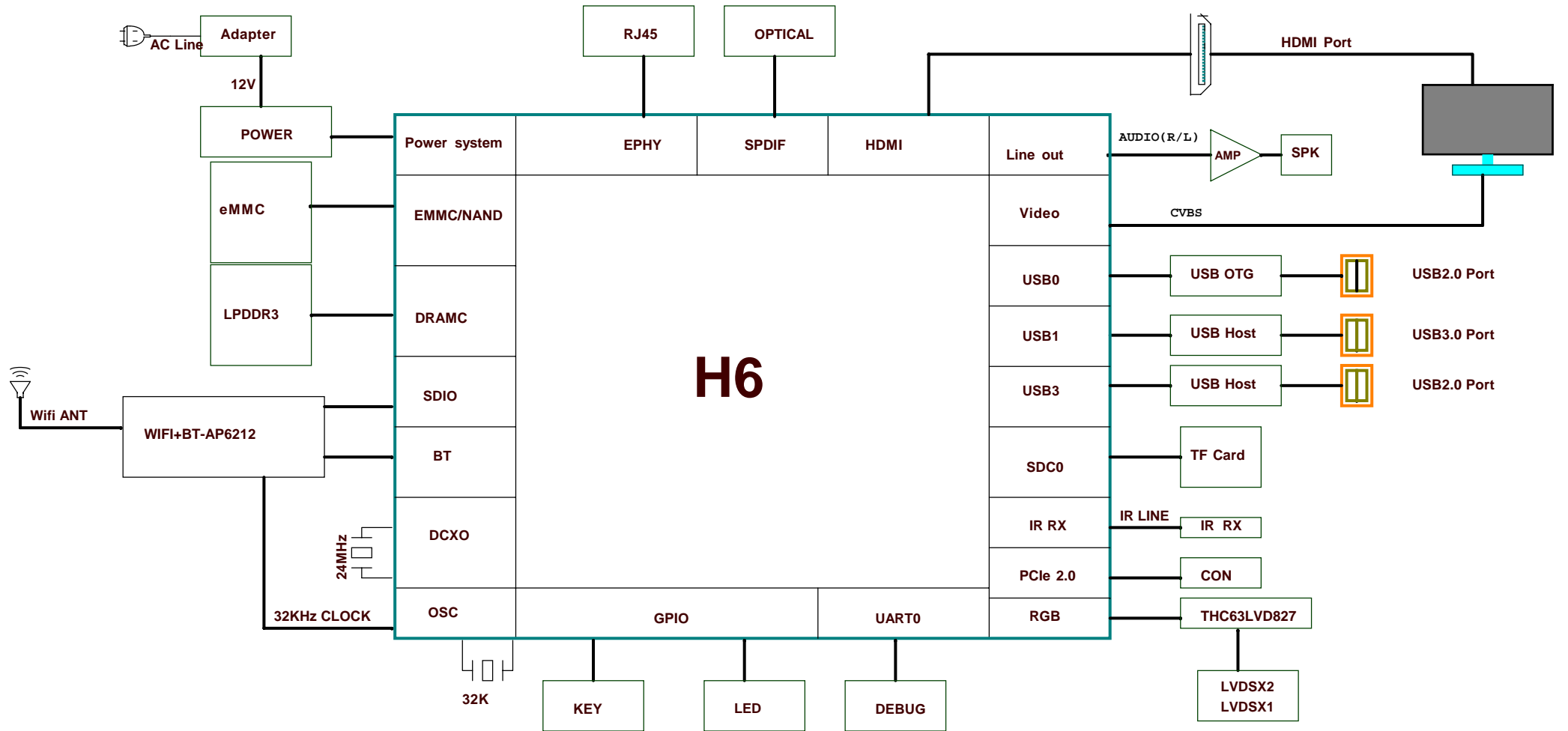
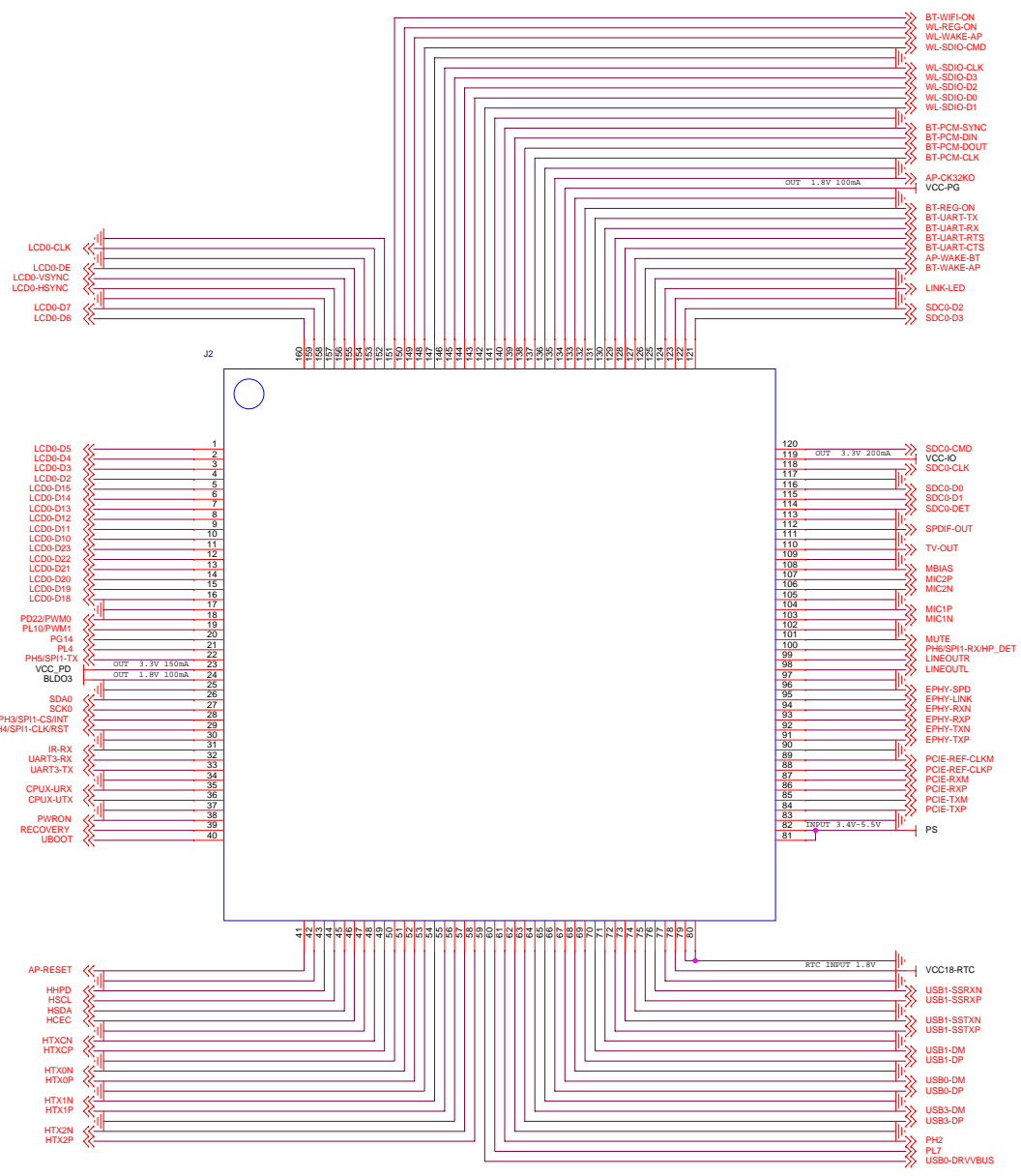
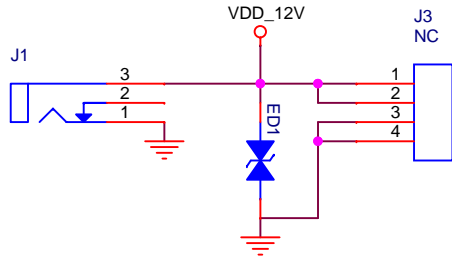


BLOCK

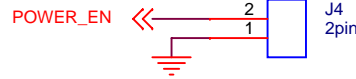




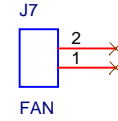
12V/24V



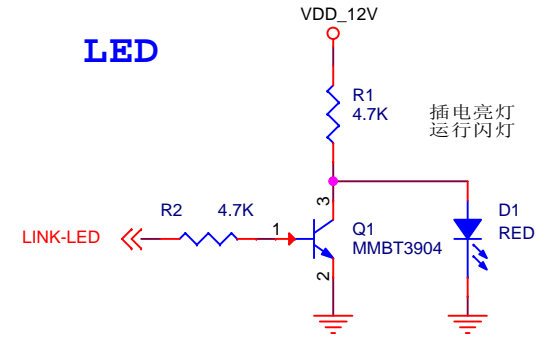
电源开关



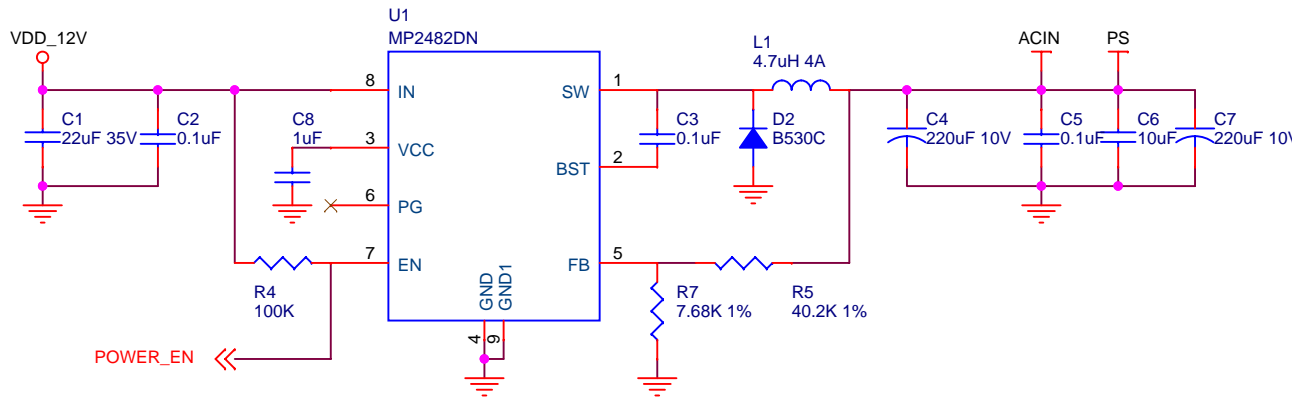
电源开关
短路 = 掉电关机
开路 = 上电开机



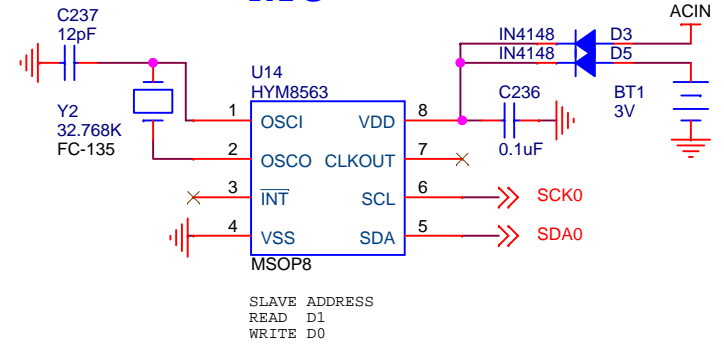
LED



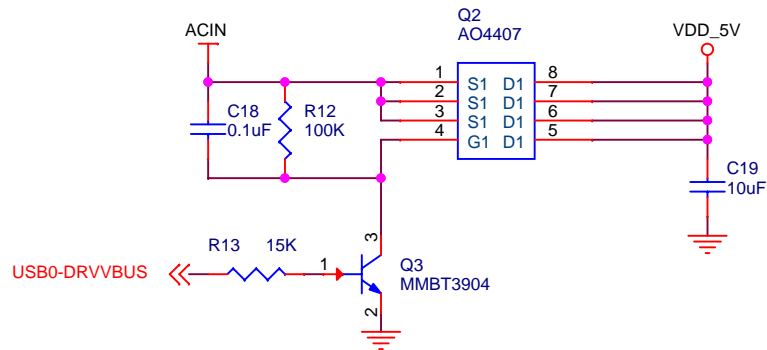
5V



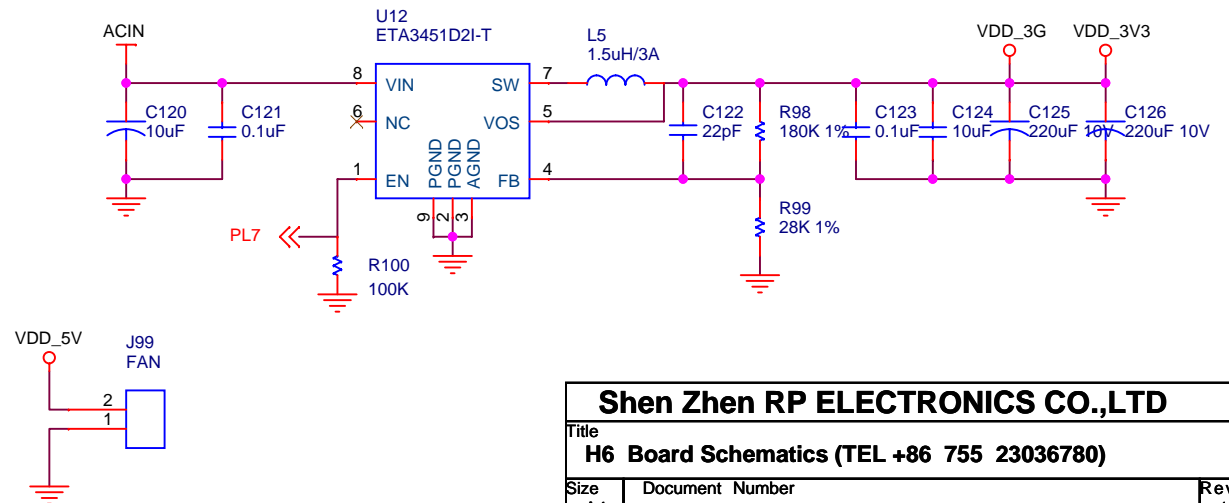
RTC



5V

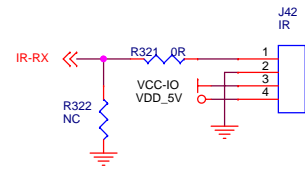
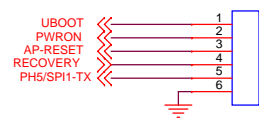
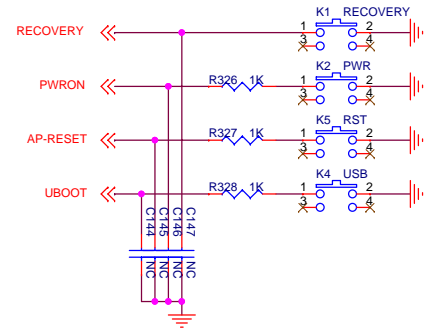
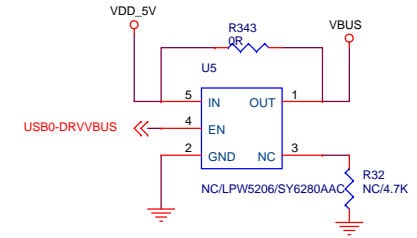
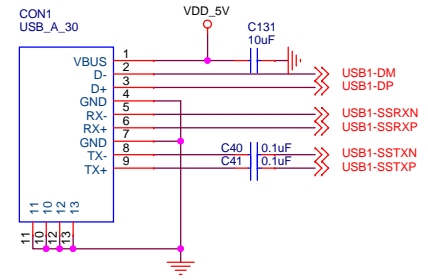
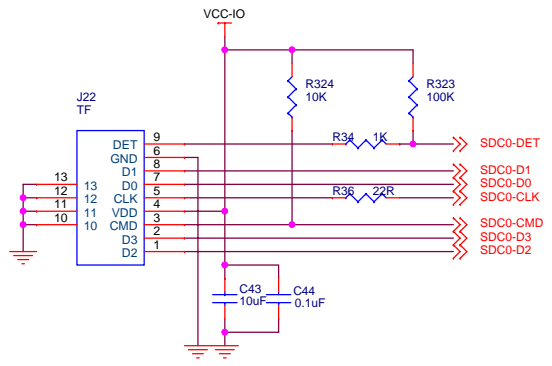
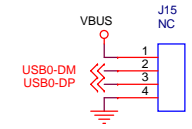
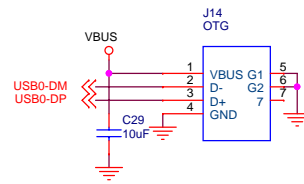
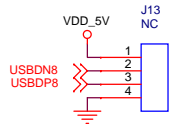
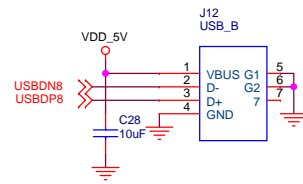
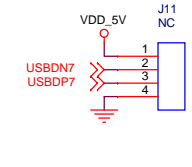
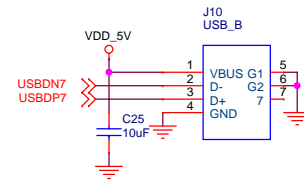
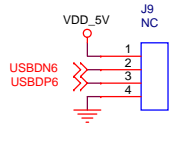
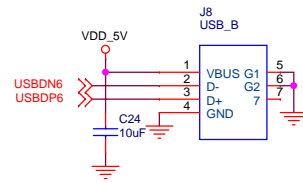
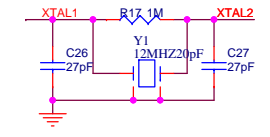
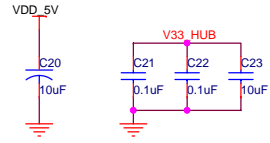
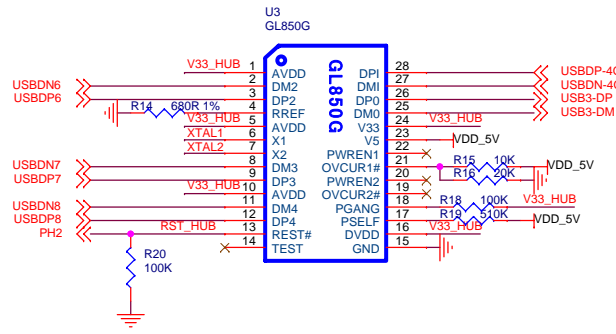


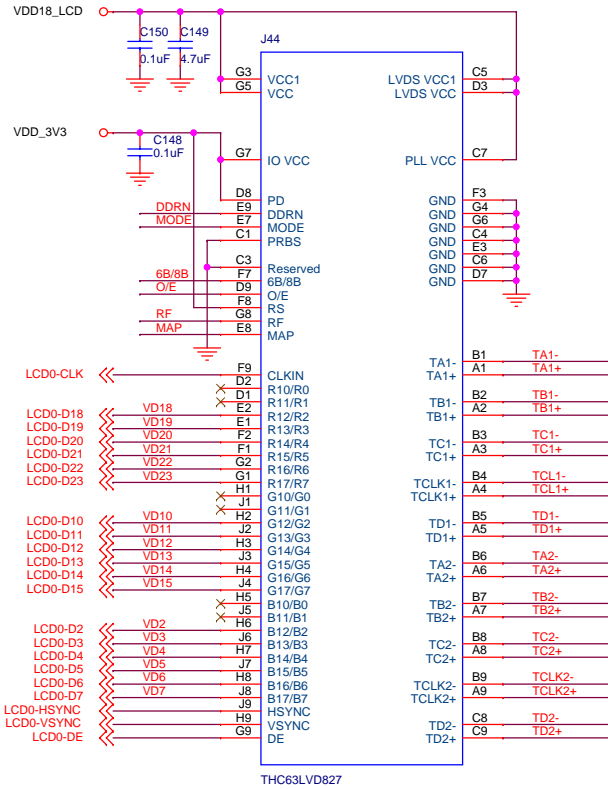
3.3V



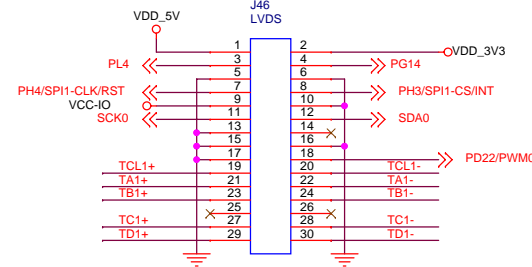
Shen Zhen RP ELECTRONICS CO.,LTD

Title		
H6 Board Schematics (TEL +86 755 23036780)		
Size	Document Number	Rev
A4	POWER	1.0
Date:	Tuesday, April 24, 2018	Sheet 2 of 10

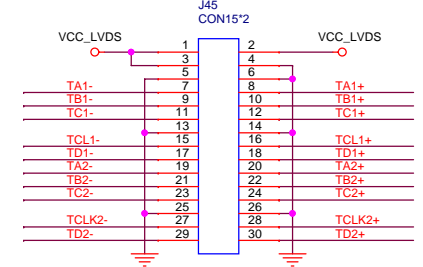




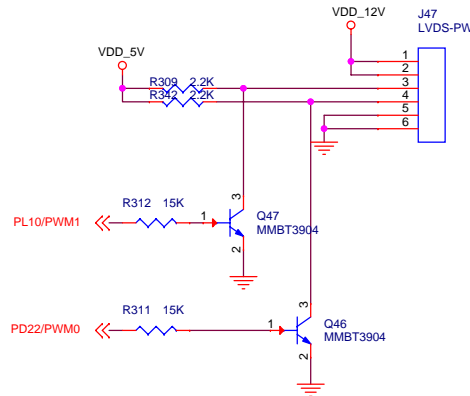
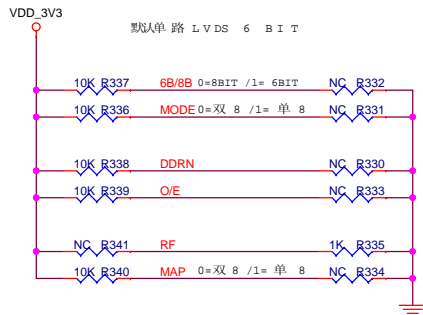
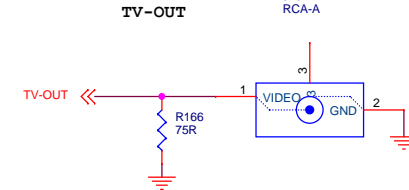
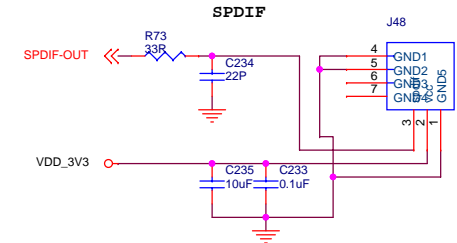
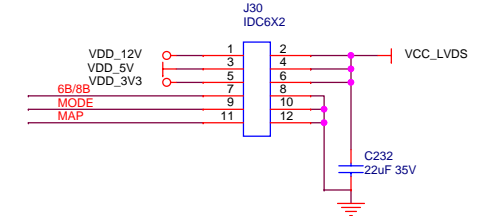
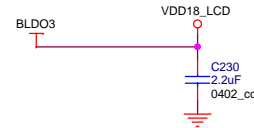
单 LVDS+TOUCH



双8 LVDS
最大1920X1080



1.8V



D

D

C

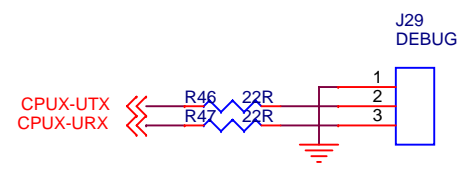
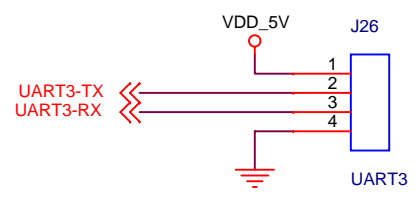
C

B

B

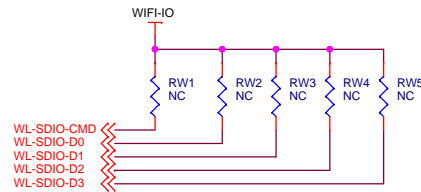
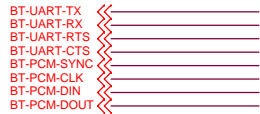
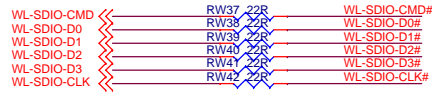
A

A



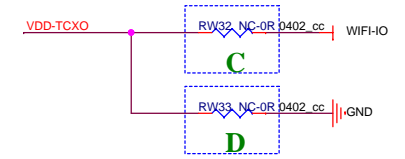
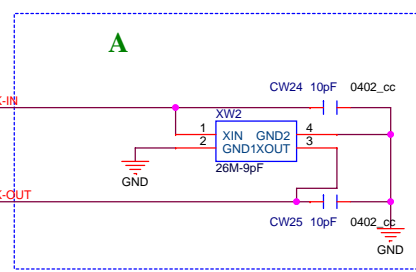
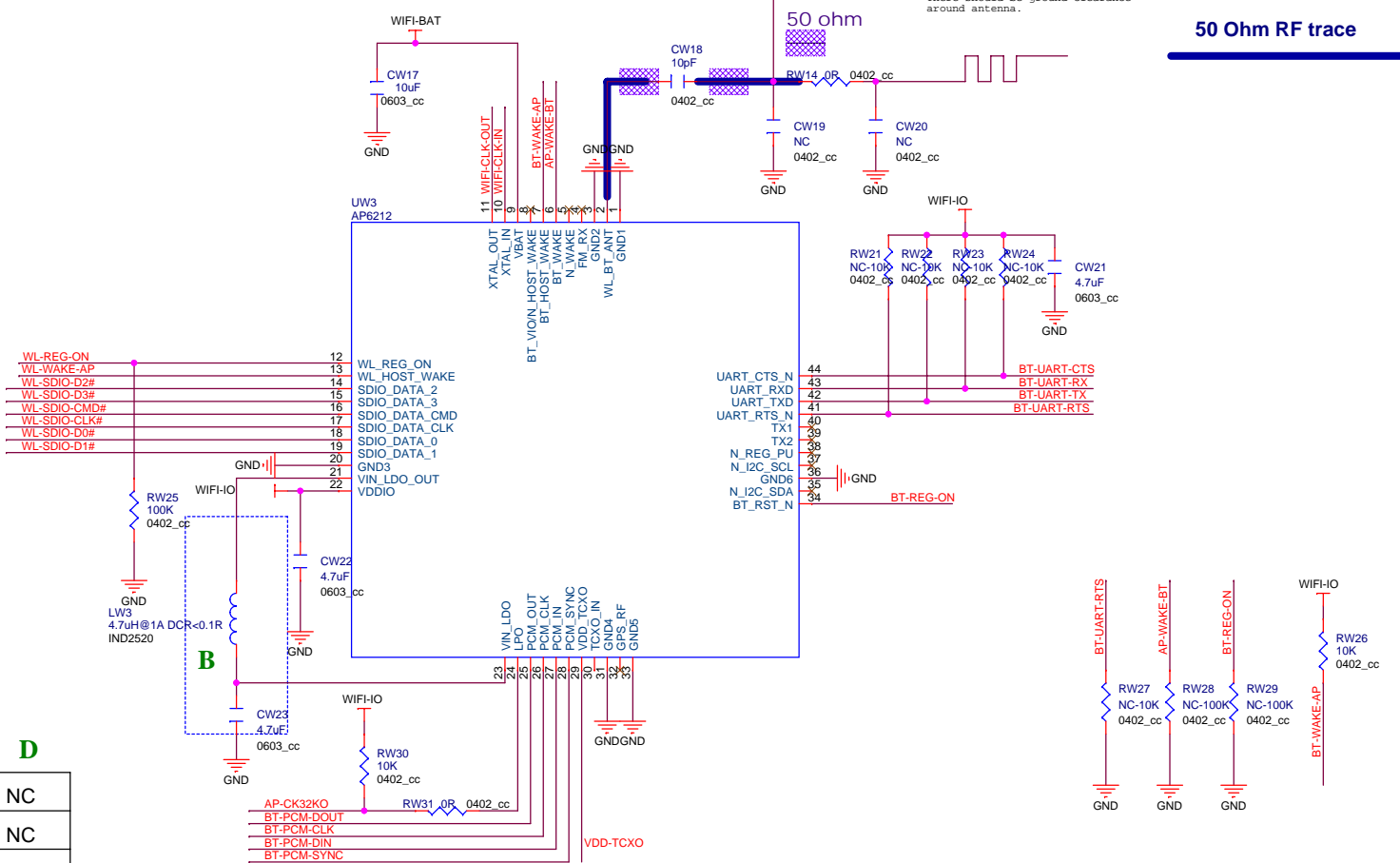
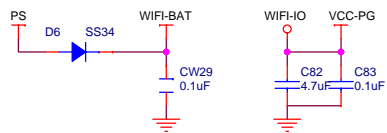
Shen Zhen RP ELECTRONICS CO.,LTD			
Title			
H6 Board Schematics (TEL +86 755 23036780)			
Size	Document Number		Rev
A4	UART		1.0
Date:	Tuesday, April 24, 2018	Sheet	5 of 10

WIFI+BT 1T1R



NOTE :

	A	B	C	D
AP6255	37.4M	mount	NC	NC
AP6212	26M	mount	NC	NC
RTL8189 FTV	NC	NC	NC	NC
RTL8723BS	NC	NC	NC	NC

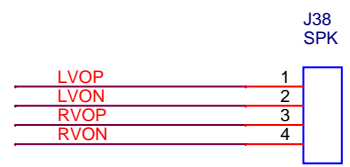
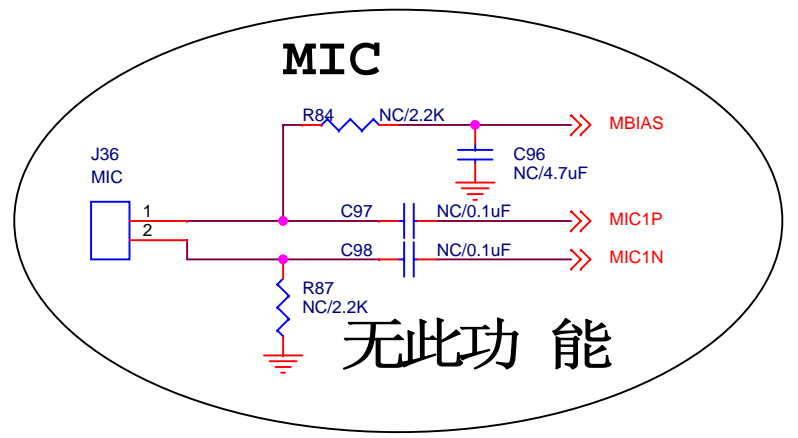
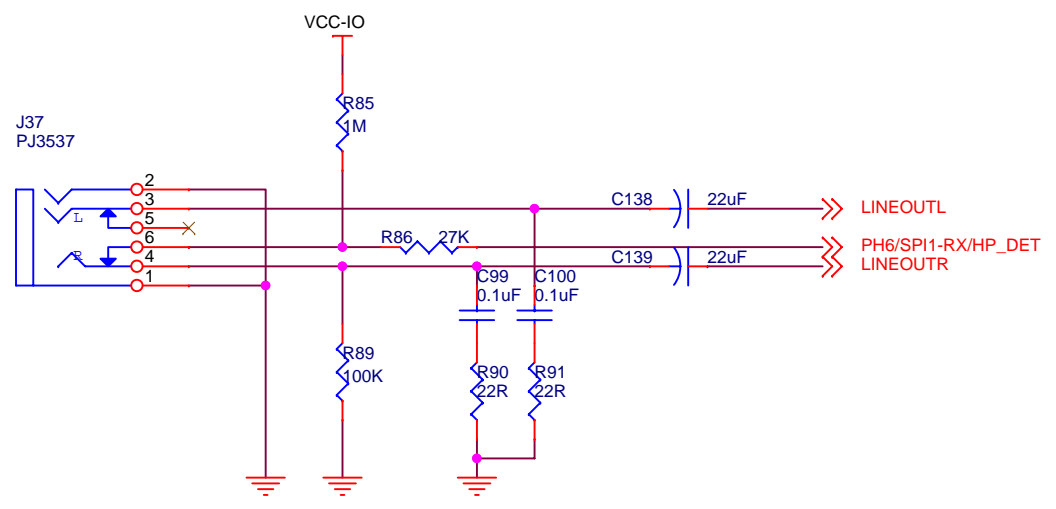
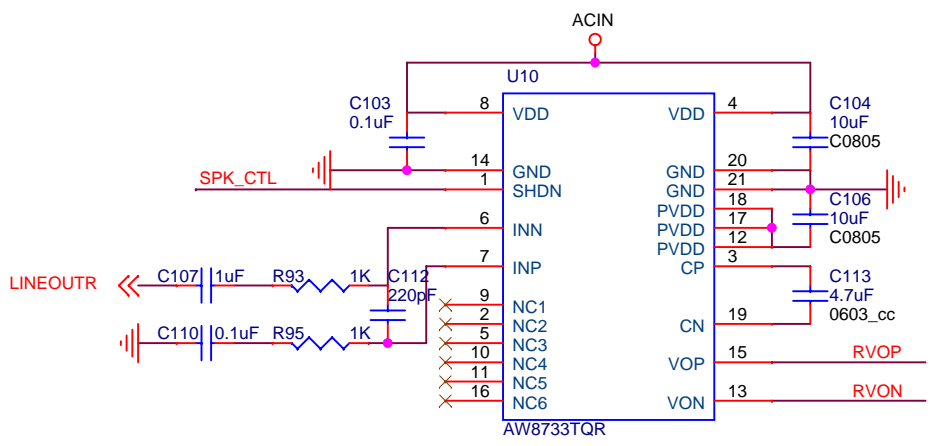
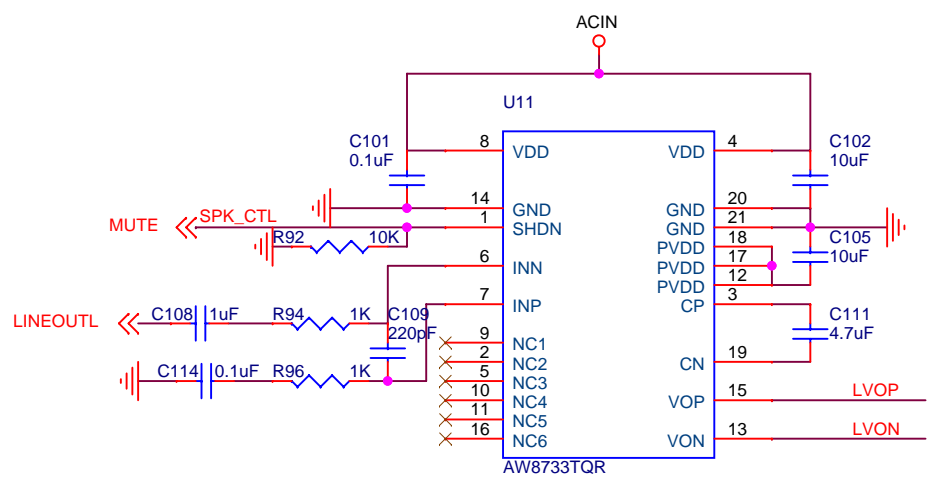


Shen Zhen RP ELECTRONICS CO.,LTD

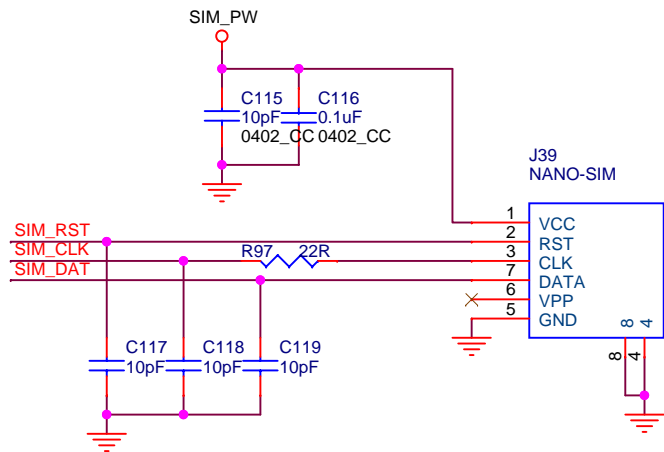
Title: **H6 Board Schematics (TEL +86 755 23036780)**

Size: A3 Document Number: **AP6356S** Rev: 1.0

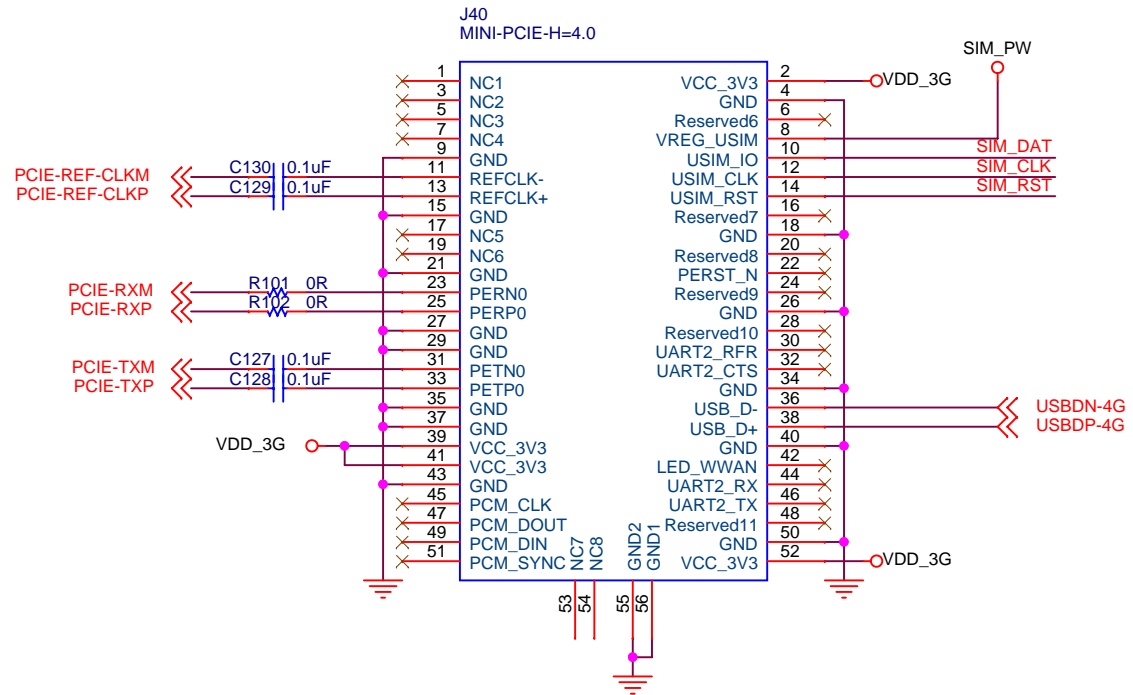
Date: Tuesday, April 24, 2018 Sheet: 6 of 10



NANO-SIM

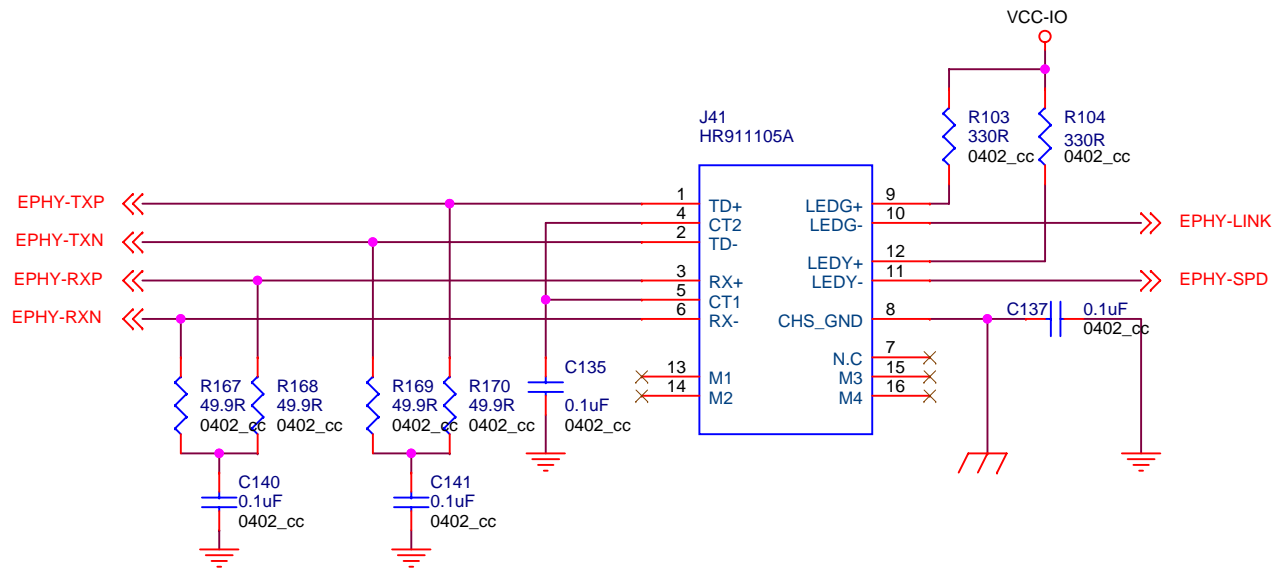


3G/4G PCIE BUS



Shen Zhen RP ELECTRONICS CO.,LTD

Title		
H6 Board Schematics (TEL +86 755 23036780)		
Size	Document Number	Rev
A4	PCIE	1.0
Date:	Tuesday, April 24, 2018	Sheet 8 of 10



Shen Zhen RP ELECTRONICS CO.,LTD

Title
H6 Board Schematics (TEL +86 755 23036780)

Size A4	Document Number ETH 10/100M	Rev 1.0
------------	---------------------------------------	------------

