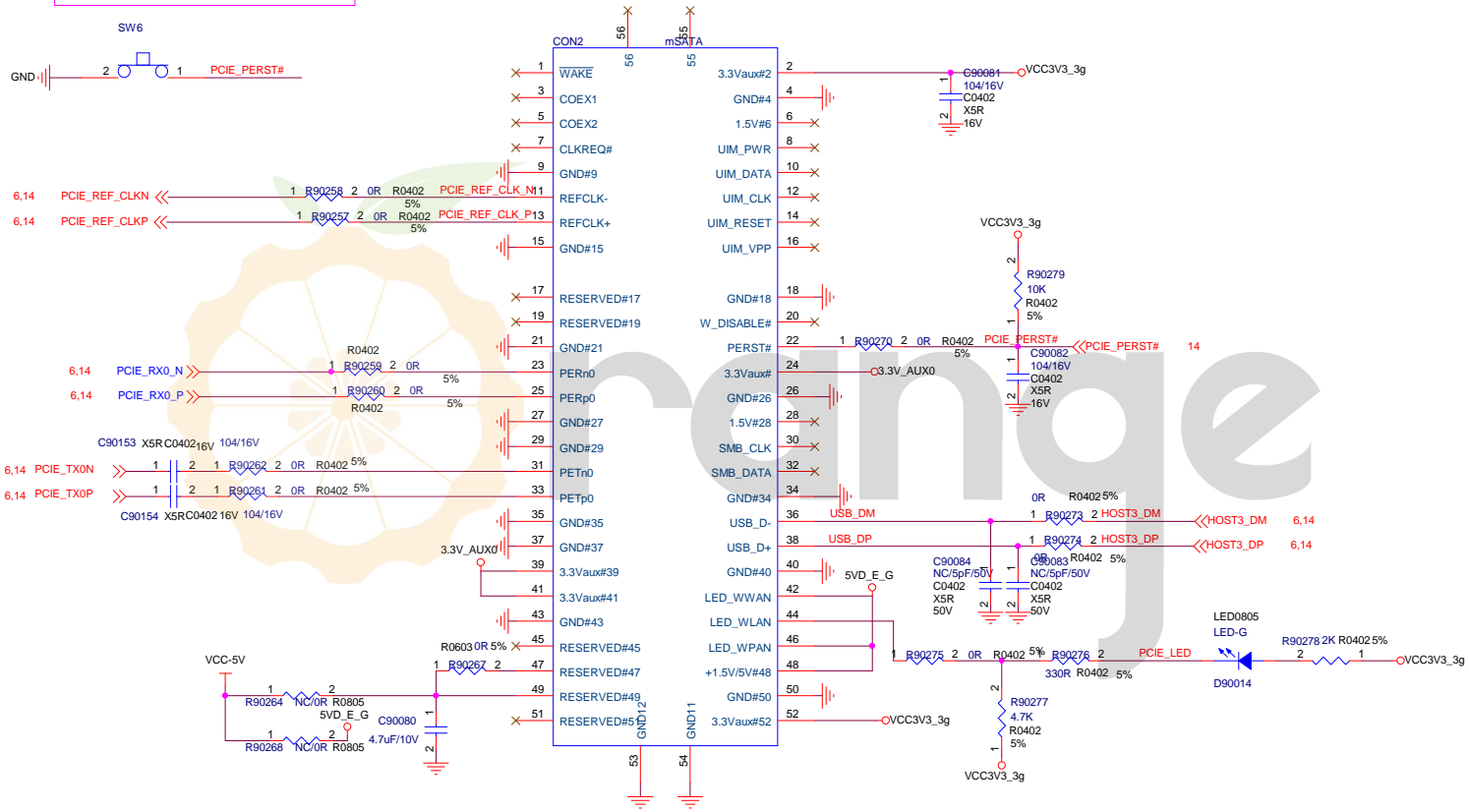
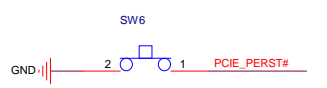
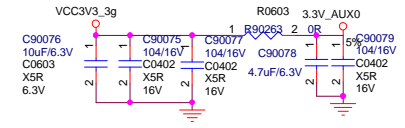
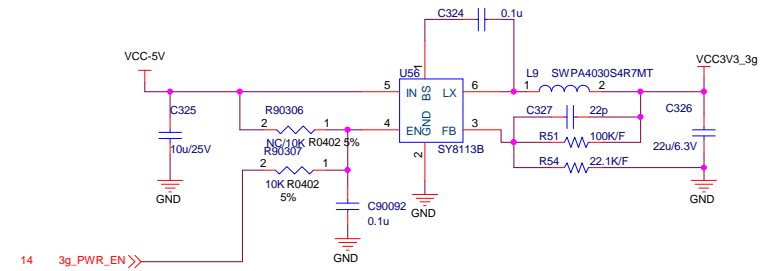
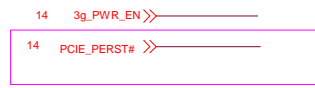
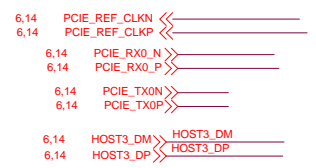
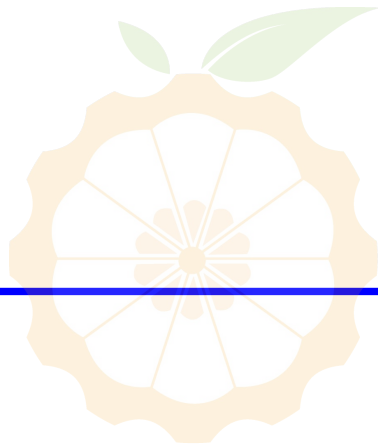
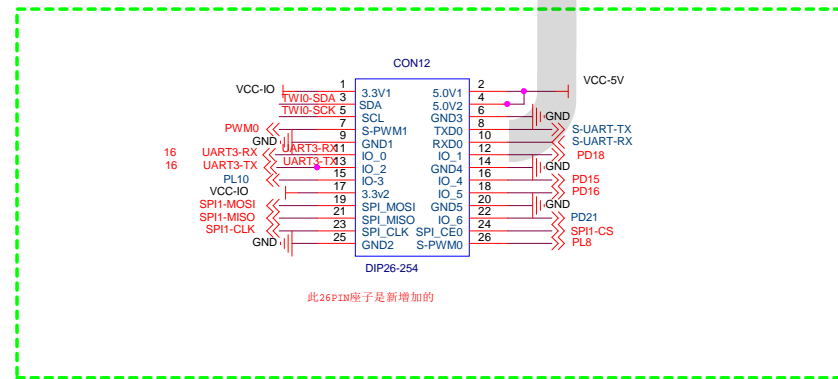


5 4 3 2 1





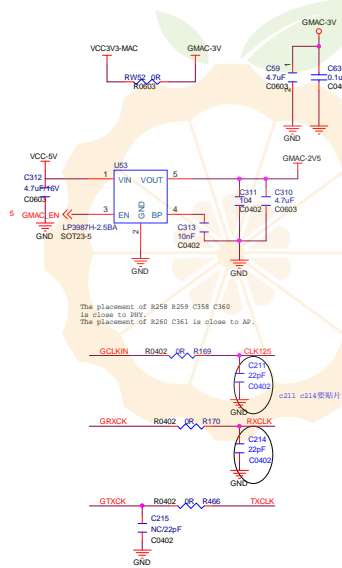
orange pi



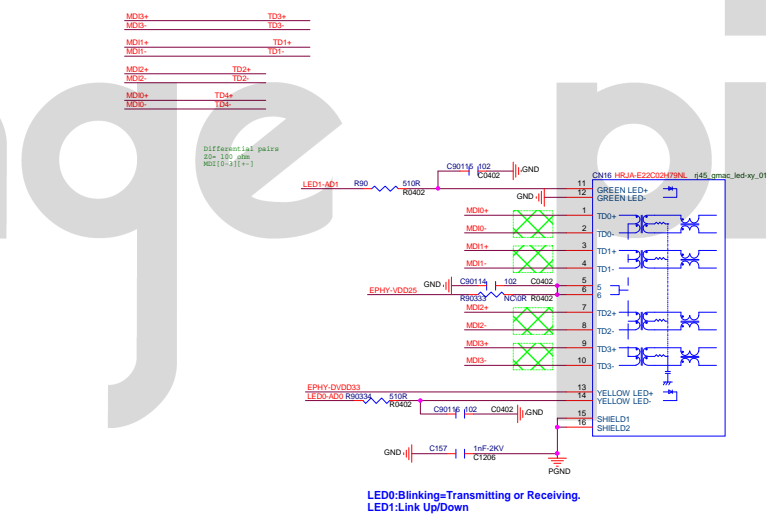
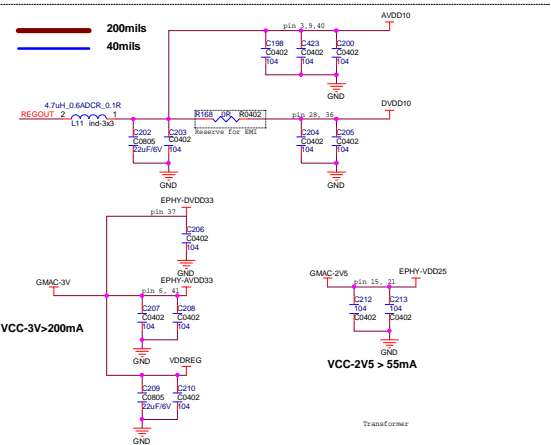
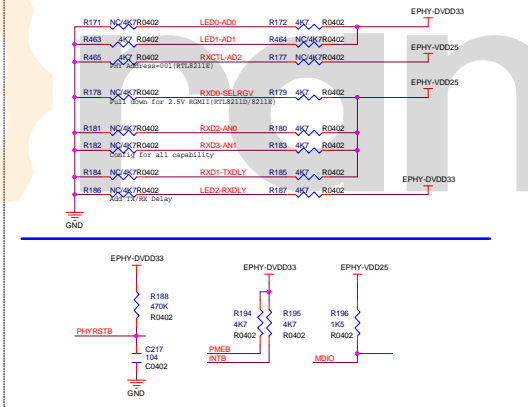
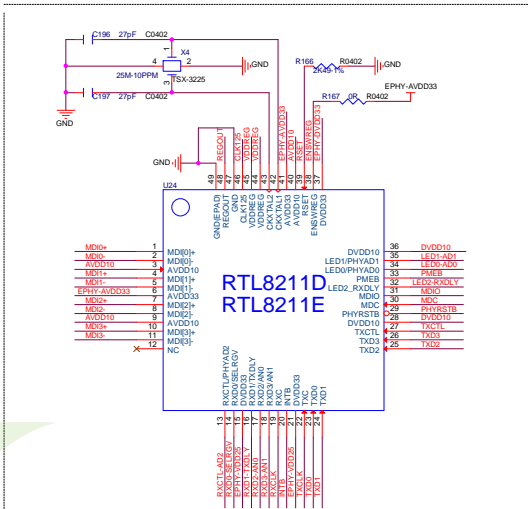
GMAC

10/100/1000 MII Ethernet PHY
EMC-M1

15.6	GTXD3	ETXD3	TXD3
15.6	GTXD2	ETXD2	TXD2
15.6	GTXD1	ETXD1	TXD1
15.6	GTXD0	ETXD0	TXD0
15.6	GTXTL	ETXEN	TXCTL
6	GTXXCK	ETXCK	TXXXCK
15.6	GRXD3	ERXD3	RXD3[AN]
15.6	GRXD2	ERXD2	RXD2[AN]
15.6	GRXD1	ERXD1	RXD1[TXL]
15.6	GRXD0	ERXD0	RXD0[SERV]
15.6	GRXTL	ERXDV	RXTL[AD2]
15.6	GRXXCK	ERXXCK	GRXXCK
15.6	GCLKN	ECOLN	GCLKN
15.6	GMDC	EMDC	MDC
15.6	GMKD	EMKD	MKD
15.6	GMKD	EMKD	MKD
5	RGM-RESET	PHYRSTB	



The placement of R258 R259 C358 C360 is close to PHY.
The placement of R260 C361 is close to AP.

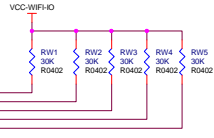


LED0: Blinking=Transmitting or Receiving.
LED1: Link Up/Down

WIFI+BT

5.17
5.17
5.17
5.17
5.17
5

WL_SDO_CMD
WL_SDO_DD
WL_SDO_D1
WL_SDO_D2
WL_SDO_D3
WL_SDO_CLK



5.17
5.17
5.17
5
5
5
5

BT_UART_TX
BT_UART_RX
BT_UART_RTS
BT_UART_CTS
BT_PCM_SYNC
BT_PCM_CLK
BT_PCM_DIN
BT_PCM_DOUT

Note:

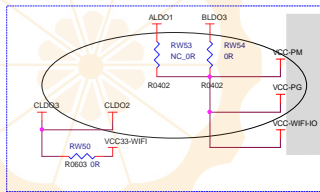
AP6181: 贴 B+E, 不贴 A+C+D+F
S7238S: 贴 F, 不贴 A+B+C+D+E
AP6330/6355: Mount B+C+E, NCA+D+F

5
5.17
5.17
5
6.17

BT_REG_ON
WL_WAKE_AP
BT_WAKE_AP
AP_WAKE_BT
AP-CK32K0
AP-CK32K0

5

WL_REG_ON
WIFI_EN



RW51 RW45 RW46 RW50 RW52 RW53

不带蓝牙遥控	IO为1.8V	NC	NC	NC	0R	NC	0R
	IO为3.3V	NC	NC	NC	0R	0R	NC
带蓝牙遥控	IO为1.8V	0R	NC	NC	0R	NC	NC
	IO为3.3V	0R	0R	0R	NC	NC	NC

