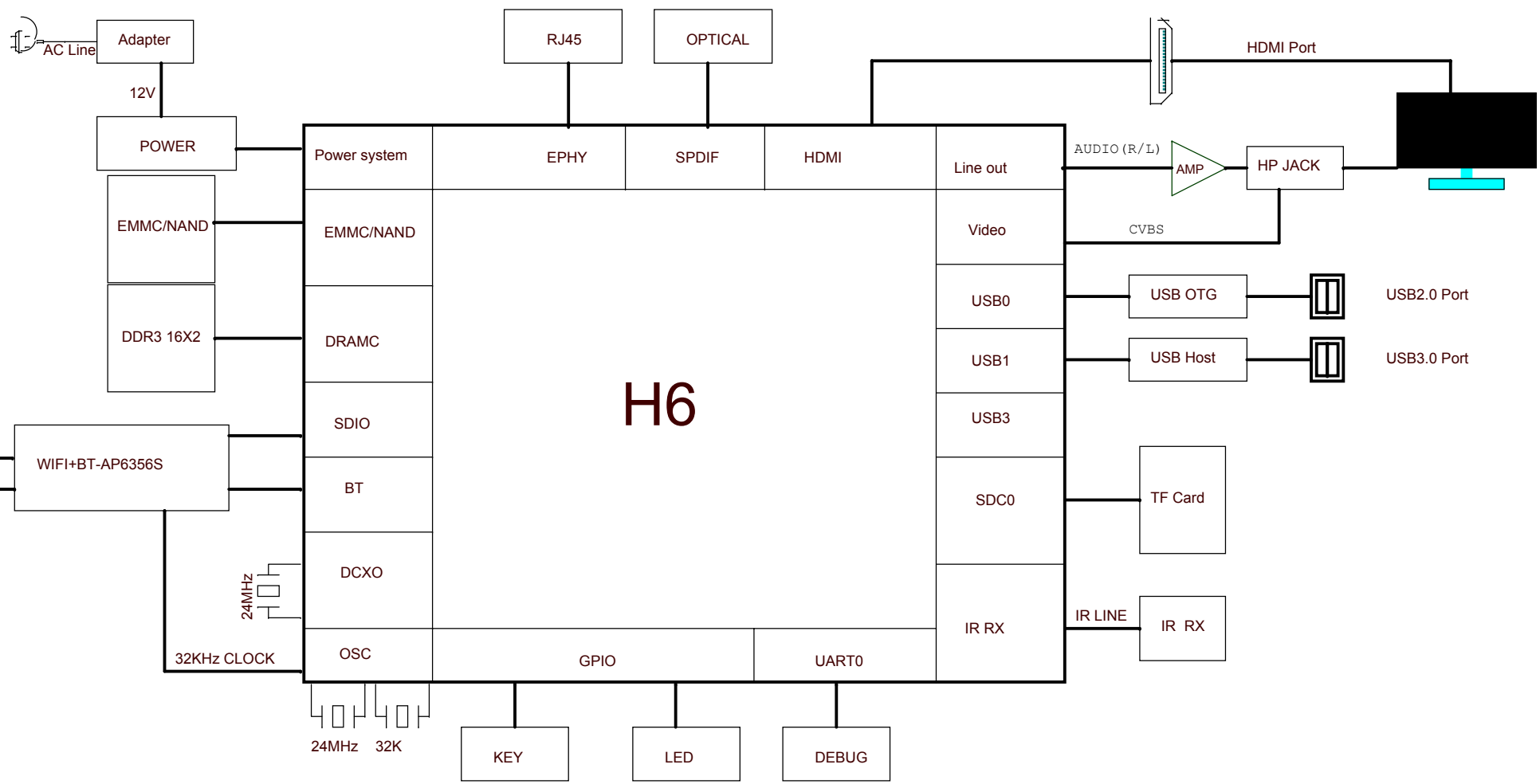


# REVISION HISTORY

Revision	Description	Date	Drawn	Checked
Ver 0.5	Initial Version	2016-12-26	HJ	
Ver 0.8		2017-04-10	HJ	

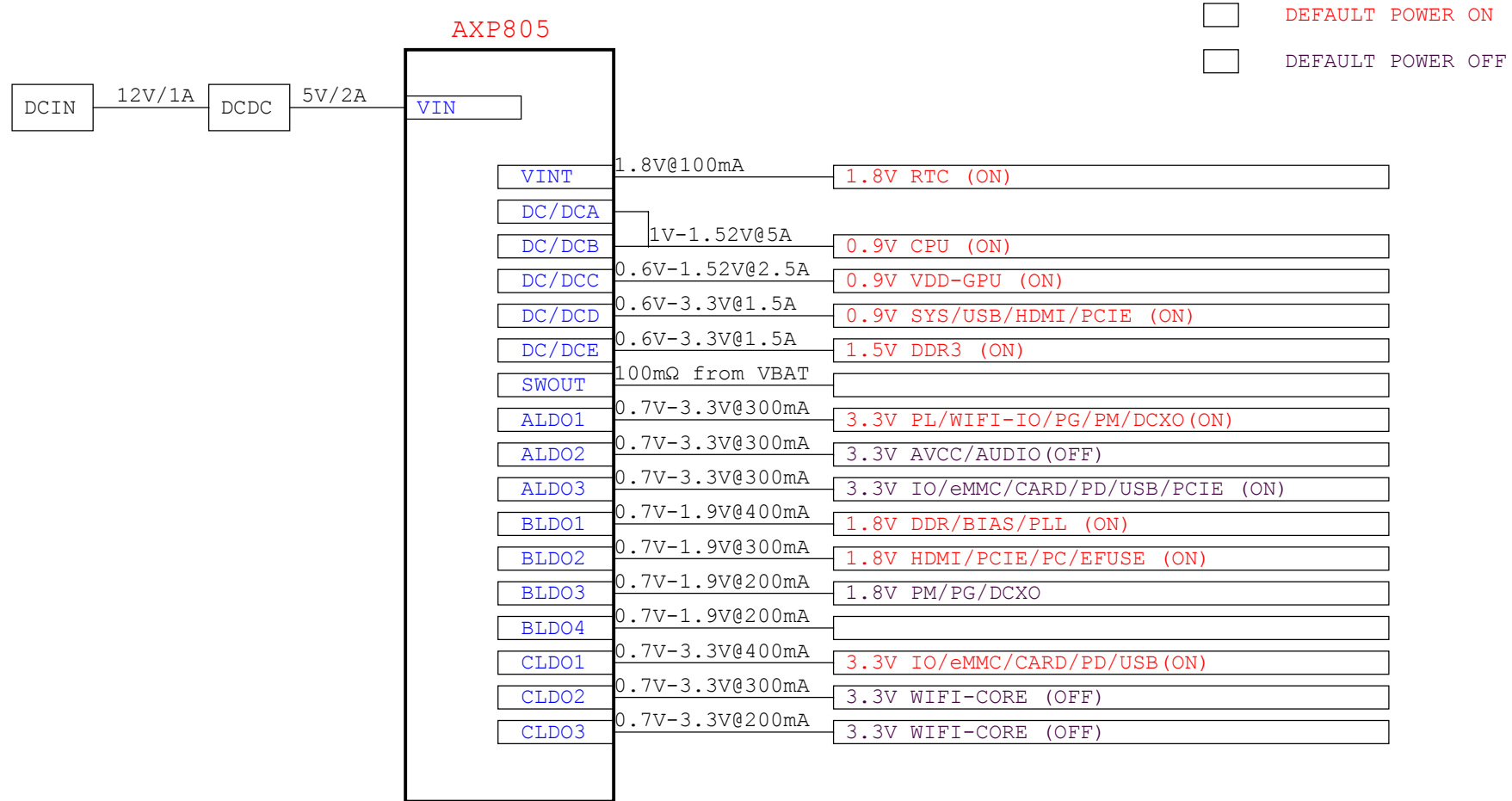
## Schematics Index:

- P01: REVISION HISTORY
- P02: BLOCK
- P03: POWER TREE
- P04: GPIO ASSIGNMENT
- P05: SOC1
- P06: SOC2
- P07: DDR3 16X2
- P08: POWER
- P09: NAND-eMMC
- P10: CARD-USB-IR-SPDIF
- P11: KEY-LED-ETH-DEBUG
- P12: AV-HDMI
- P13: WIFI-BT 2T2R
- P14: WIFI-BT 1T1R



AllWinner Technology Co.,Ltd			
Design Name		H6-PROTO	
Size	Page Name	Rev	
A3	BLOCK	<RevCode>	
Date:	Friday, November 24, 2017	Sheet	2 of 14

# POWER TREE



# GPIO ASSIGNMENT

4

3

2

1

PIN	Define	CFG	Function
PC0	NAND_WE	2	NAND/eMMC
PC1	NAND_ALE/SDC2_DS	2/3	
PC2	NAND_CLE	2	
PC3	NAND_CE0	2	
PC4	NAND_RE/SDC2_CLK	2/3	
PC5	NAND_RB0/SDC2_CMD	2/3	
PC6	NAND_DQ0/SDC2_D0	2/3	
PC7	NAND_DQ1/SDC2_D1	2/3	
PC8	NAND_DQ2/SDC2_D2	2/3	
PC9	NAND_DQ3/SDC2_D3	2/3	
PC10	NAND_DQ4/SDC2_D4	2/3	
PC11	NAND_DQ5/SDC2_D5	2/3	
PC12	NAND_DQ6/SDC2_D6	2/3	
PC13	NAND_DQ7/SDC2_D7	2/3	
PC14	NAND_DQS/SDC2_RST	2/3	
PC15	NAND_CE1	2	
PC16	NAND_RB1	2	

PIN	Define	CFG	Function
PD0			
PD1			
PD2			
PD3			
PD4			
PD5			
PD6			
PD7			
PD8			
PD9			
PD10			
PD11			
PD12			
PD13			
PD14			

PIN	Define	CFG	Function
PD15			
PD16			
PD17			
PD18			
PD19			
PD20			
PD21			
PD22			
PD23			
PD24			
PD25			
PD26			

PIN	Define	CFG	Function
PG0	SDC1_CLK	2	WIFI+BT
PG1	SDC1_CMD	2	
PG2	SDC1_D0	2	
PG3	SDC1_D1	2	
PG4	SDC1_D2	2	
PG5	SDC1_D3	2	
PG6	UART1_TX	2	
PG7	UART1_RX	2	
PG8	UART1_RTS	2	
PG9	UART1_CTS	2	
PG10	PCM2_SYNC	2	
PG11	PCM2_CLK	2	
PG12	PCM2_DOUT	2	
PG13	PCM2_DIN	2	
PG14			

PIN	Define	CFG	Function
PF0	SDC0_D1	2	CARD0
PF1	SDC0_D0	2	
PF2	SDC0_CLK/UART0_TX	2/3	
PF3	SDC0_CMD	2	
PF4	SDC0_D3/UART0_RX	2/3	
PF5	SDC0_D2	2	
PF6	SDC0-DET	2	

PIN	Define	CFG	Function
PH0	CPUX-UTX	2	HDMI
PH1	CPUX-URX	2	
PH2			
PH3			
PH4			
PH5			
PH6			
PH7	SPDIF_OUT	3	
PH8	HSCL	2	
PH9	HSDA	2	
PH10	HCEC	2	

PIN	Define	CFG	Function
PL0	PMU-SCK	3	WIFI+BT
PL1	PMU-SDA	3	
PL2	RECOVERY	2	
PL3	LINK-LED	1	
PL4	PWR-LED	1	
PL5	USB0-DRVVBUS	1	
PL6	MUTE	1	
PL7	STATUS-LED	1	
PL8			
PL9	IR-RX	2	
PL10	BT-WIFI-ON	1	
PM0	WL-WAKE-AP	0	
PM1	BT-WAKE-AP	0	
PM2	AP-WAKE-BT	1	
PM3	WL-REG-ON	1	
PM4	BT-REG-ON	1	

5

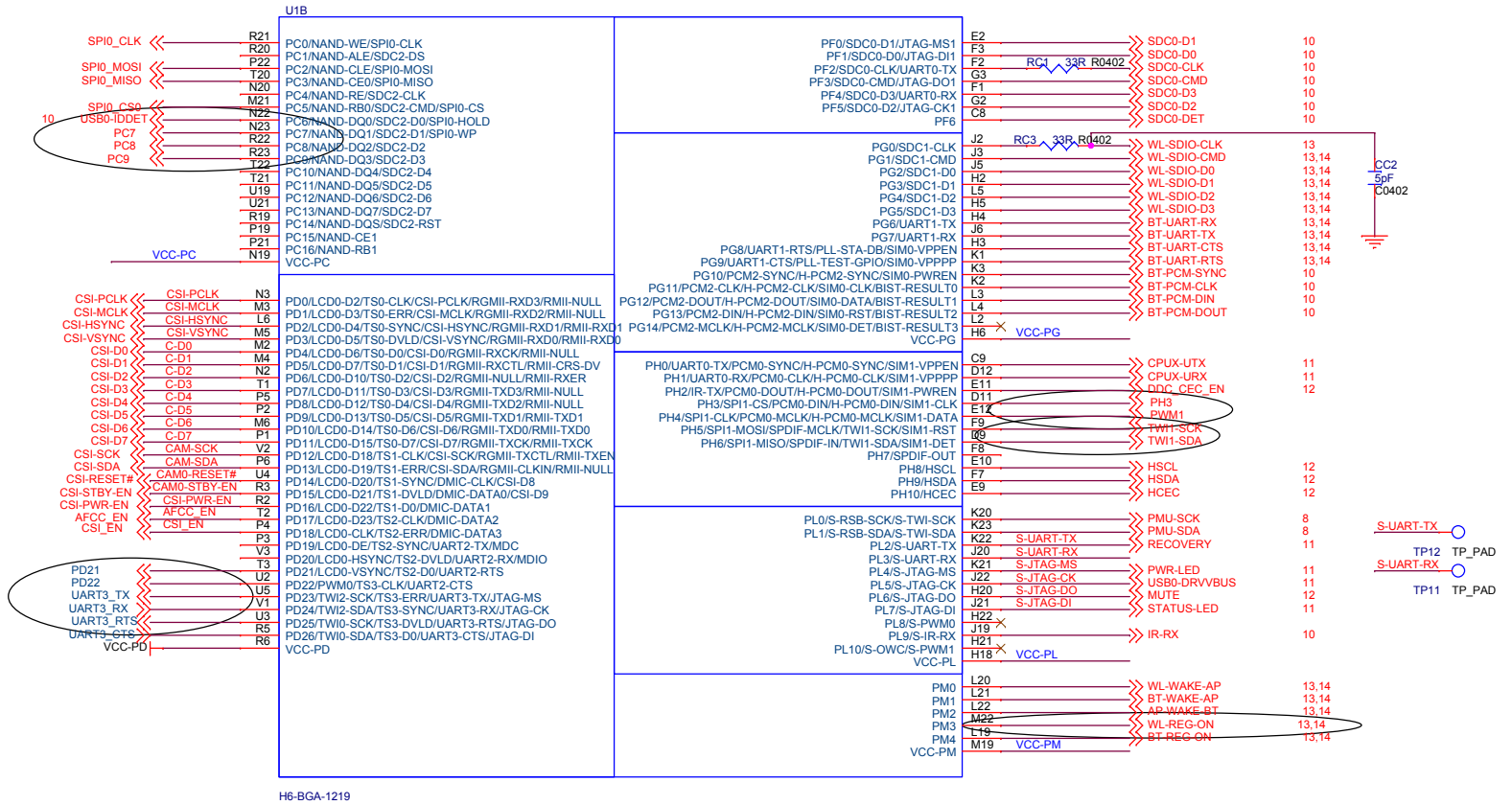
4

3

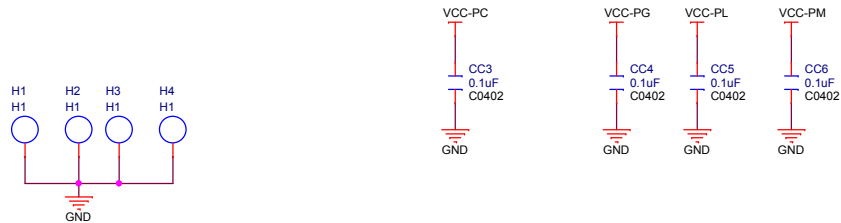
2

1

PC,PD, 部分IO口不具备中断功能  
PF,PG,PH,PL,PM, 部分IO口有中断功能

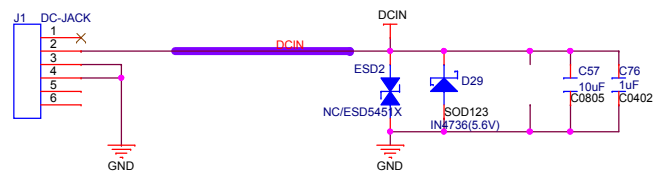


H6-BGA-1219



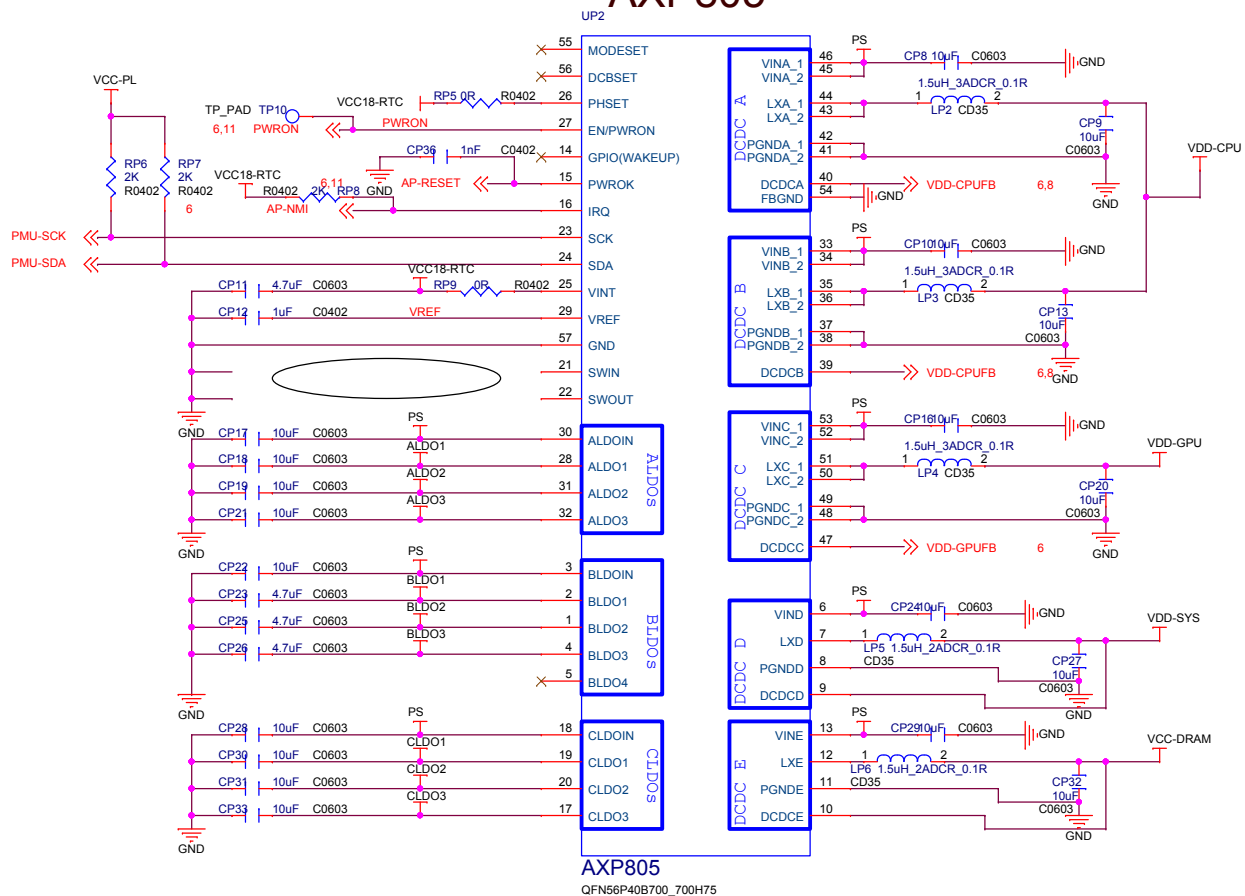
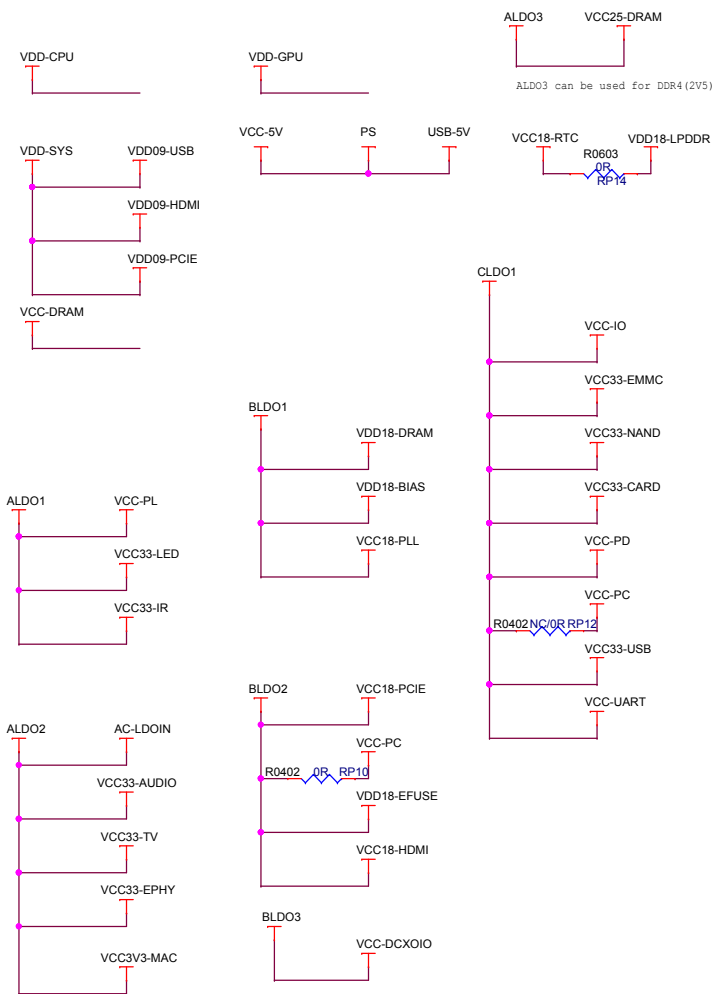






# PMIC

## AXP805



AXP805  
QFN56P40B700\_700H75

AllWinner Technology Co., Ltd			
Design Name			
H6-PROTO			
Size	Page Name	Rev	
A3	POWER	<RevCode>	
Date:	Friday, November 24, 2017	Sheet	8 of 14



eMMC

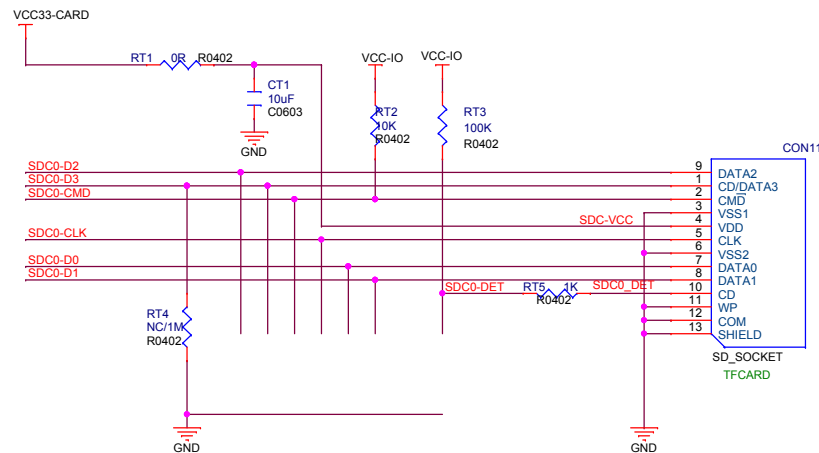
NAND

AllWinner Technology Co.,Ltd			
Design Name		H6-PROTO	
Size	Page Name	Rev	<RevCode>
A3	NAND-eMMC		
Date:	Friday, November 24, 2017	Sheet	9 of 14

# SPDIF

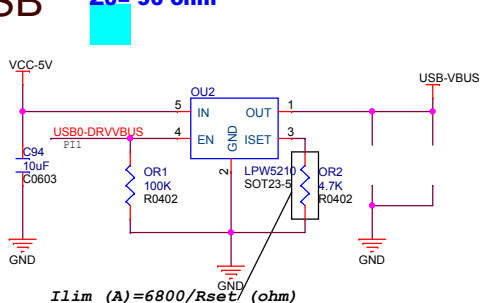
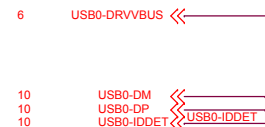


# CARD

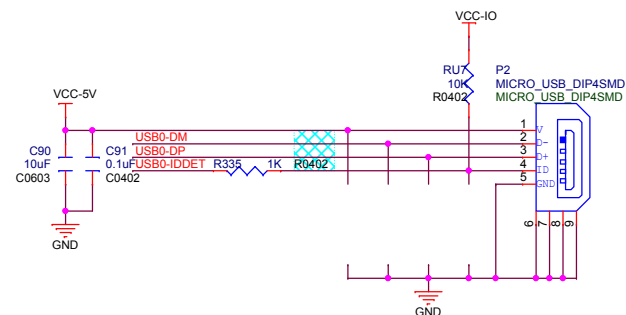
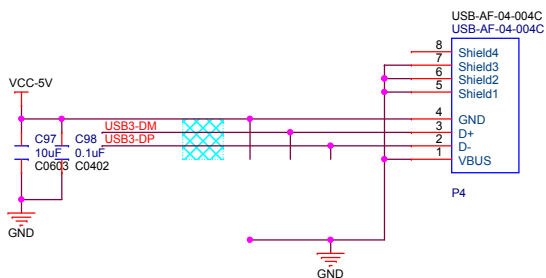
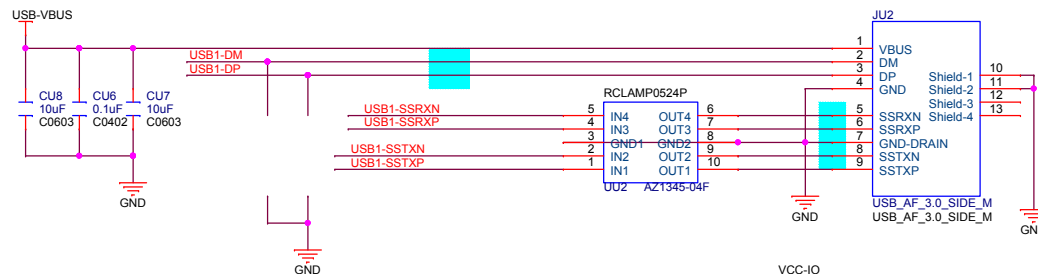


# USB

Differential pairs  
Z0= 90 ohm



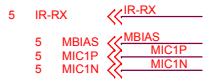
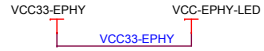
$$I_{lim} (A) = 6800 / R_{set} (ohm)$$



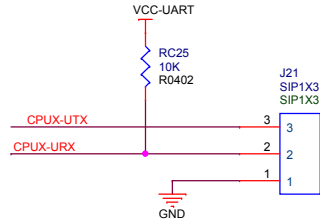
AllWinner Technology Co., Ltd			
Design Name			
H6-PROTO			
Size	Page Name		Rev
A3	CARD-USB-IR-SPDIF		<RevCode>
Date:	Friday, November 24, 2017	Sheet	10 of 14

# EPHY-FE

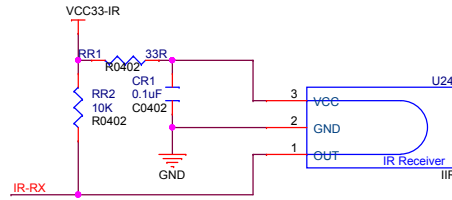
Differential pairs  
Z0= 100 ohm



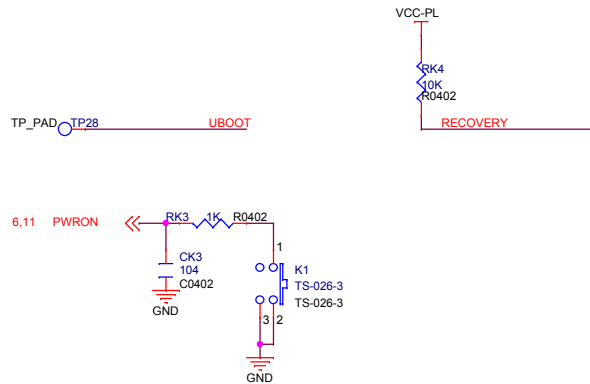
## DEBUG



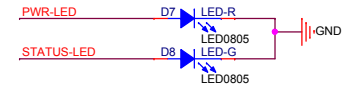
## IR



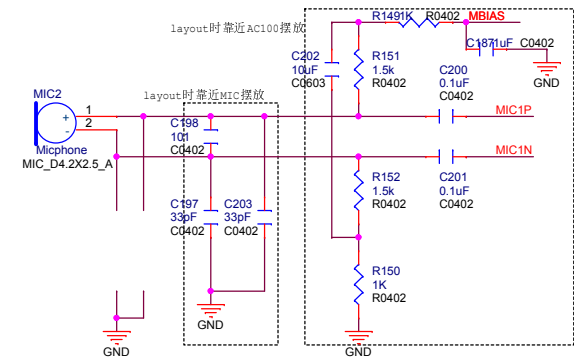
## KEY



## LED

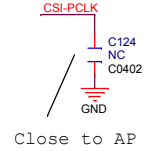
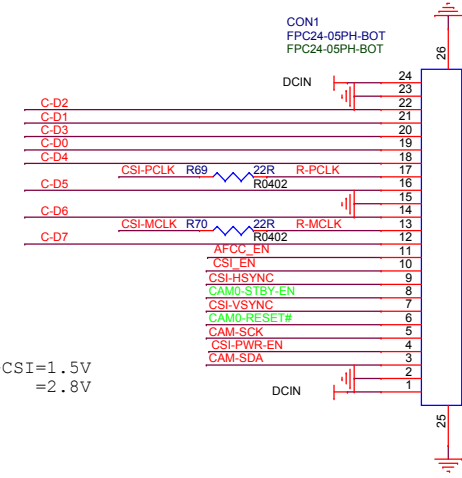
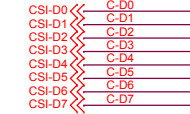
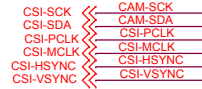
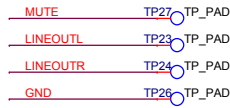


## MIC



AllWinner Technology Co., Ltd		
Design Name H6-PROTO		
Size A3	Page Name KEY-LED-ETH-DEBUG	Rev <RevCode>
Date: Friday, November 24, 2017	Sheet 11	of 14

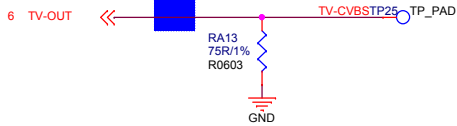
# Audio



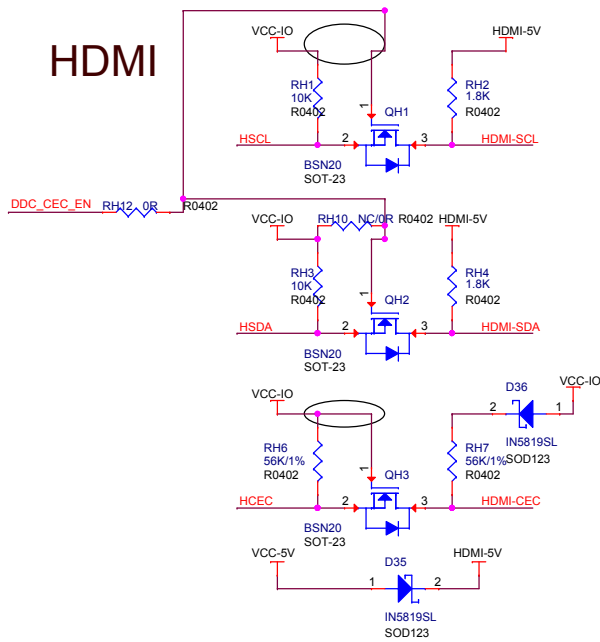
VDD1V5-CSI=1.5V  
VCC-CSI =2.8V

# Video

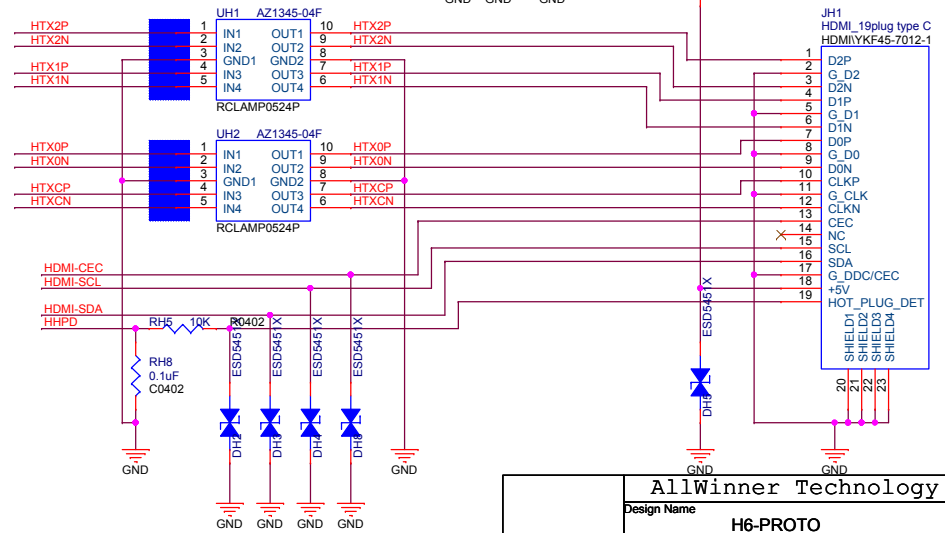
Z0= 37.5ohm



# HDMI

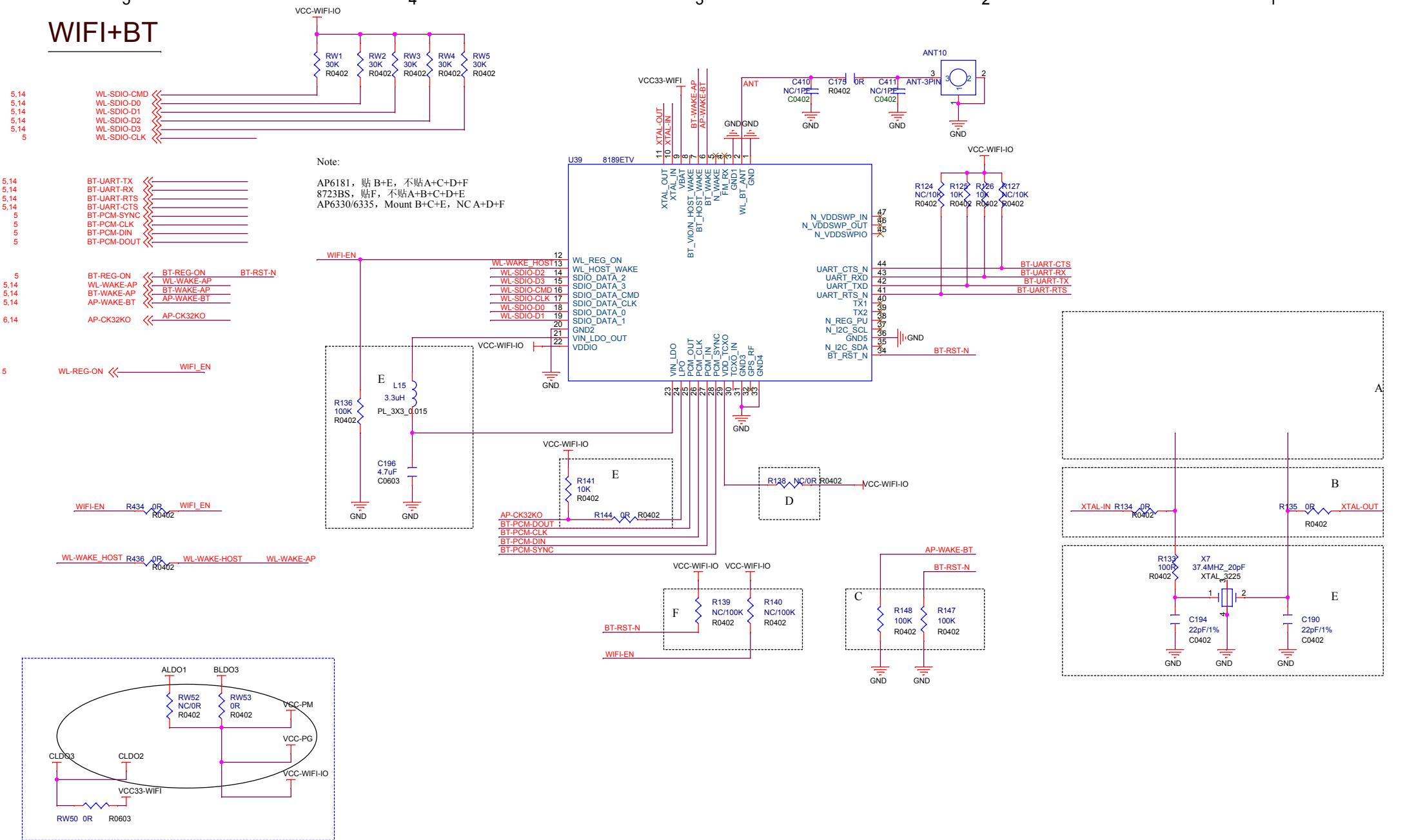


Differential pairs  
Z0= 100 ohm



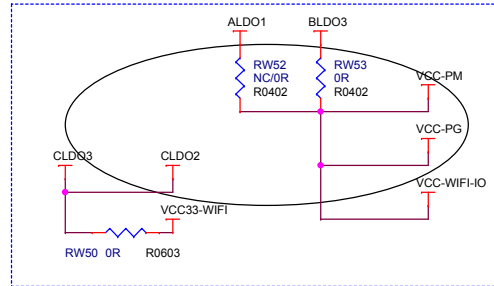
AllWinner Technology Co.,Ltd		
Design Name: H6-PROTO		
Size: A3	Page Name: AV-HDMI	Rev: <RevCode>
Date: Friday, November 24, 2017	Sheet: 12	of 14

# WIFI+BT



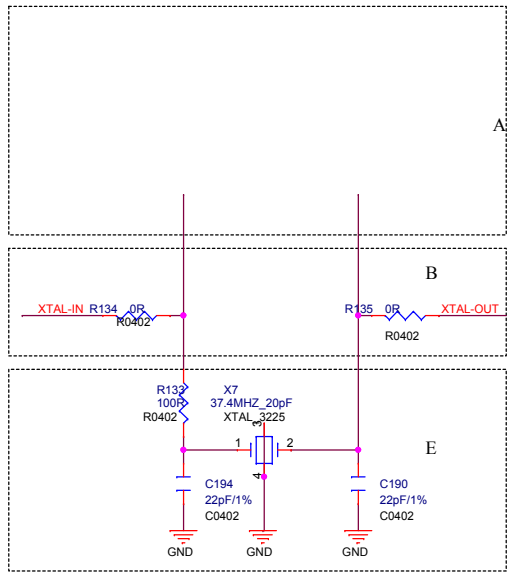
Note:  
 AP6181, 贴 B+E, 不贴A+C+D+F  
 8723BS, 贴F, 不贴A+B+C+D+E  
 AP6330/6335, Mount B+C+E, NC A+D+F

- 5,14 WL-SDIO-CMD
- 5,14 WL-SDIO-D0
- 5,14 WL-SDIO-D1
- 5,14 WL-SDIO-D2
- 5,14 WL-SDIO-D3
- 5 WL-SDIO-CLK
  
- 5,14 BT-UART-TX
- 5,14 BT-UART-RX
- 5,14 BT-UART-RTS
- 5,14 BT-UART-CTS
- 5,14 BT-PCM-SYNC
- 5,14 BT-PCM-CLK
- 5,14 BT-PCM-DIN
- 5,14 BT-PCM-DOUT
  
- 5 BT-REG-ON
- 5,14 WL-WAKE-AP
- 5,14 BT-WAKE-AP
- 5,14 AP-WAKE-BT
- 6,14 AP-CK32KO
  
- 5 WL-REG-ON
- 5,14 WL-WAKE-AP
- 5,14 BT-WAKE-AP
- 5,14 AP-WAKE-BT
- 5,14 AP-CK32KO



RW51 RW45 RW46 RW50 RW52 RW53

不带蓝牙遥控	IO为1.8V	NC	NC	NC	0R	NC	0R
	IO为3.3V	NC	NC	NC	0R	0R	NC
带蓝牙遥控	IO为1.8V	0R	NC	NC	NC	NC	NC
	IO为3.3V	0R	0R	0R	NC	NC	NC



AllWinner Technology Co., Ltd			
Design Name		H6-PROTO	
Size A3	Page Name	WIFI-BT 2T2R	
Date:	Friday, November 24, 2017	Sheet	13 of 14

# Ext Port

## Ext

