



Radxa Cubie A5E

Schematic

V1.1

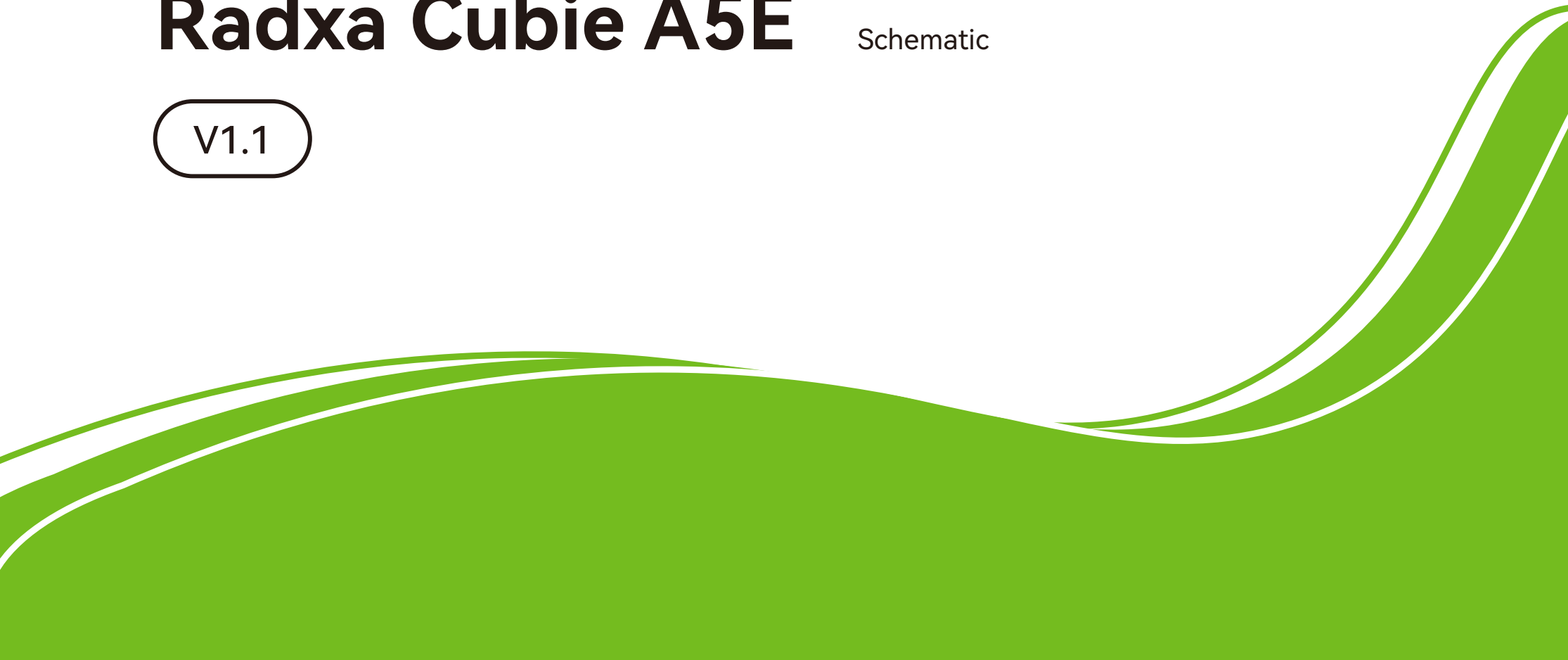


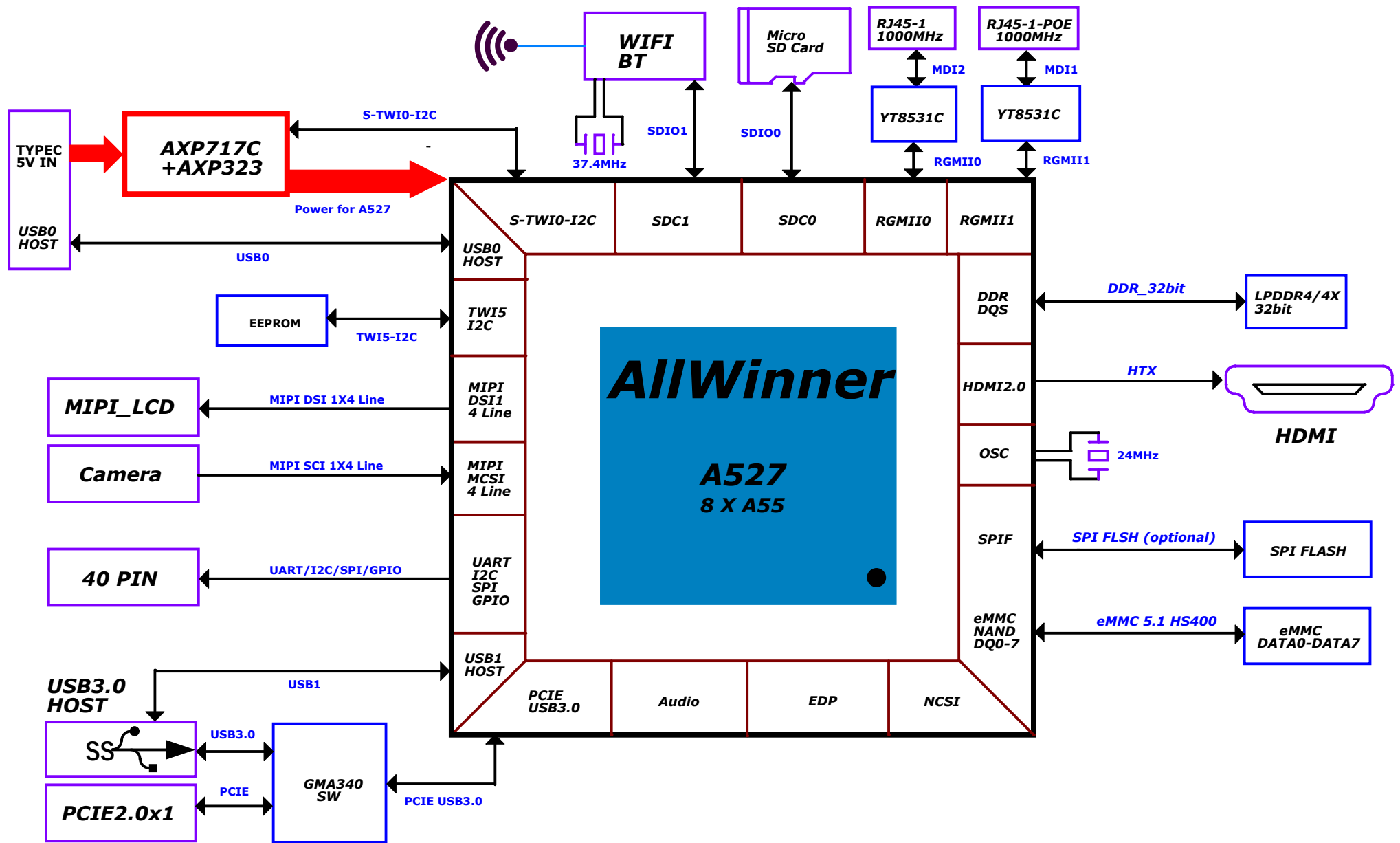
Table of Content

- 01.cover
- 02.Index and Notes
- 03.Block Diagram
- 04.A527 SYS/POWER/GND
- 05.A527 GPIO1
- 06.A527 GPIO2
- 07.A527 Analog&High-speed
- 08.A527 LPDDR4/4X
- 09.EMMC
- 10.WIFI/BT
- 11.TF/EEPROM
- 12.ETHERNET_1_POE
- 13.ETHERNET_0
- 14.USB/PCIE
- 15.MIPI CSI/DSI
- 16.HDMI OUT
- 17.POWER-AXP717C+AXP323
- 18.DC_IN
- 19.HOLE/LED/KEY/40PIN

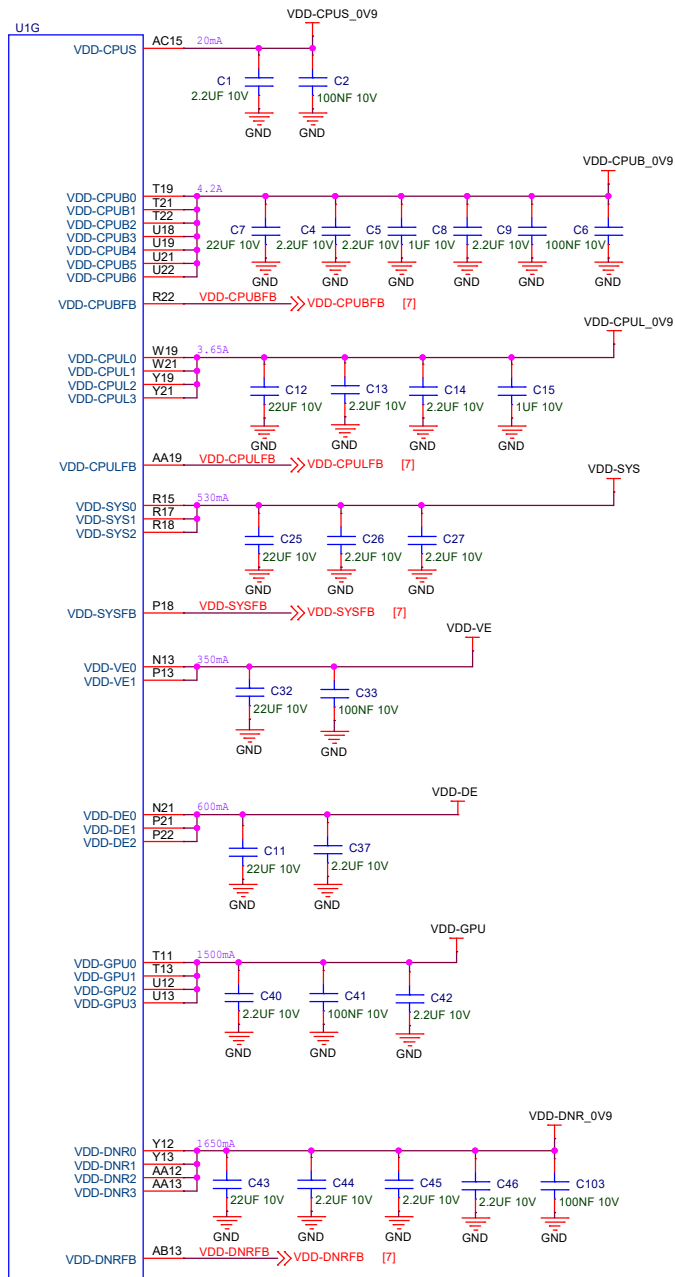


Size	Title: Radxa Cubie A5E	REV
A4	Page Name: Index and Notes	1.1
Date: Monday, January 13, 2025	Sheet 02 of 19	

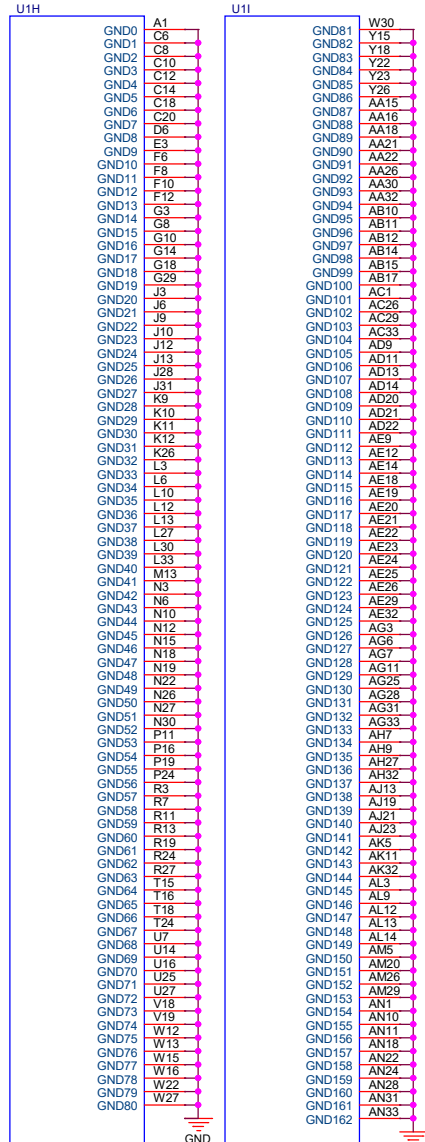
Block Diagram



CORE POWER



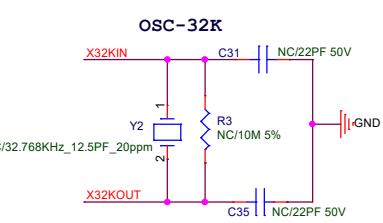
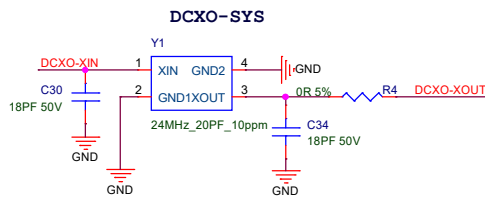
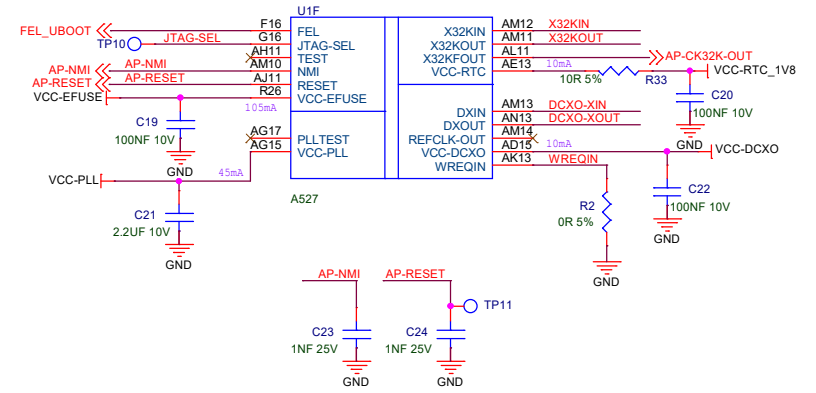
A527



A527

A527

SYS



Size	Title:	Radxa Cubie A5E	REV
A3	Page Name:	A527_SYS/POWER/GND	1.1
Date:	Monday, January 13, 2025	Sheet	04 of 19

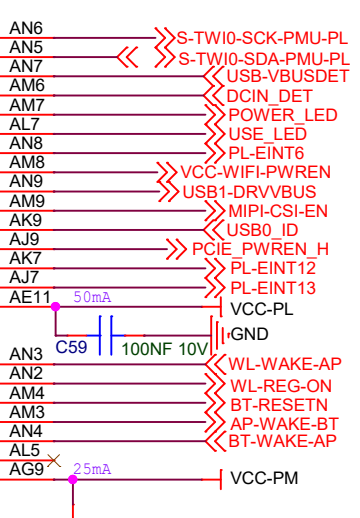
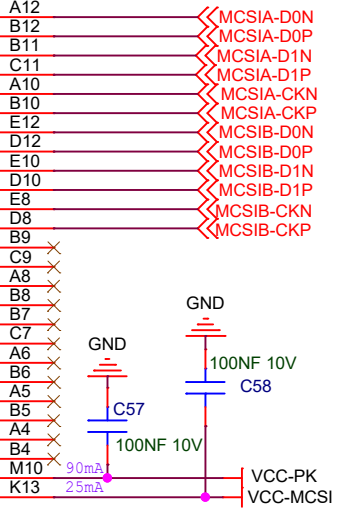
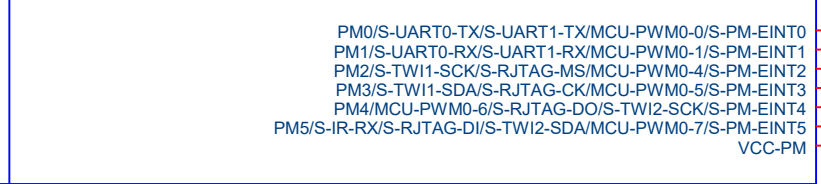
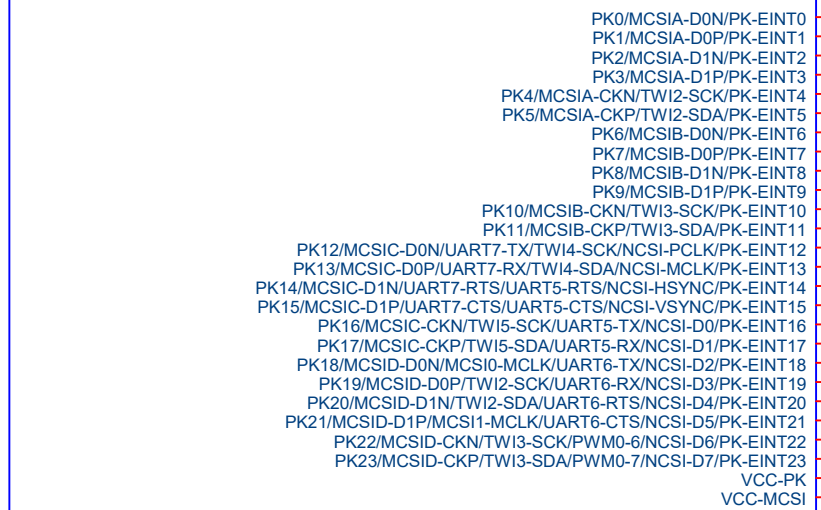
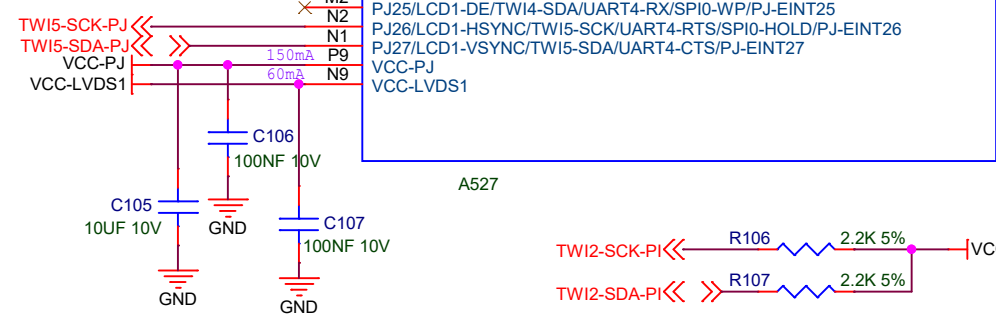
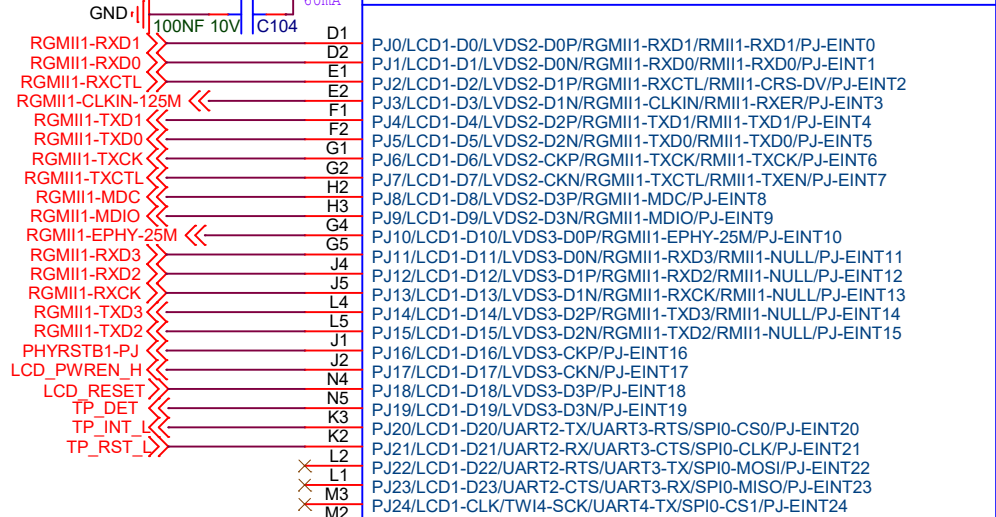
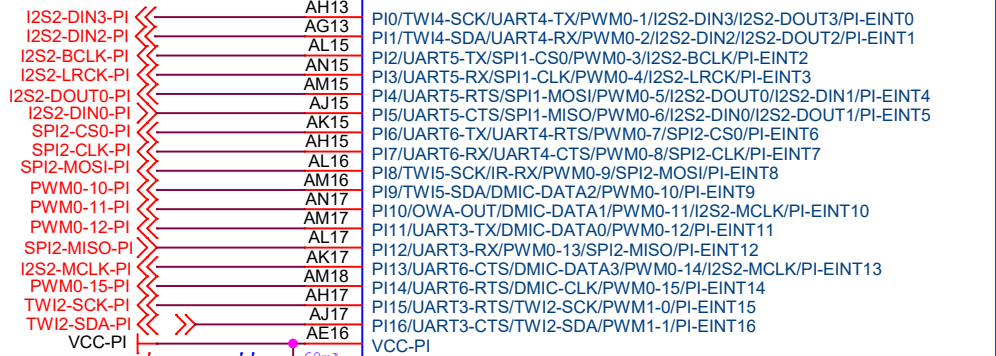
GPIO1



Size	Title:	Radxa Cubie A5E	REV
A3	Page Name:	A527_GPIO1	1.1
Date:	Monday, January 13, 2025	Sheet 05 of 19	

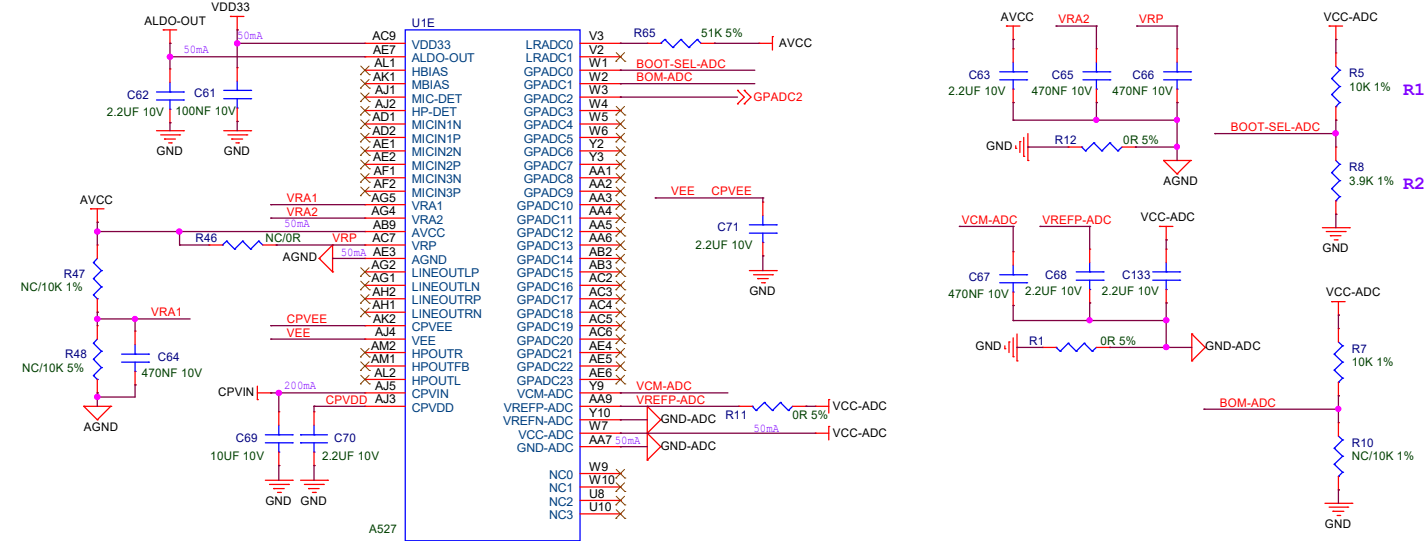
GPIO2

U1C



Size	Title:	Radxa Cubie A5E	REV
A4	Page Name:	A527_GPIO2	1.1
Date:	Monday, January 13, 2025	Sheet	06 of 19

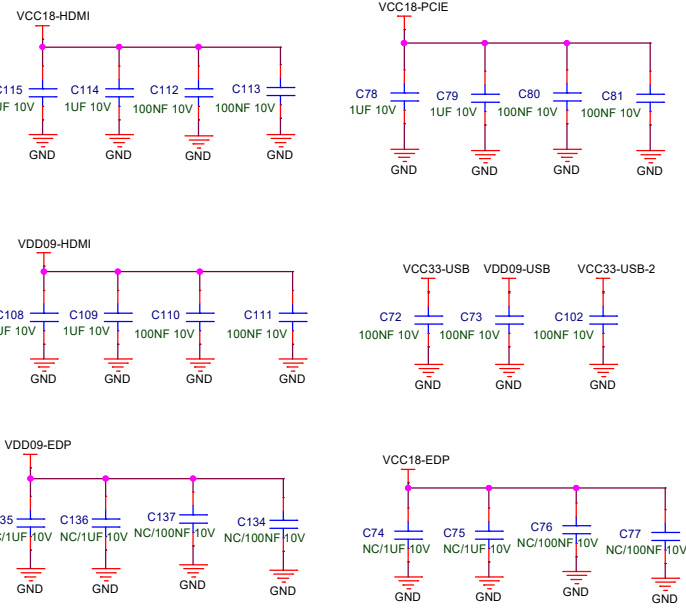
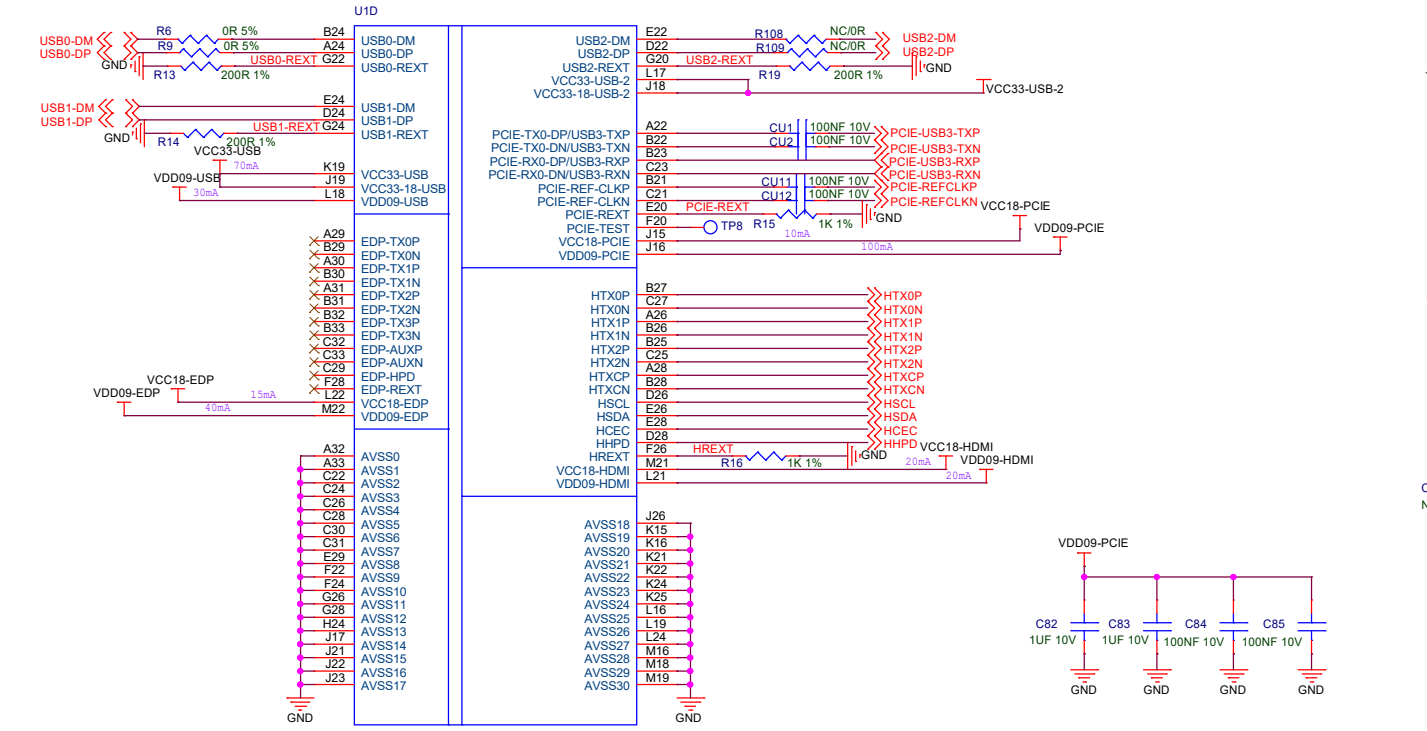
Audio&ADC



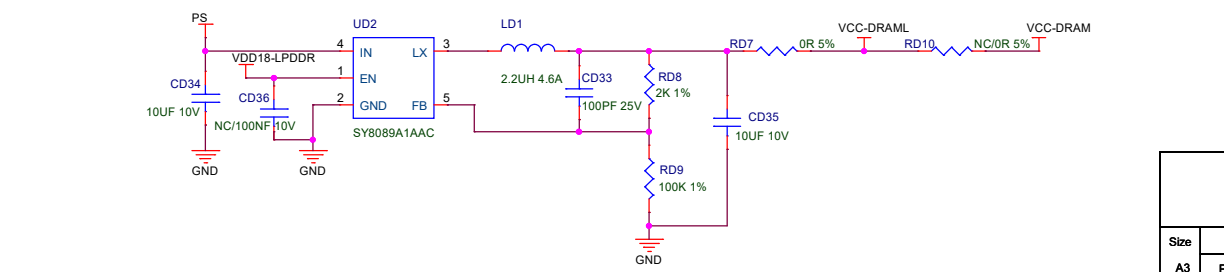
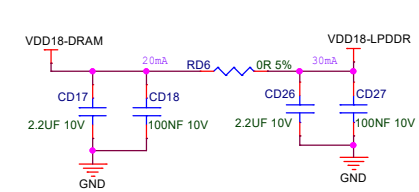
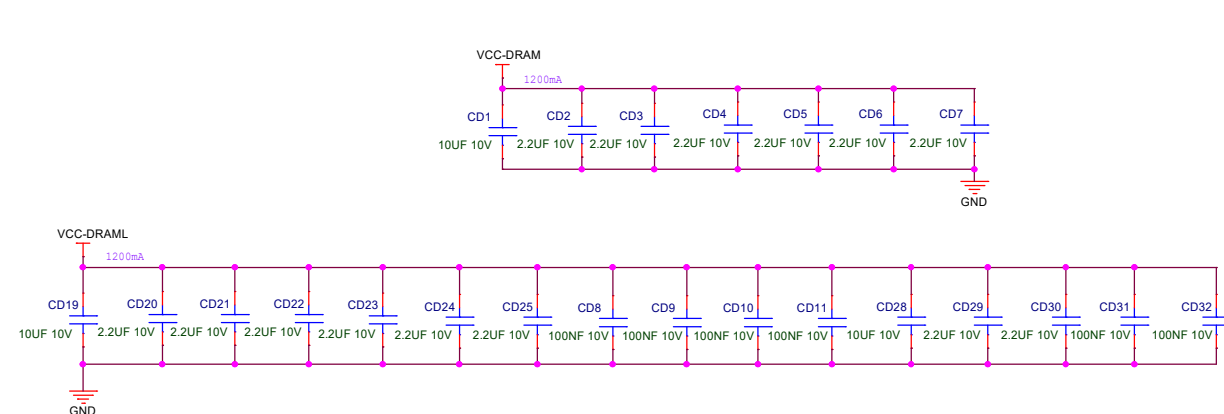
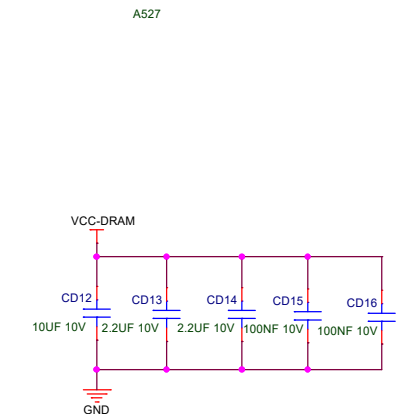
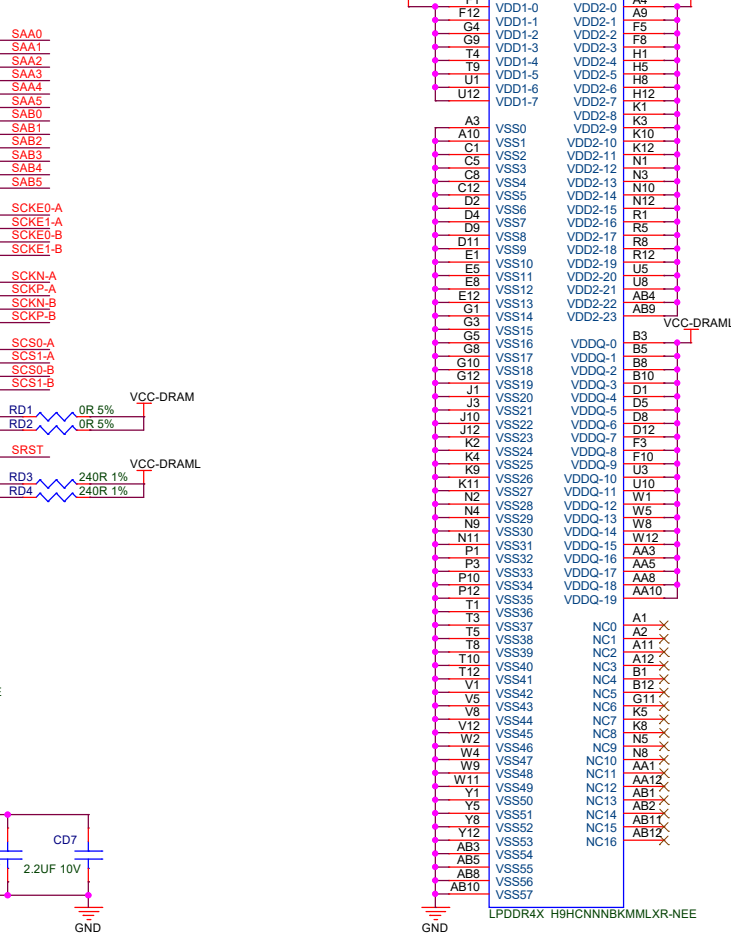
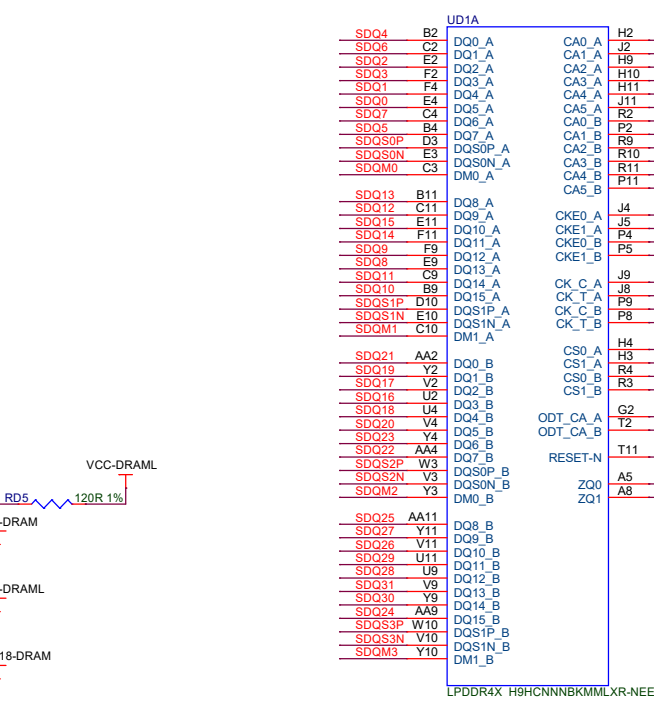
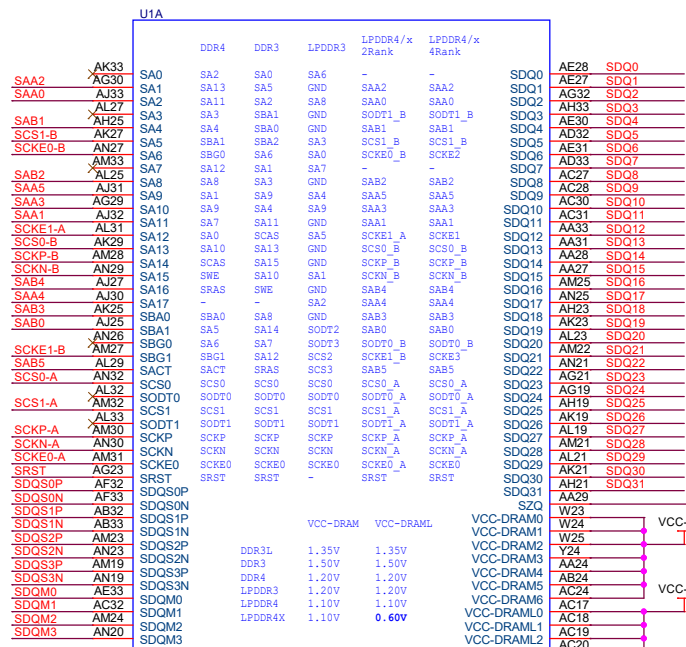
NO.	R1	R2	Boot Select type
1	NC	10K	SMHC0->MLC NAND->SLC NAND->try(except SPI in PJ)
2	10K	1K	SMHC0->SLC NAND->MLC NAND->try(except SPI in PJ)
3	10K	2K2	SMHC0->EMMC_USER->EMMC_BOOT->try(except SPI in PJ)
4	10K	3K9	SMHC0->EMMC_BOOT->EMMC_USER->try(except SPI in PJ)
5	6K8	4K7	SMHC0->SPI NOR->try(except SPI in PJ)
6	6K8	6K8	SMHC0->SPI NAND->try(except SPI in PJ)
7	4K3	6K8	SMHC0->SPI NOR in PJ->try
8	2K2	10K	SMHC0->SPI NAND in PJ->try
9	10K	NC	Reserved

try default order:(selected fail media will not try)
EMMC_USER->EMMC_BOOT->SLC NAND->MLC NAND->SPI NOR->SPI NAND

USB&EDP&PCIE



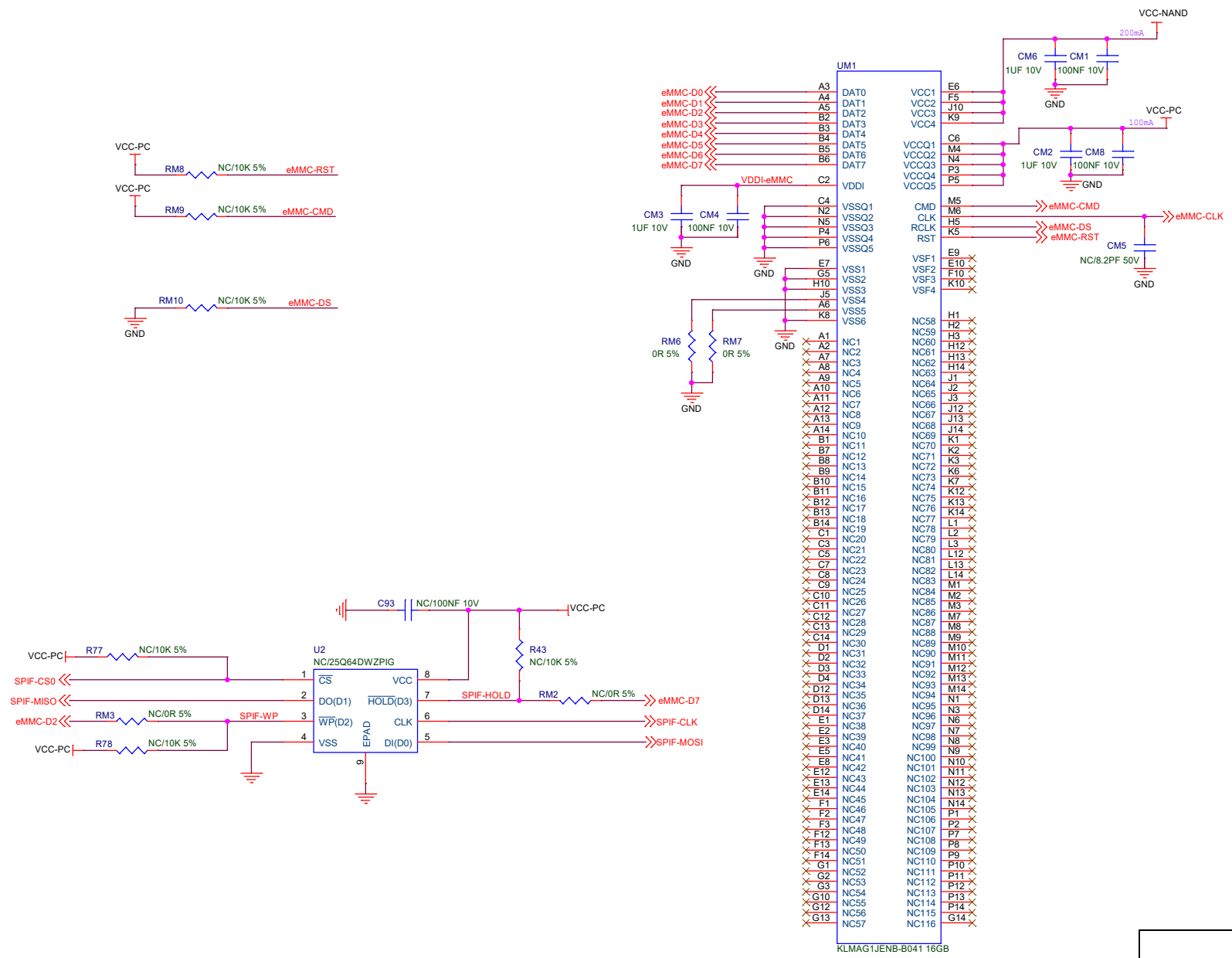
LPDDR4-4X



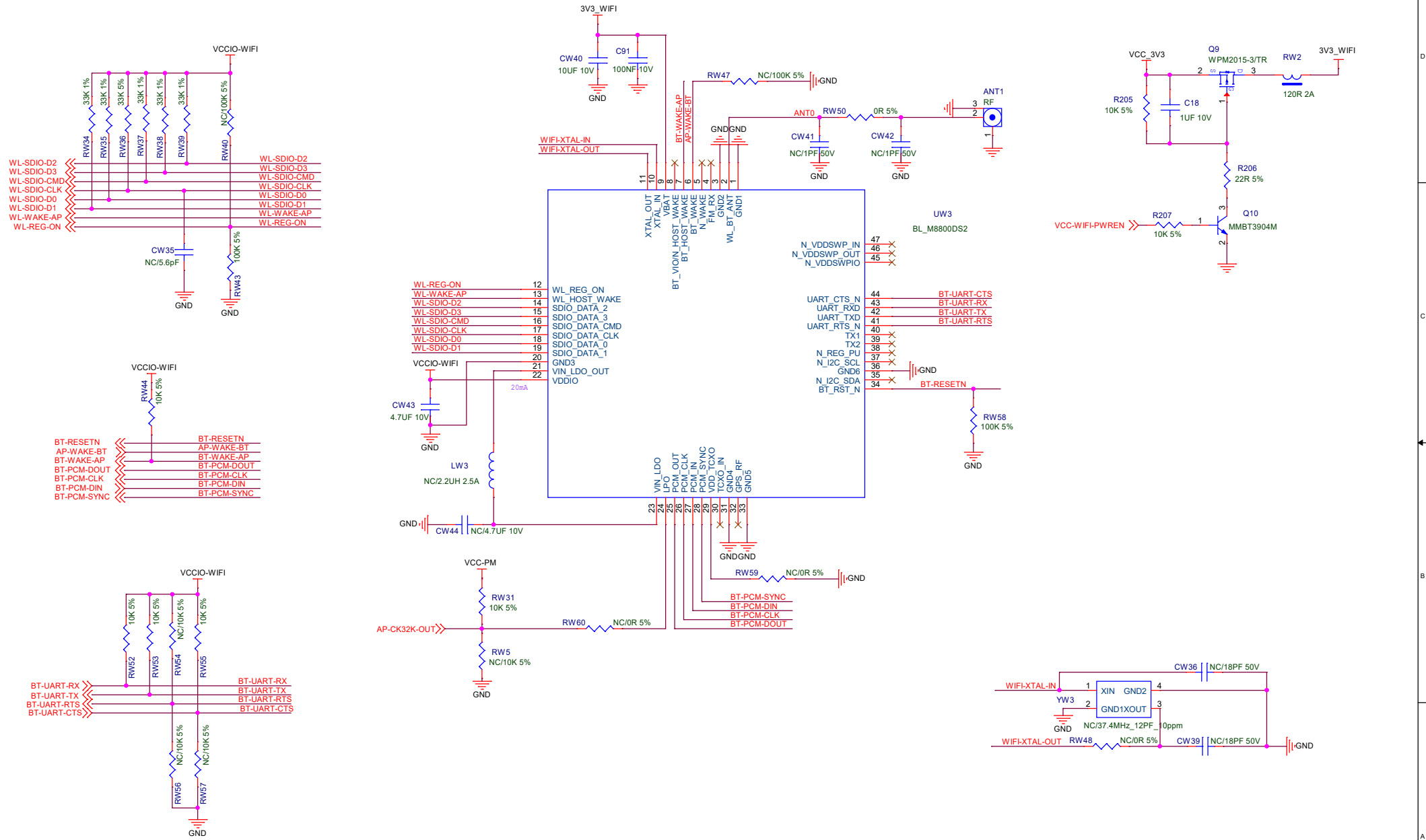
radxa

Size	Title: Radxa Cubie A5E	REV
A3	Page Name: A527_LPDDR4/4X	1.1
Date: Monday, January 13, 2025		Sheet 08 of 19

EMMC



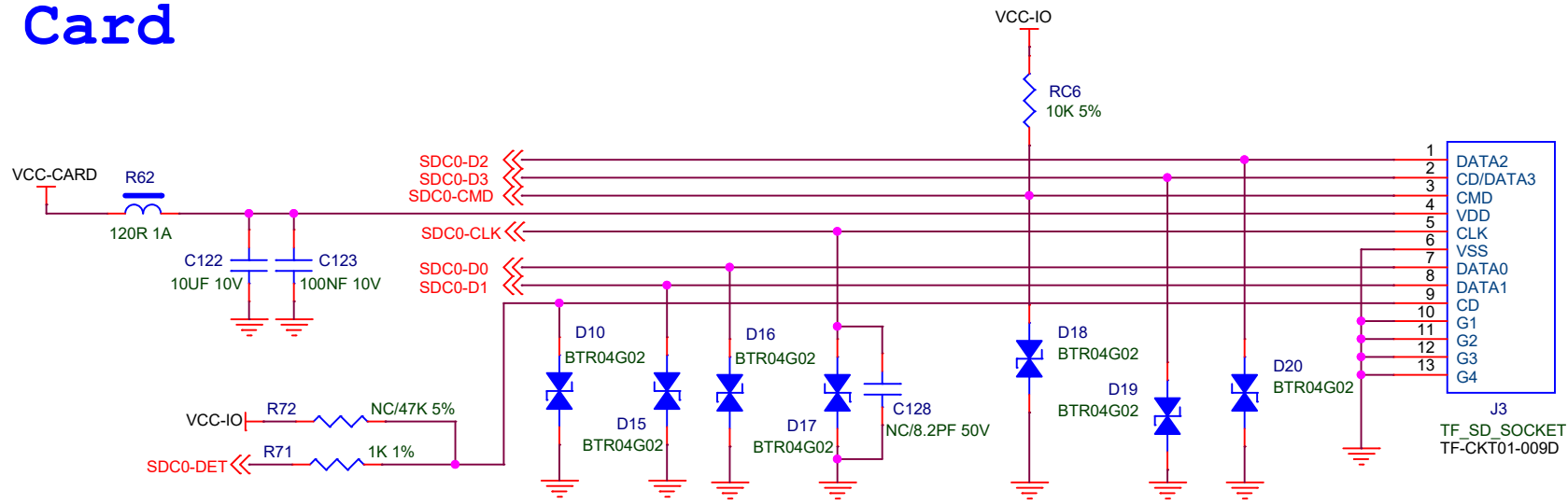
WIFI/BT



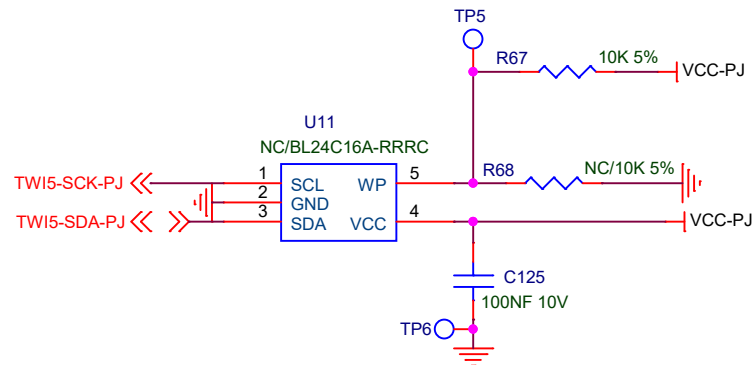
radxa

Size	Title:	Radxa Cubie A5E	REV
A3	Page Name:	WIFI/BT	1.1
Date:	Monday, January 13, 2025	Sheet	10 of 19

TF Card



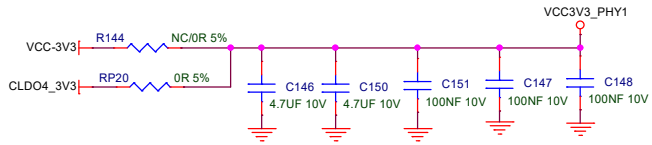
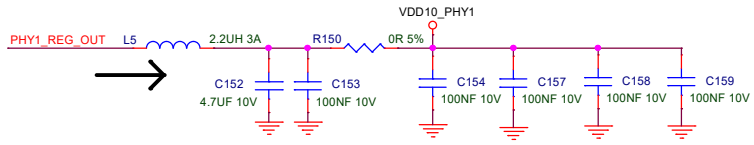
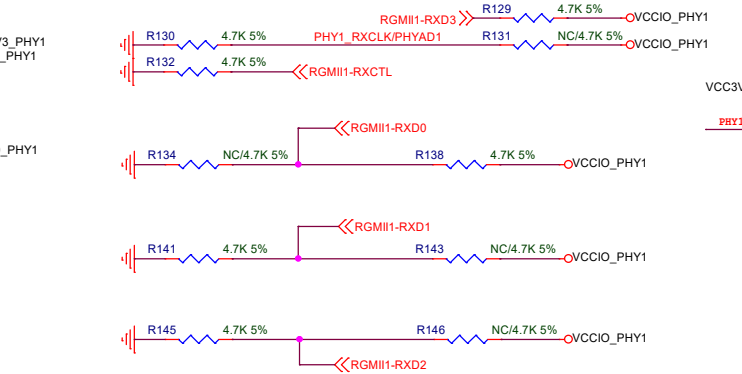
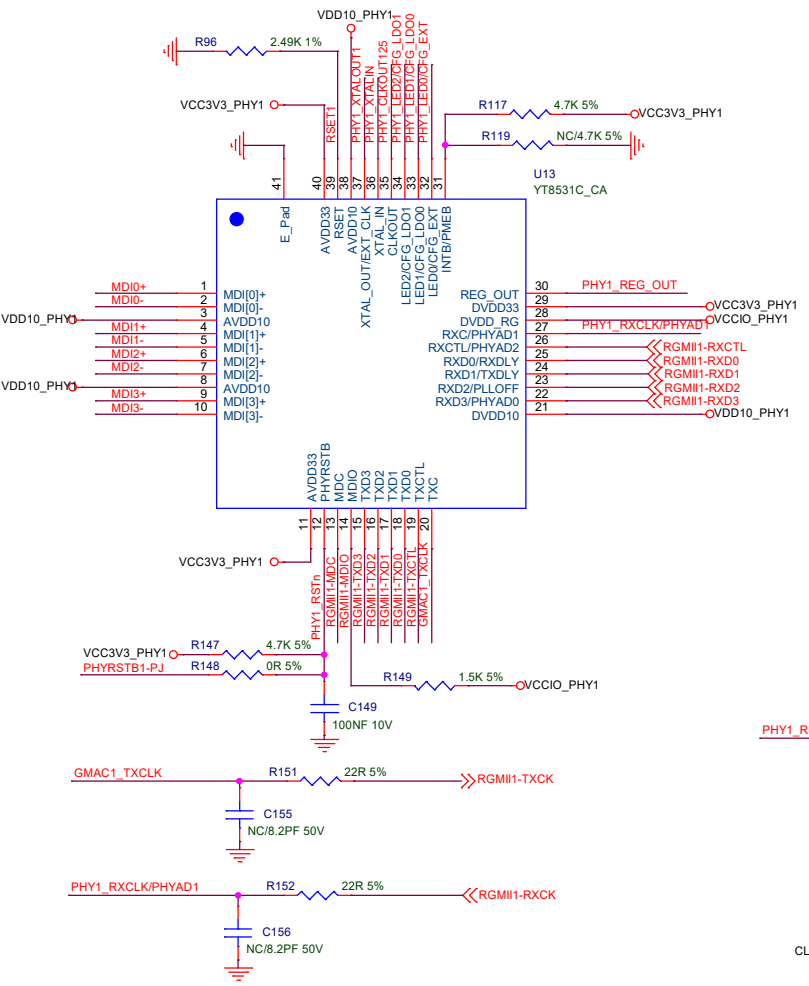
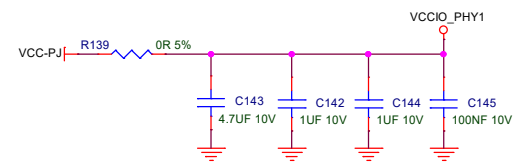
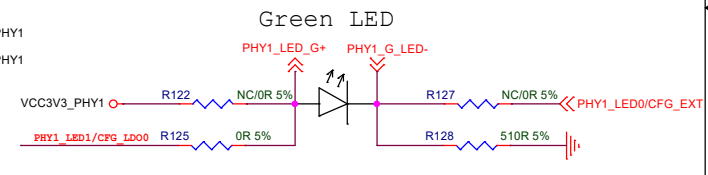
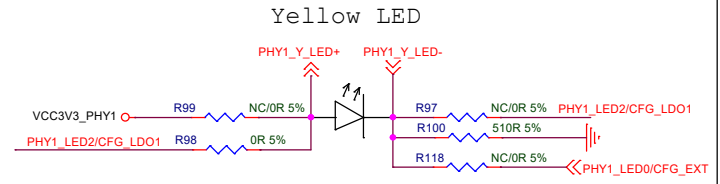
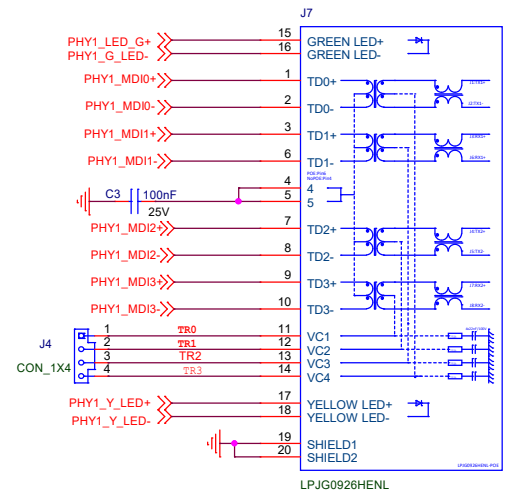
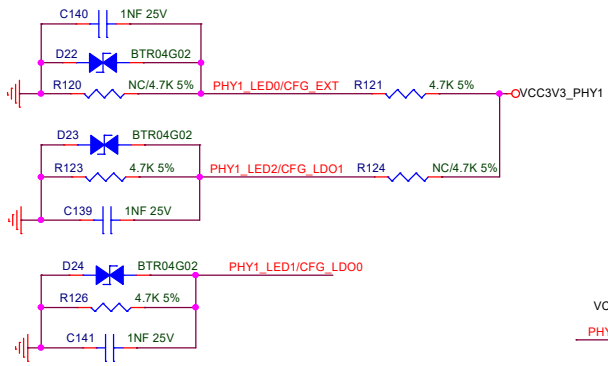
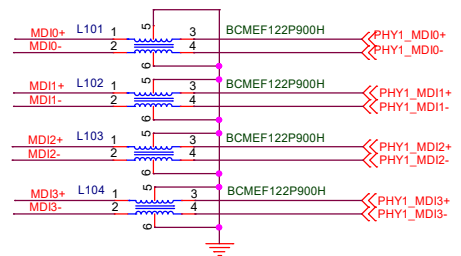
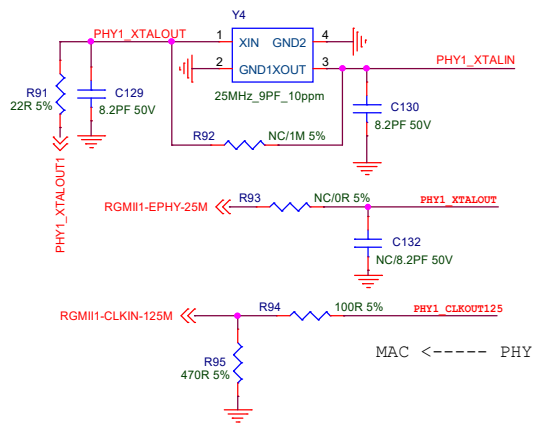
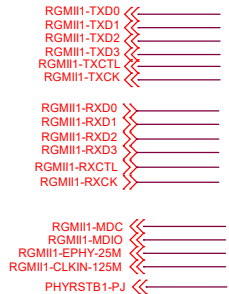
EEPROM



radxa

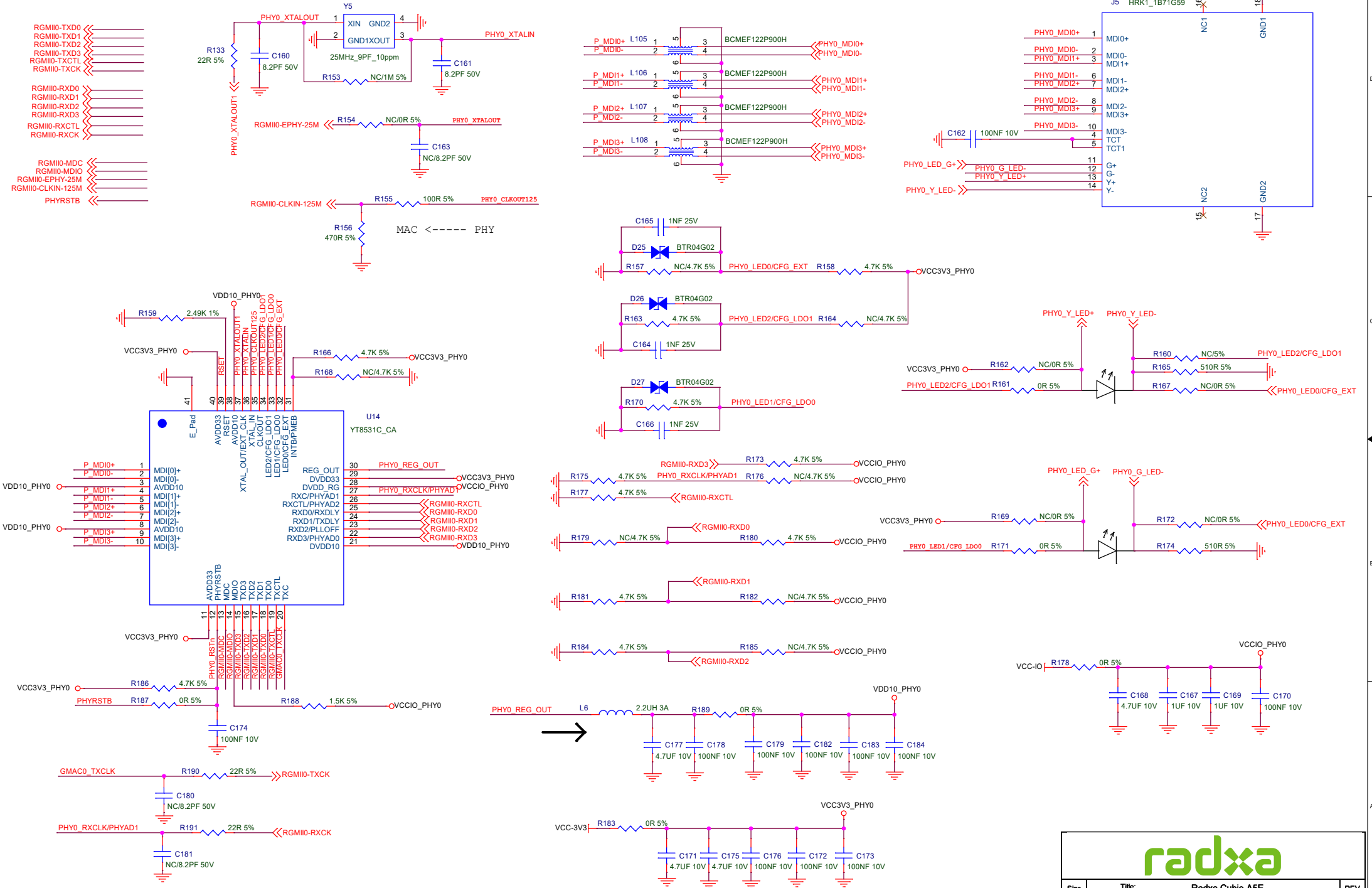
Size	Title: Radxa Cubie A5E	REV
A4	Page Name: TF/EEPROM	1.1
Date: Monday, January 13, 2025	Sheet 11 of 19	

ETHERNET_1_POE



Size	Title:	Radxa Cubie A5E
A3	Page Name:	ETHERNET_1_POE
Date:	Monday, January 13, 2025	Sheet 12 of 19
		REV 1.1

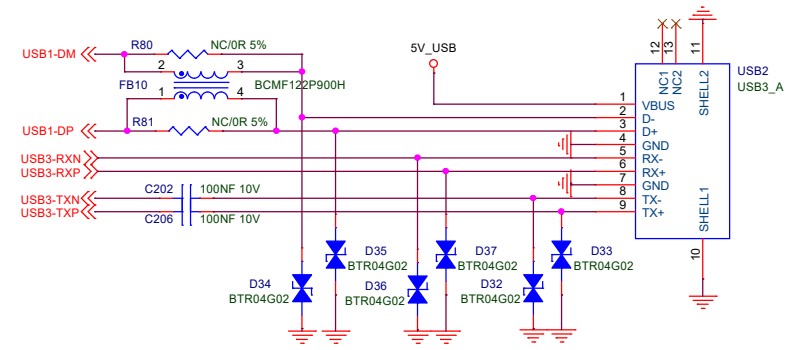
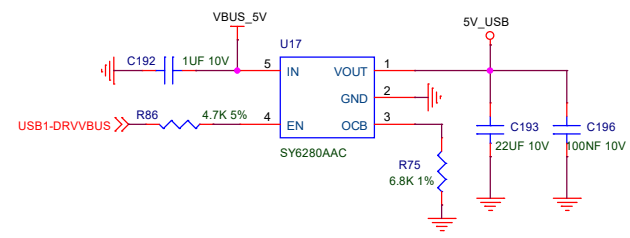
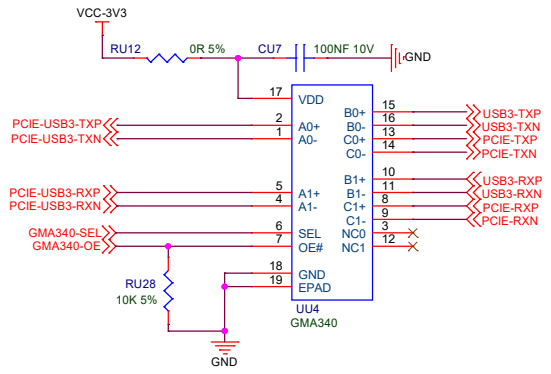
ETHERNET_0



radxa

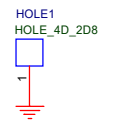
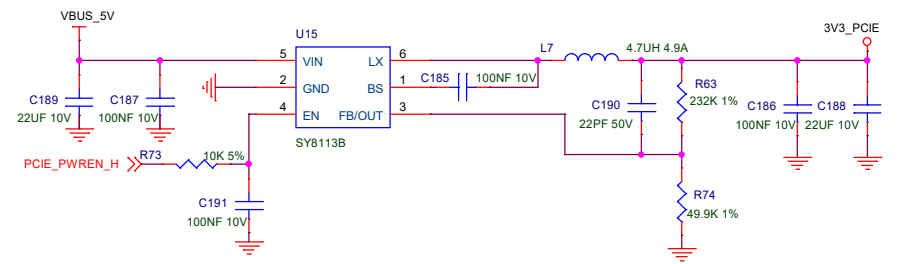
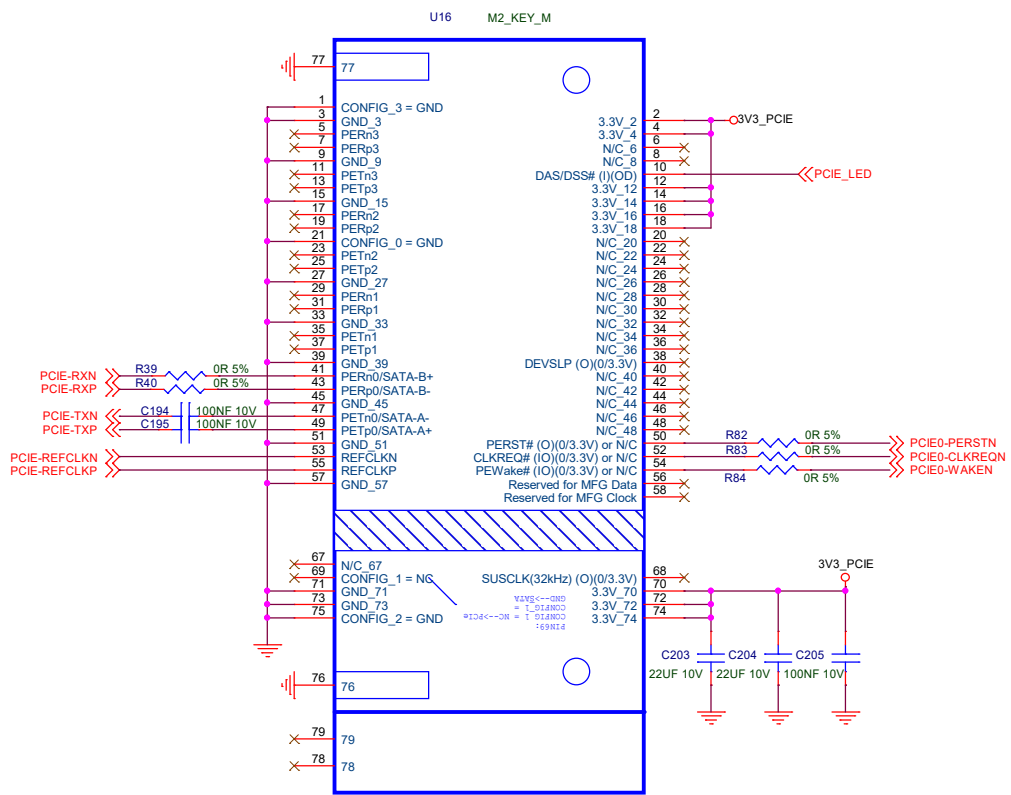
Size	Title:	Radxa Cubie A5E	REV
A3	Page Name:	ETHERNET_0	1.1
Date:	Monday, January 13, 2025	Sheet	13 of 19

USB3.0

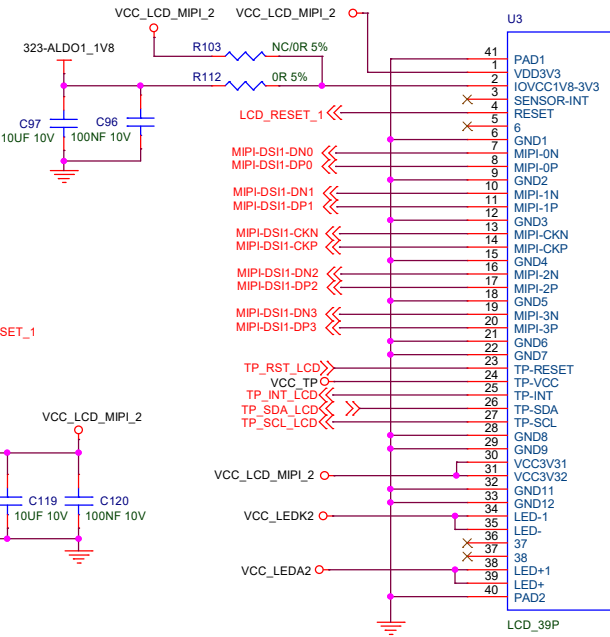
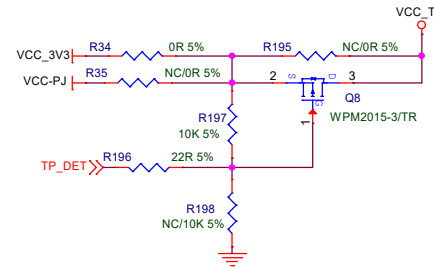
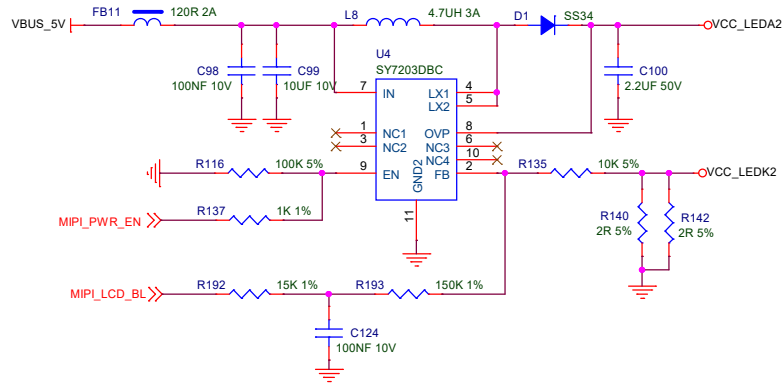


SEL (0=A to B, 1=A to C)

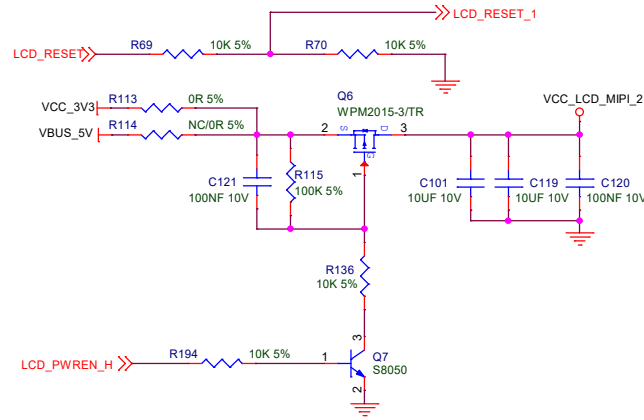
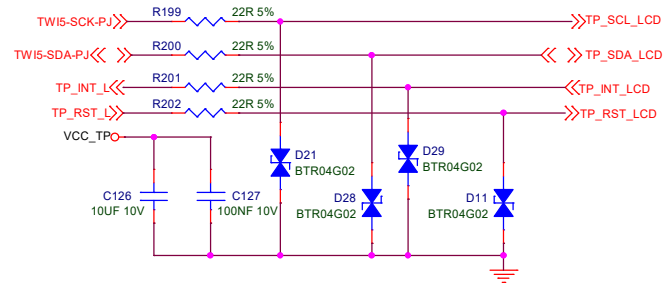
PCIe2.0 x 1 Lane



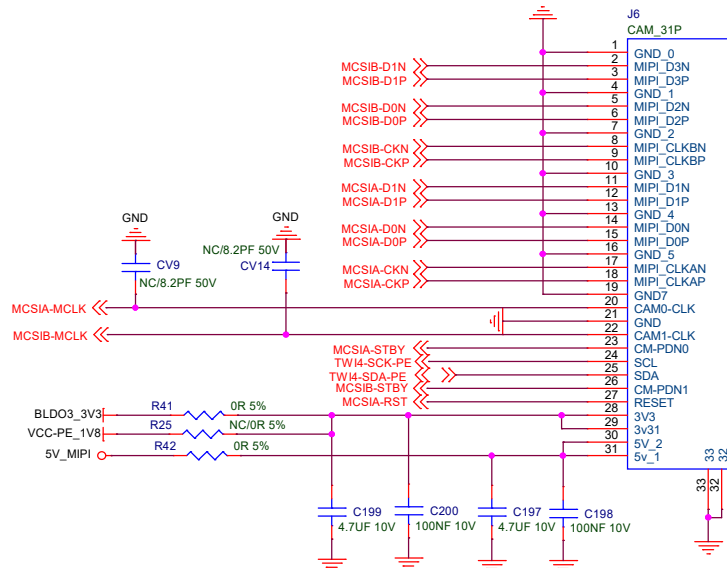
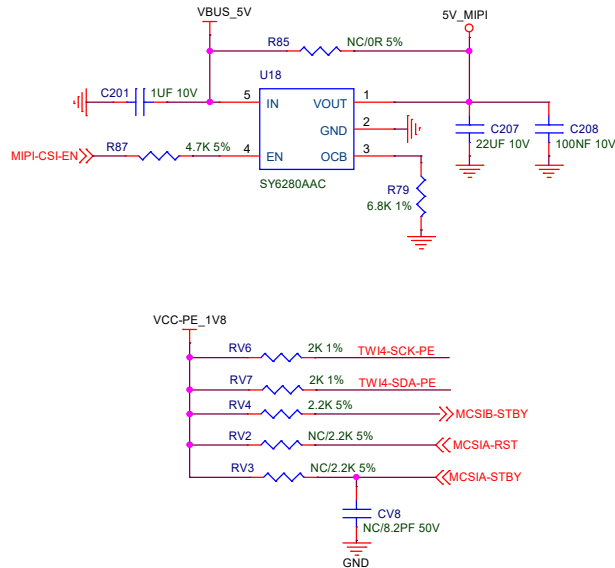
MIPI_LCD



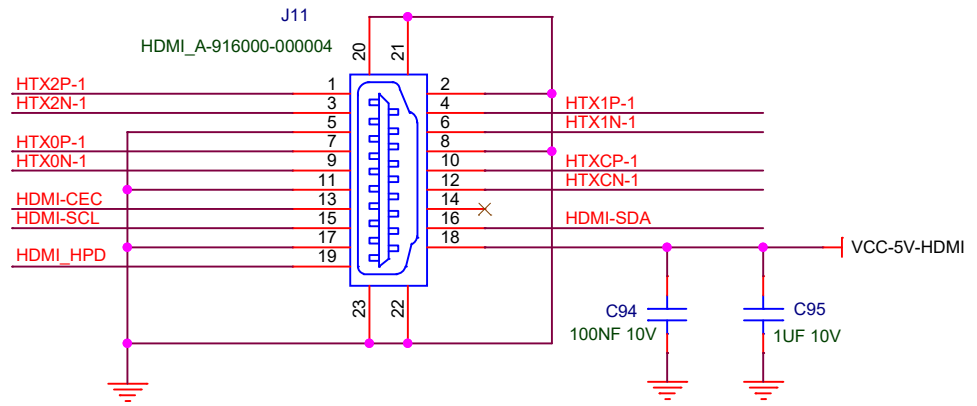
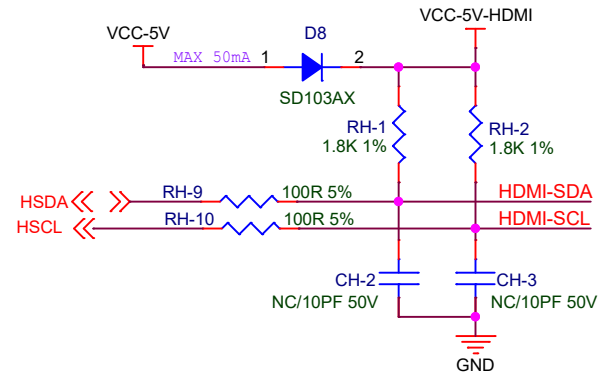
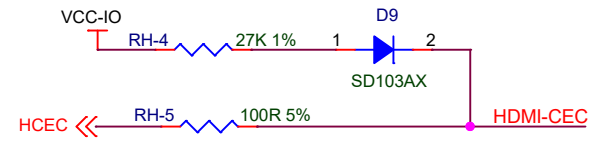
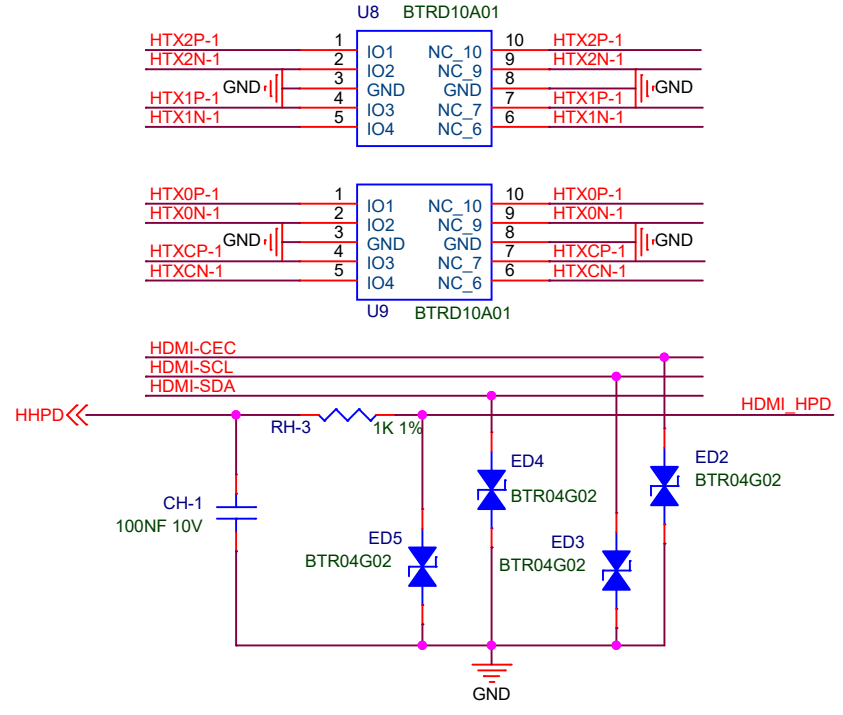
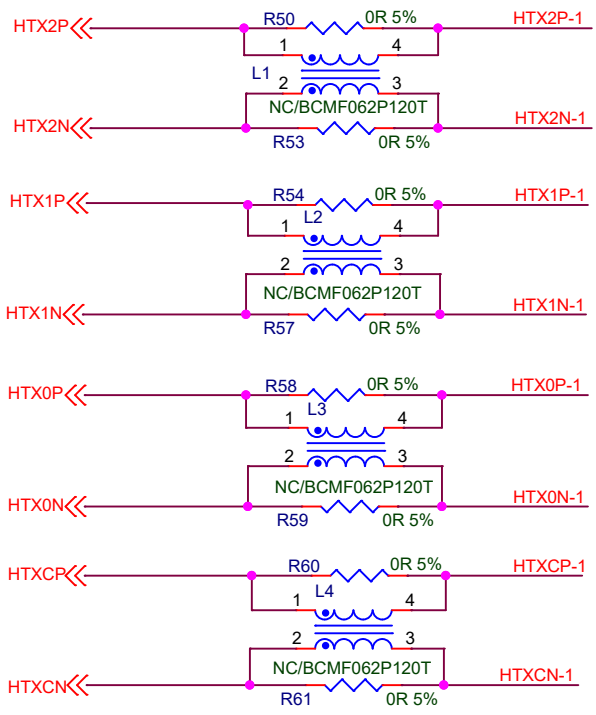
LCD_TP



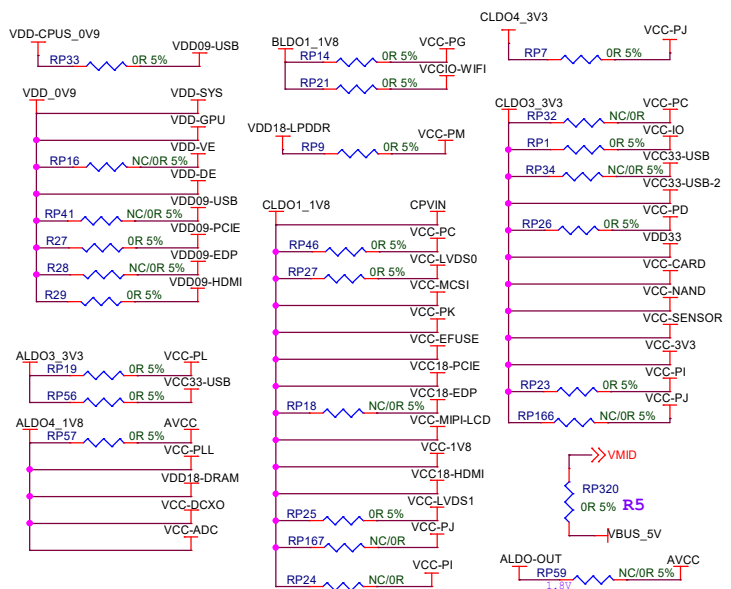
Camera



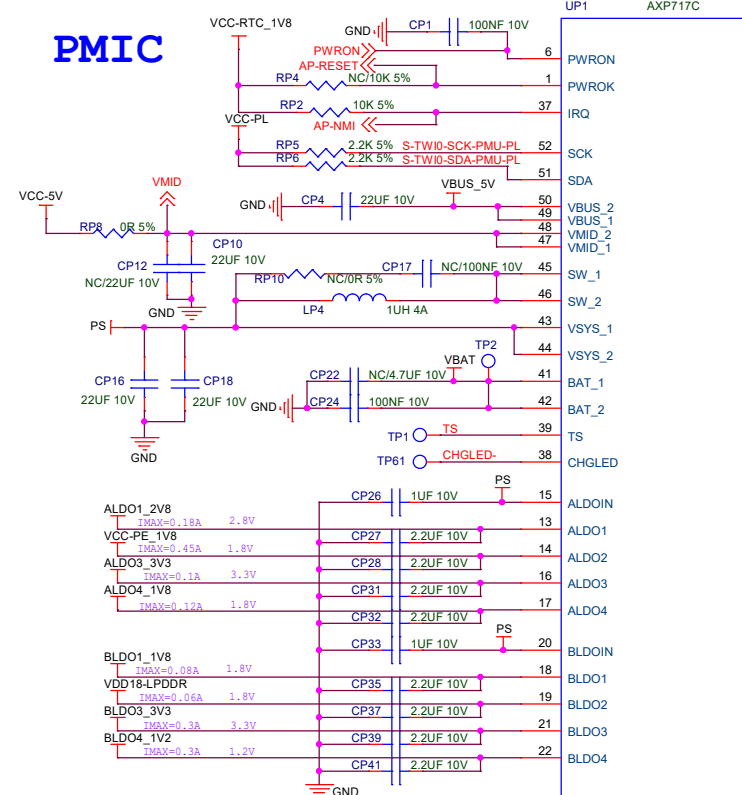
HDMI OUT



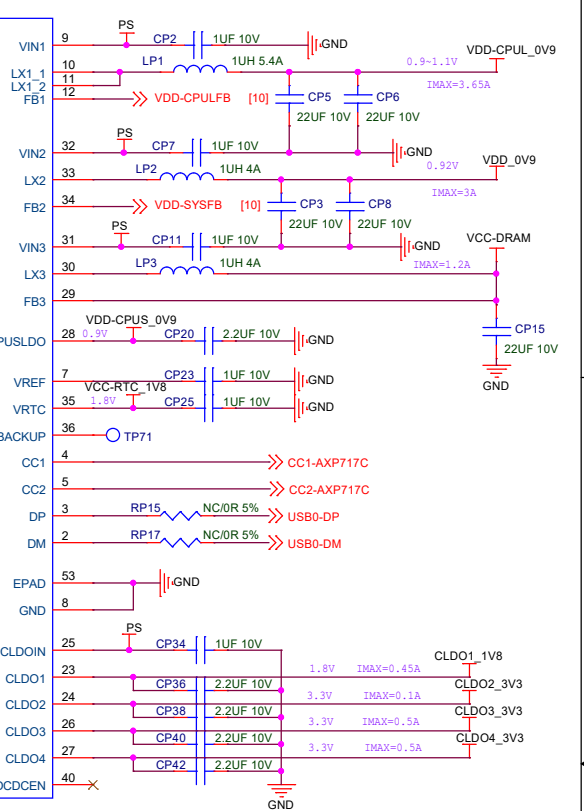
Size	Title: Radxa Cubie A5E	REV
A4	Page Name: HDMI OUT	1.1
Date: Monday, January 13, 2025	Sheet 16 of 19	



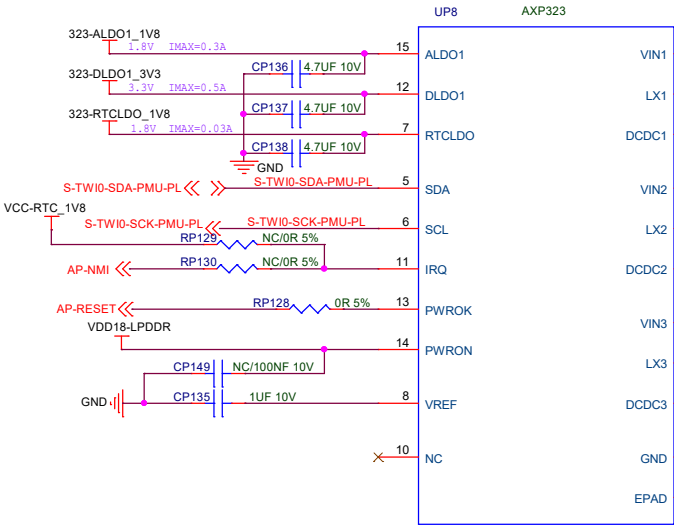
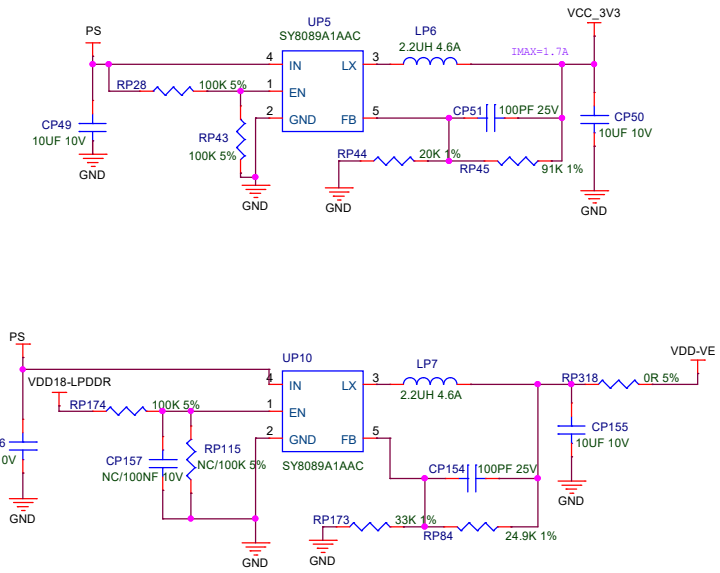
PMIC



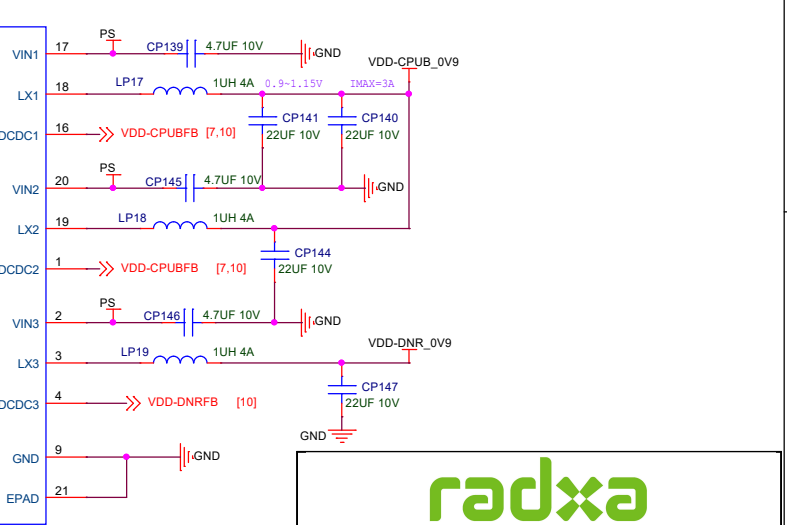
TWI Address: 0x68



AXP323

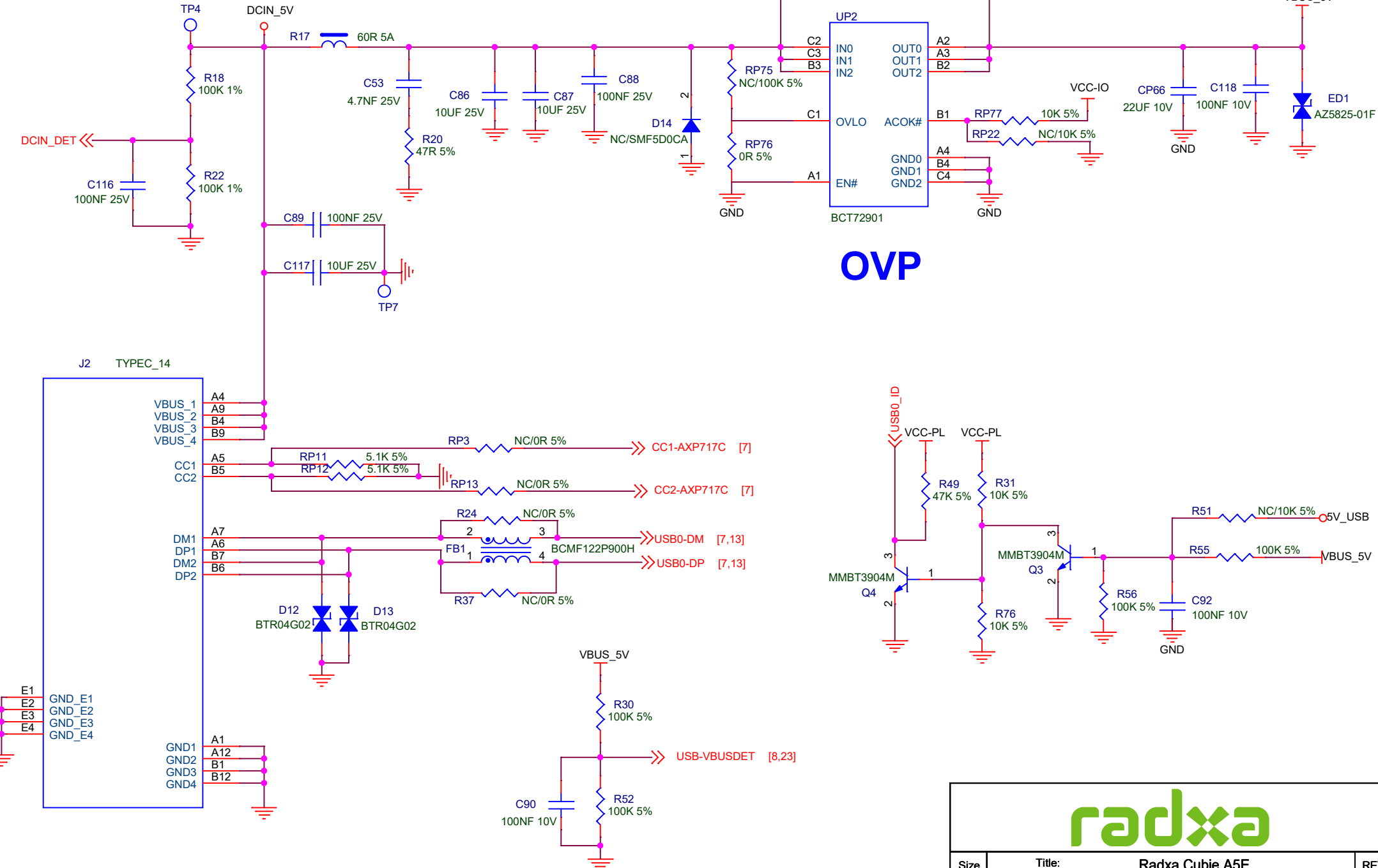


TWI Address: 0x6C



radxa		
Size:	Title:	Radxa Cubie A5E
A3	Page Name:	POWER-AXP717C+AXP323
Date:	Monday, January 13, 2025	Sheet 17 of 19
		REV 1.1

DC_IN

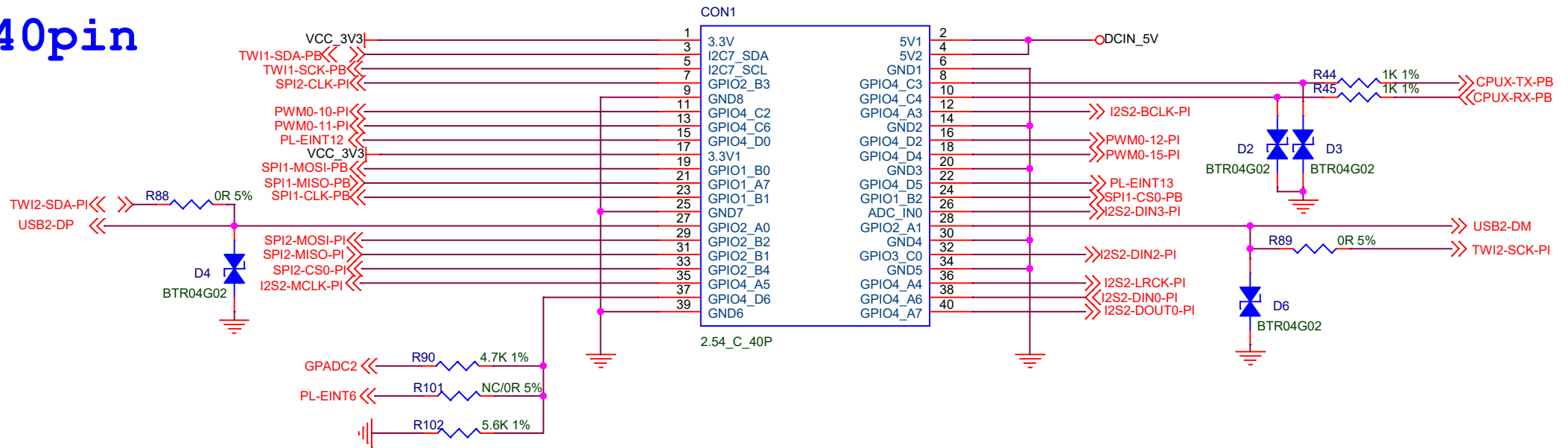


OVP

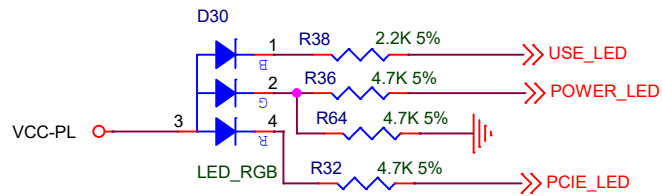
radxa

Size	Title: Radxa Cubie A5E	REV
A4	Page Name: DC_IN	1.1
Date: Monday, January 13, 2025 Sheet 18 of 19		

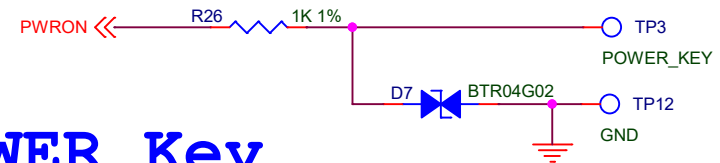
40pin



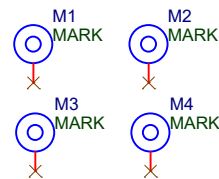
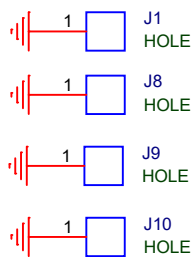
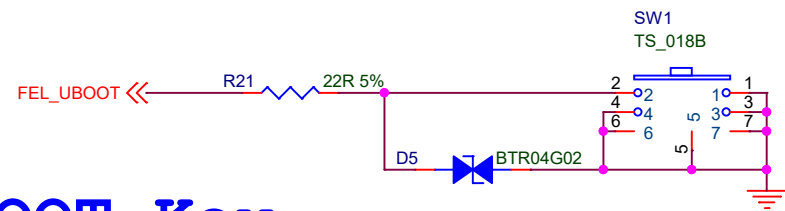
LED



POWER Key



UBOOT Key



Size	Title: Radxa Cubie A5E	REV
A4	Page Name: HOLE/LED/KEY/40PIN	1.1
Date: Monday, January 13, 2025	Sheet 19 of 19	