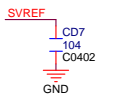
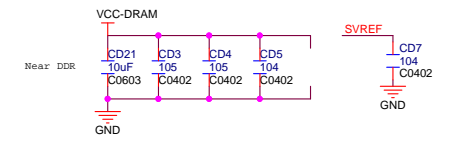
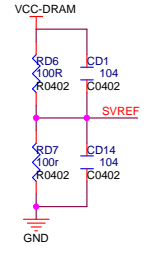
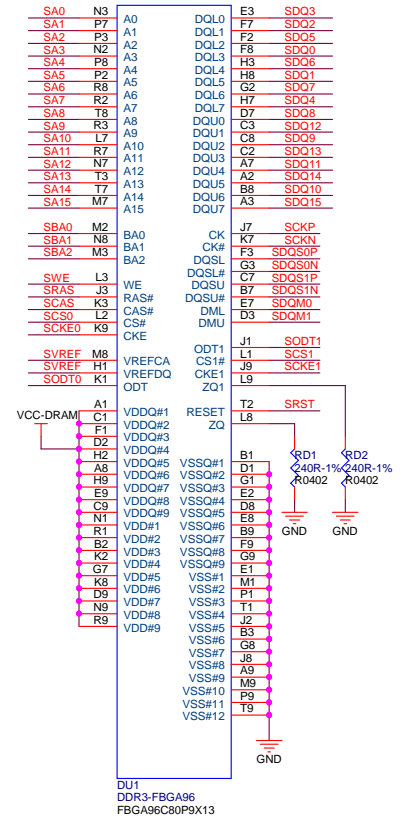
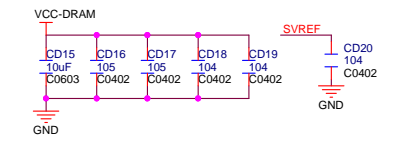
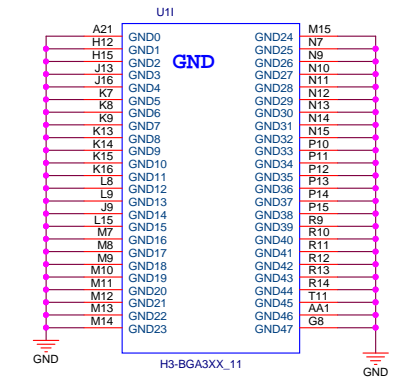
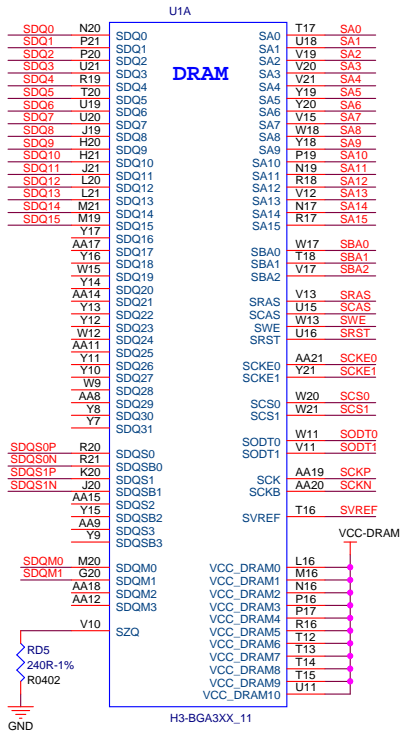
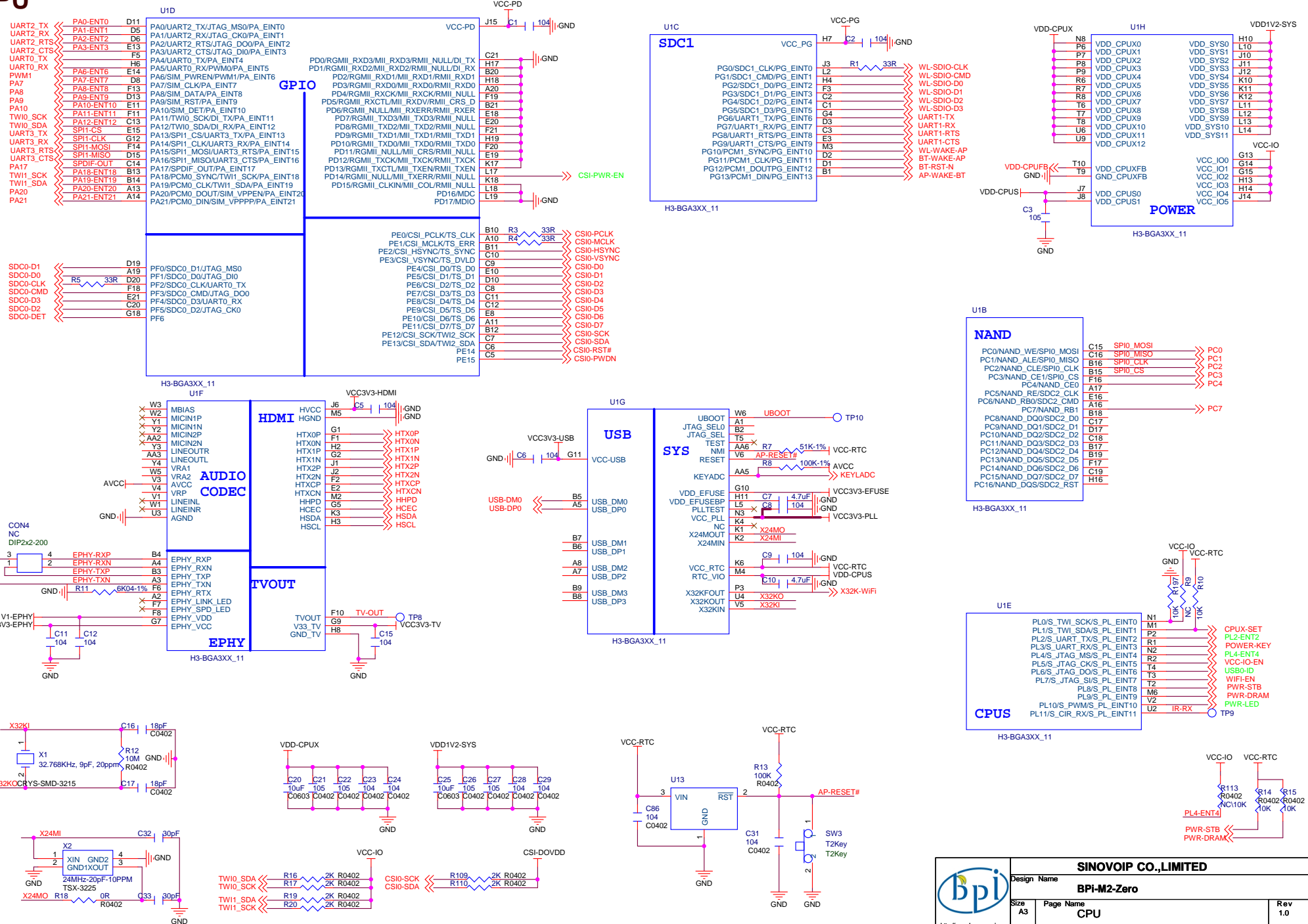


# DDR3 16x2



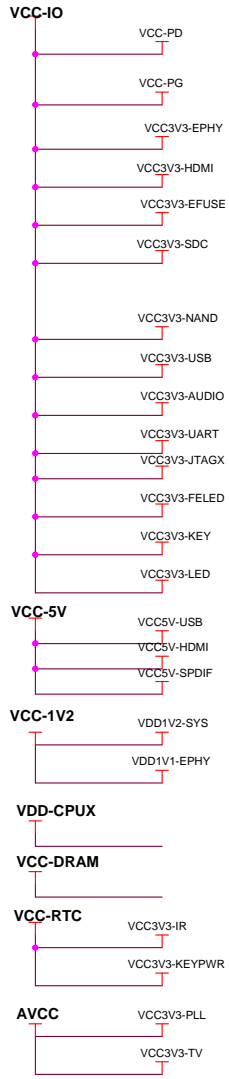
SCKP RD8 100R R0402 SCKN

# CPU

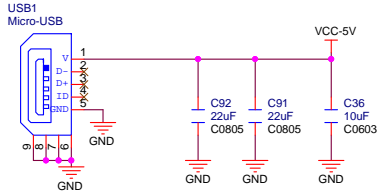


# POWER

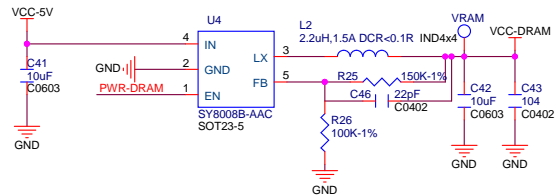
PWR-STB <<  
PWR-DRAM <<



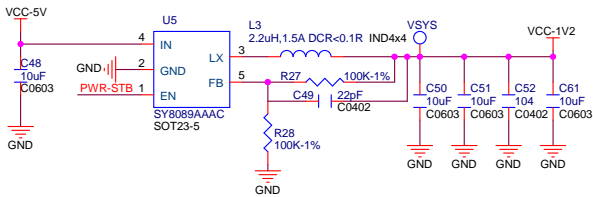
## VCC-5V



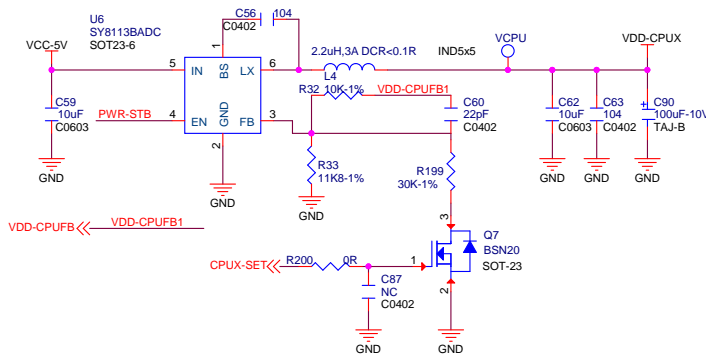
## DRAM



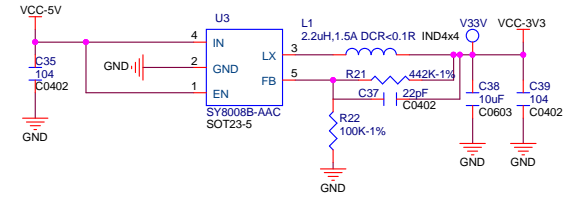
## SYSTEM



## CPUX



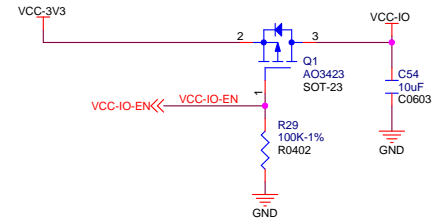
## VCC3V3



## RTC



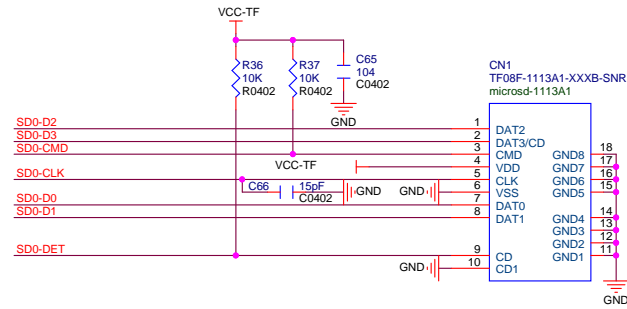
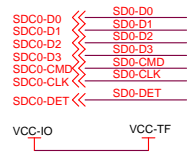
## VCC-IO



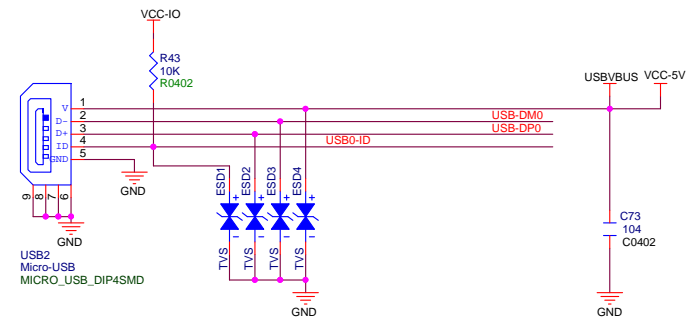
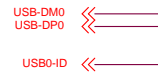
## AVCC



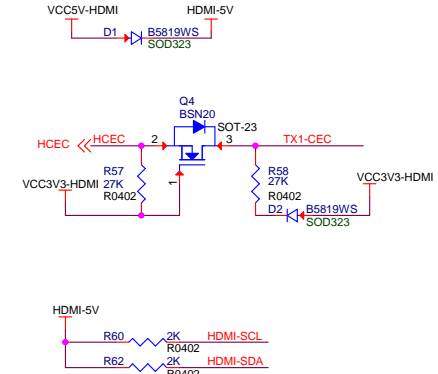
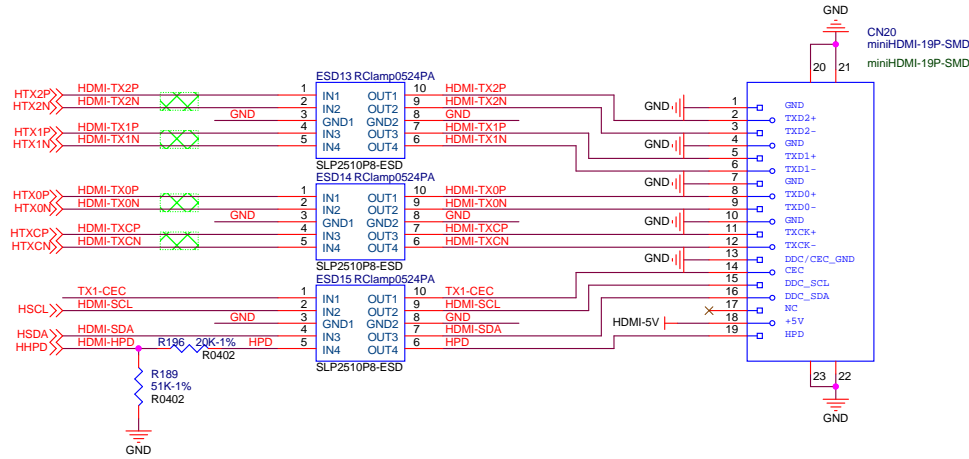
# TF-eMMC



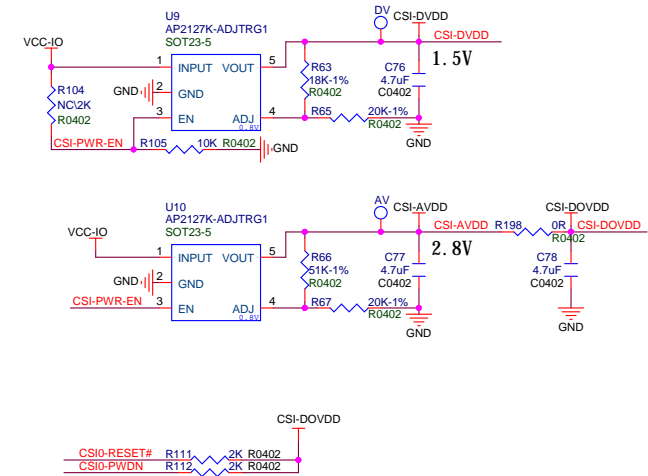
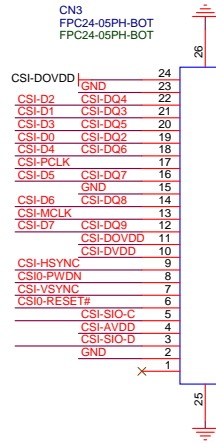
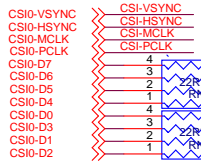
# USB



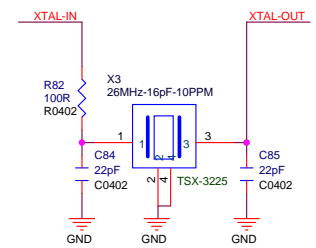
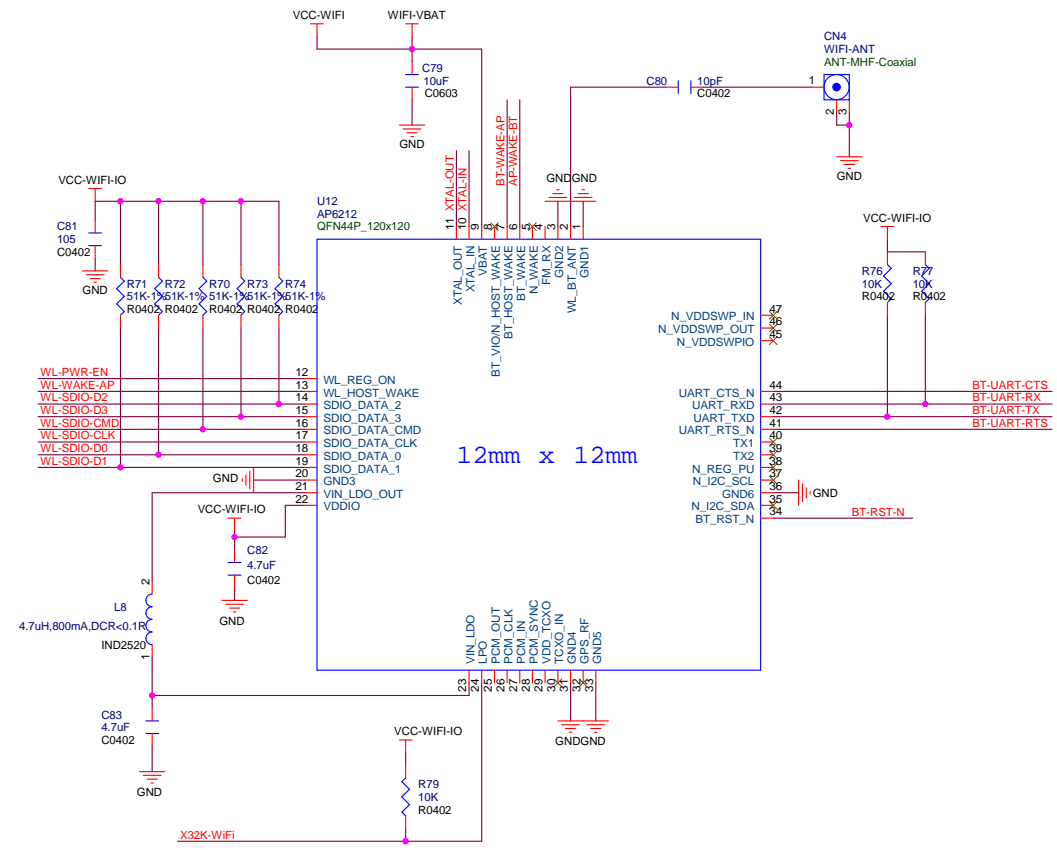
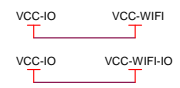
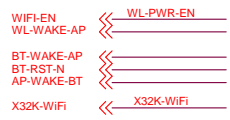
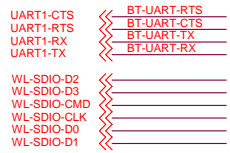
# HDMI-CSI



# CSI



# SDIO WIFI+BT



# EXT GPIO-IR-KEY-LED

