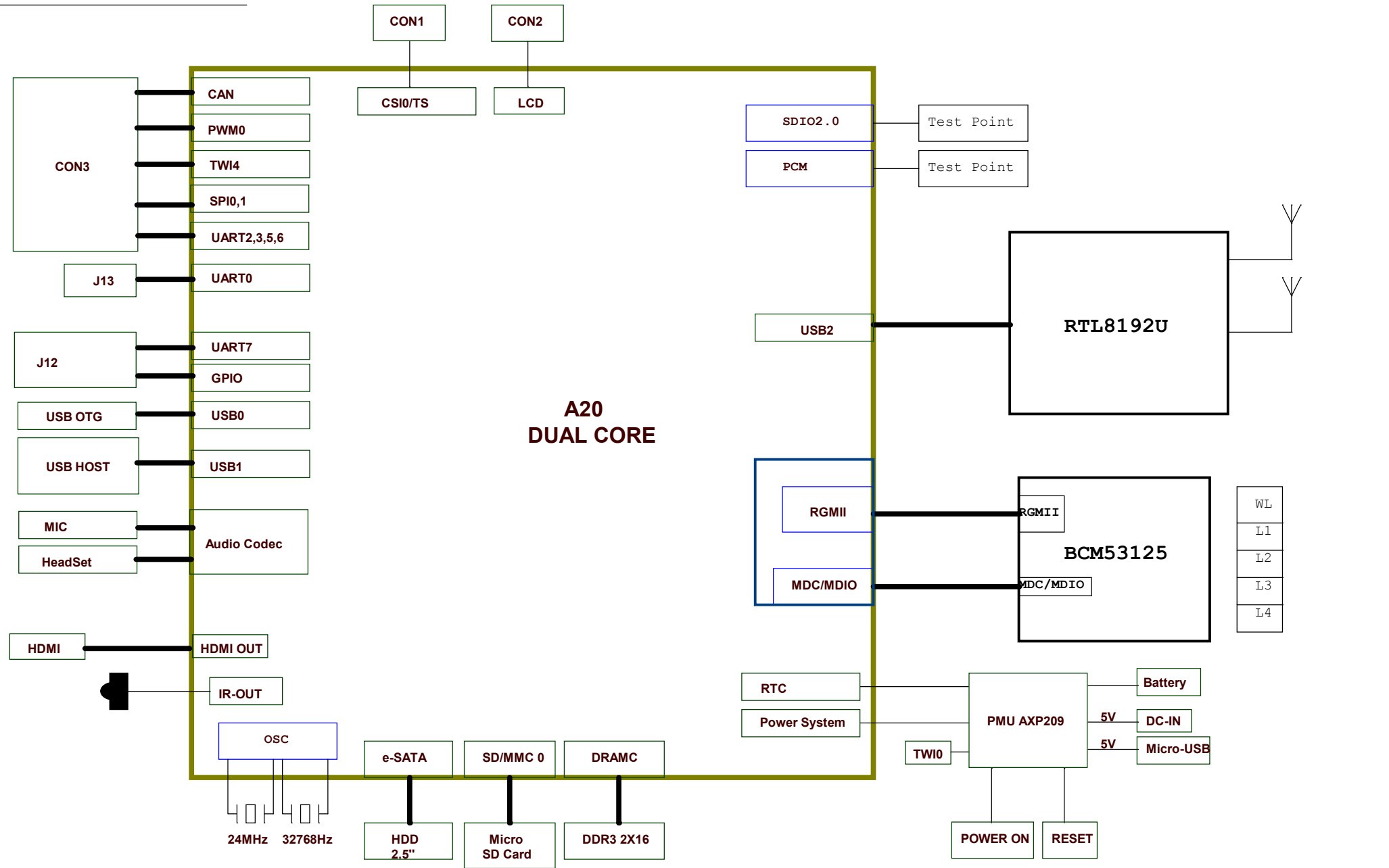


BLOCK

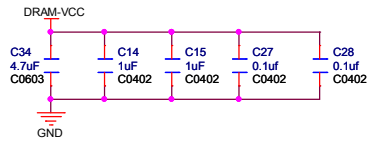


Title		R1-V3 SD
Size	Document Number	Rev
A3	01 BLOCK	<RevCode>
Date:	Friday, July 18, 2014	Sheet 1 of 15

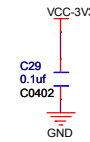
DRAM

Near the DLLVDD pin foot placement.

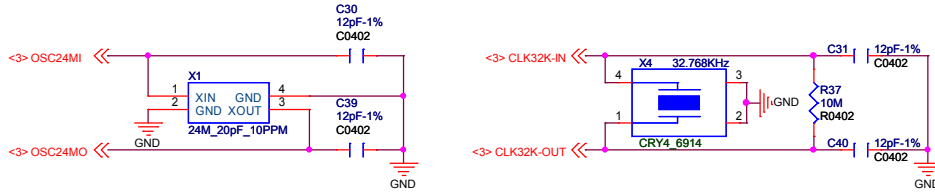
The device cannot be modified or deleted, otherwise cause system instability!



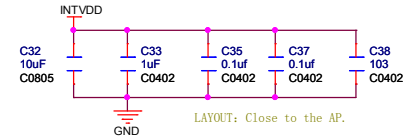
PLL



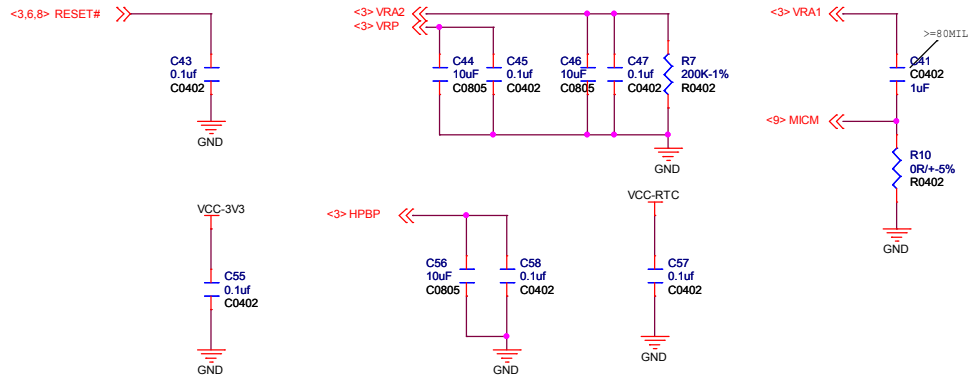
Crystal



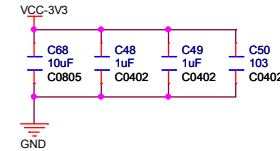
CORE



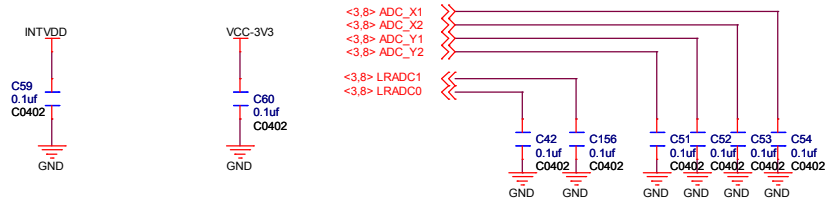
AUDIO&SYS



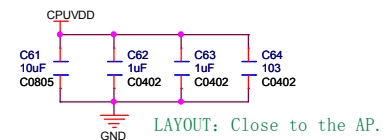
PIO-INTFACE



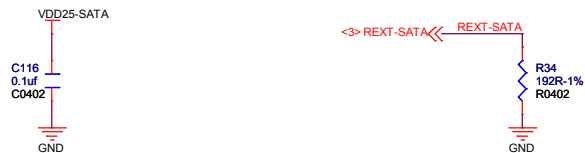
USB



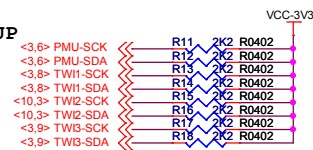
CPU&TV



SATA

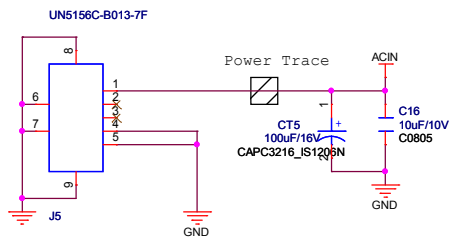


TWI-PULLUP



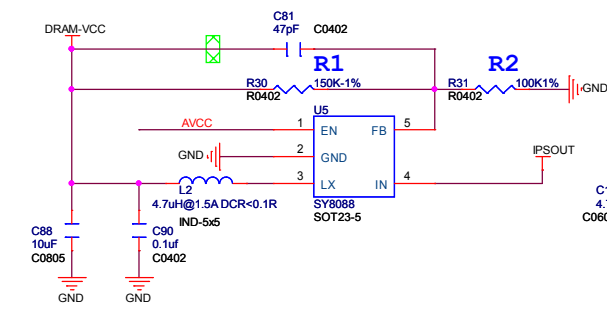
Title		
R1-V3 SD		
Size	Document Number	Rev
A3	05 BESIDE CPU	<Rev Code>
Date:	Friday, July 18, 2014	Sheet 5 of 15

PMU-AXP209

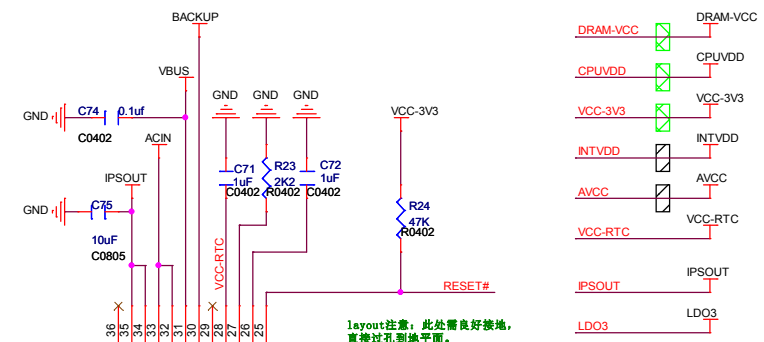
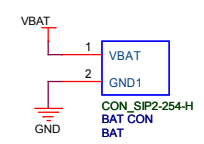
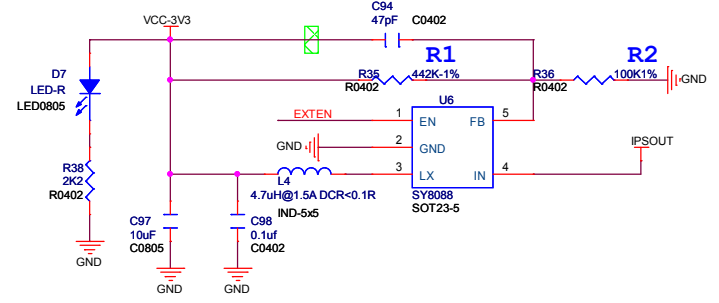


- VBUS_WK >>> VBUS_WK <1,2>
- USB0-DRV >>> USB0-DRV <12,3>
- RESET# >>> RESET# <3,5,8>
- NMI# >>> NMI# <3>
- PMU-SCK >>> PMU-SCK <3,5>
- PMU-SDA >>> PMU-SDA <3,5>
- EXTEN >>> EXTEN <12,7>

DRAM-VCC $V_{out} = 0.6 * (1 + R1/R2) = 1.50V$



VCC-3.3V $V_{out} = 0.6 * (1 + R1/R2)$



靠近LDQ3IN放置

Placed close to the VIN1.

Must increase RC circuit.

R106 R0805

L6 4.7uH@1.5A DCR<0.1R

IND-5x5

0.03R1%

C158 1uF C0402

C159 4.7uF C0603

C160 10uF C0805

R29 1K5 R0402

C84 102 C0402

R32 47K R0402

D2 1N4148 SOD123

K1 TS-018

K2 TS-018

R33 100R R0402

R39 2K-1% R0402

C91 4.7uF C0603

C92 10uF C0805

C93 103 C0402

C95 4.7uF C0603

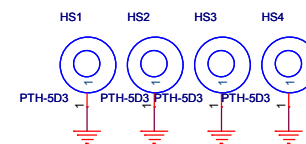
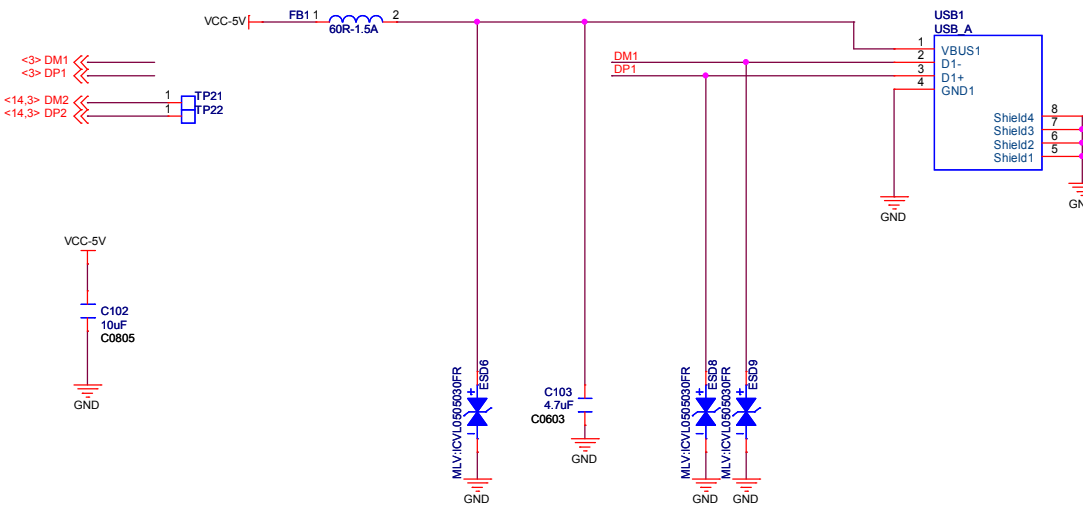
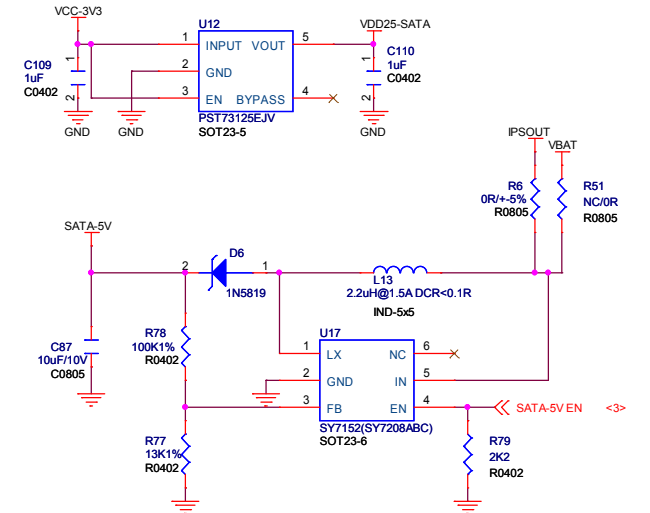
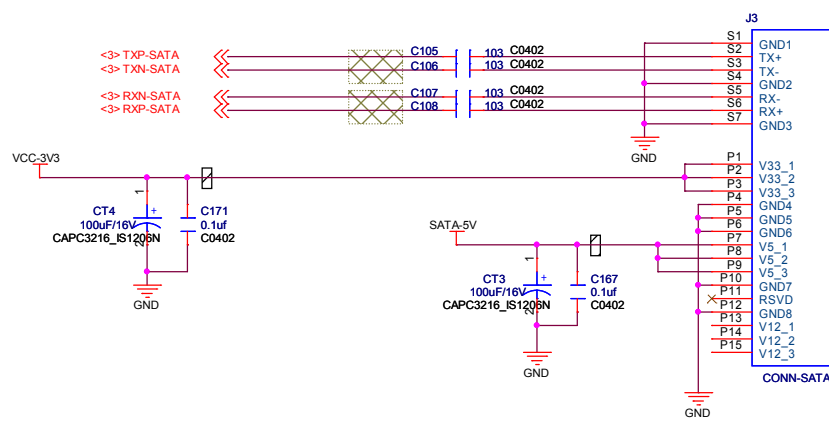
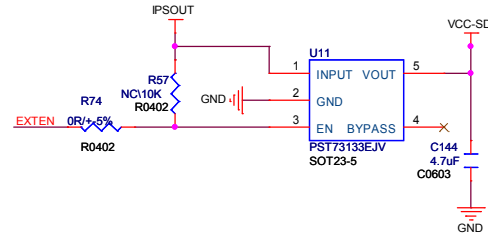
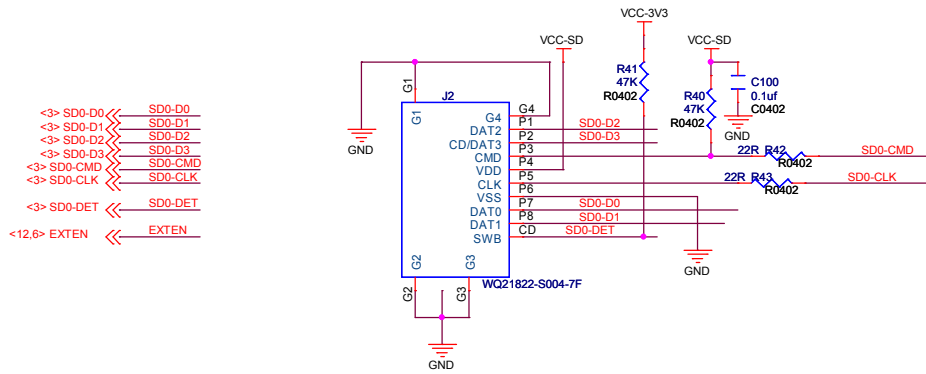
layout注意: 此处需良好接地, 直接过孔到地平线。

layout注意: 电源反馈线可以走细线, 以保证电路路径走粗线。

Layout注意: 要求在平面层做电源切割, 优先级: CPUVDD>DRAM-VCC>INTVDD>VCC-3V

按电源线规范走线, 保证线宽。

Title		R1-V3 SD	
Size	A3	Document Number	06 POWER
Date:	Friday, July 18, 2014	Sheet	6 of 15
			Rev <Rev Code>

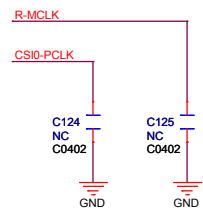
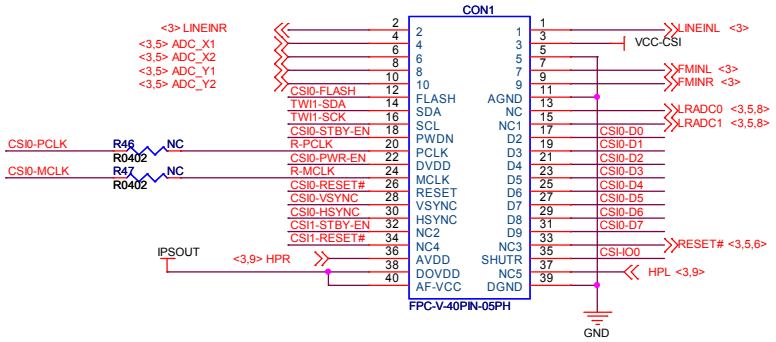
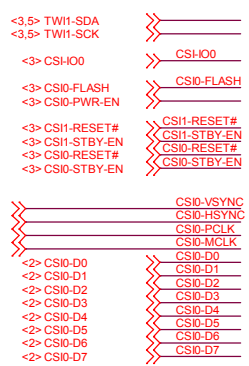
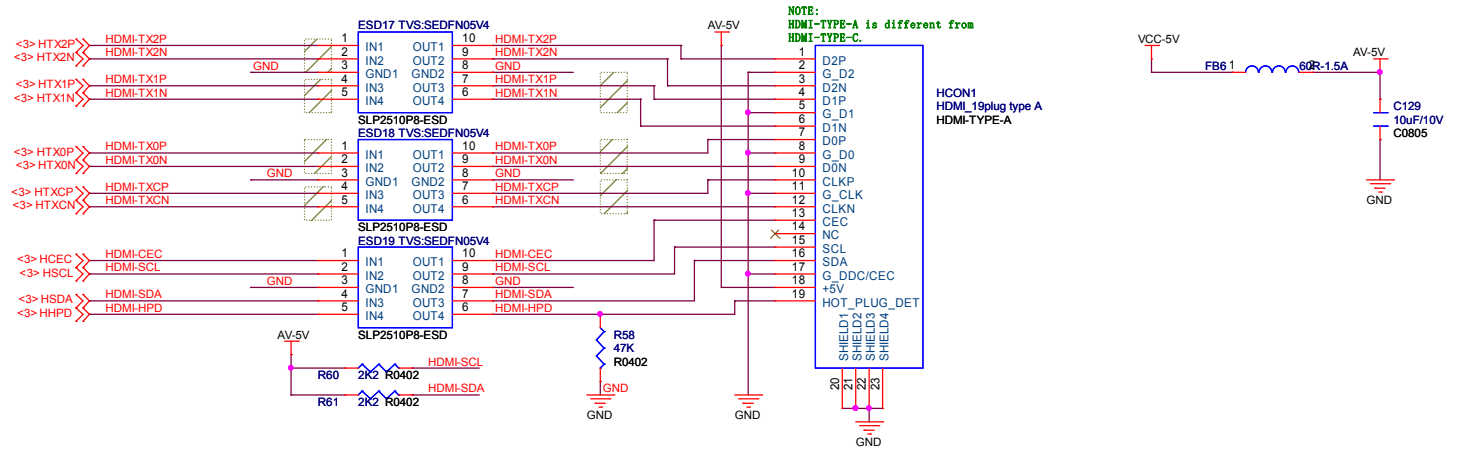
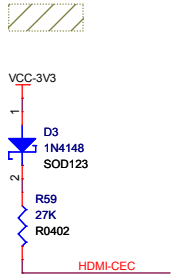


Title		
R1-V3 SD		
Size	Document Number	Rev
A3	07 SD-USB-SATA	<Rev Code>
Date:	Friday, July 18, 2014	Sheet 7 of 15

HDMI

HDMI

Differential pairs
Z0= 100 ohm +/-5 ohm



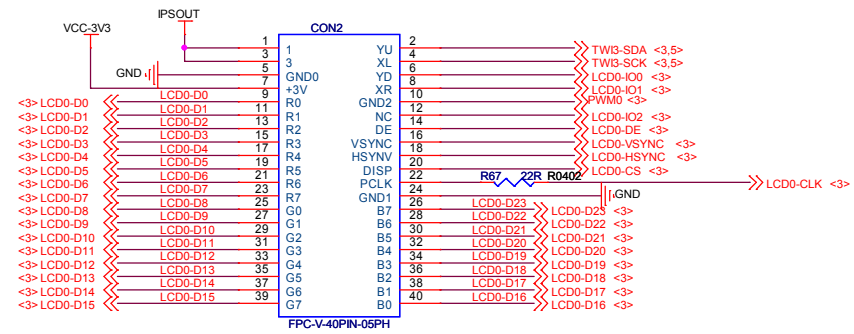
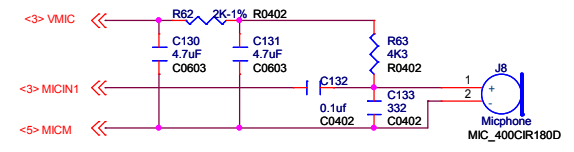
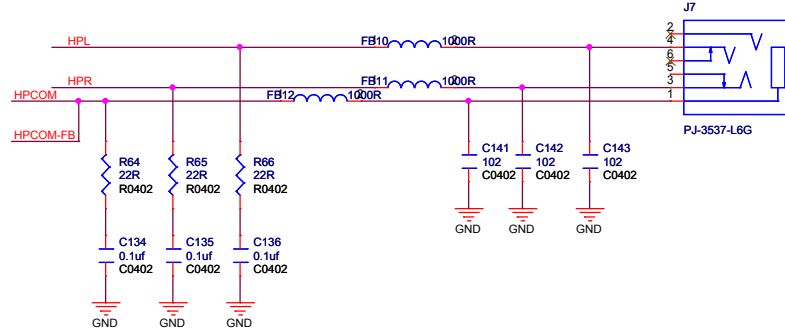
Title		
R1-V3 SD		
Size	Document Number	Rev
A3	08 CSI-HDMI	<Rev Code>
Date:	Friday, July 18, 2014	Sheet 8 of 15

<3,8> HPL <<

<3,8> HPR <<

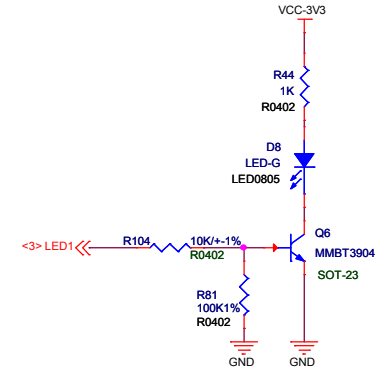
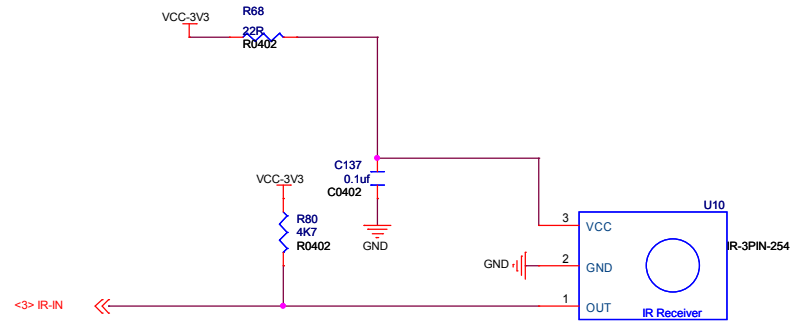
<3> HPCOM <<

<3> HPCOM-FB <<

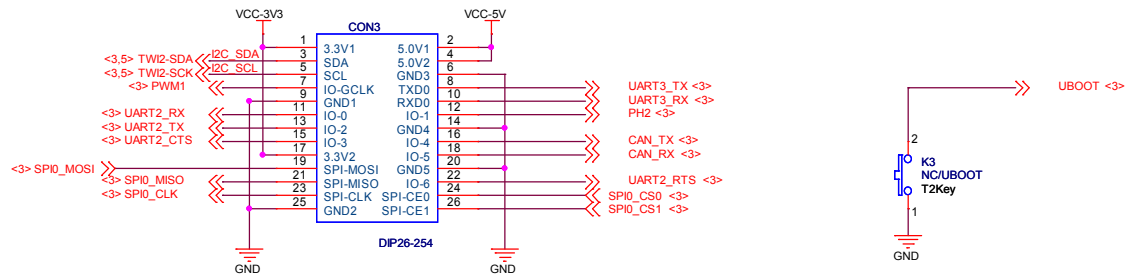
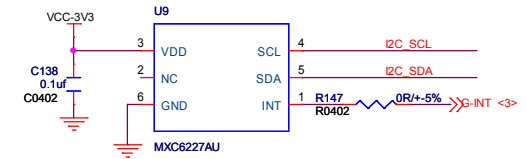


Title		
R1-V3 SD		
Size	Document Number	Rev
A3	09 AUDIO-LCD-EEPROM	<RevCode>
Date:	Friday, July 18, 2014	Sheet 9 of 15

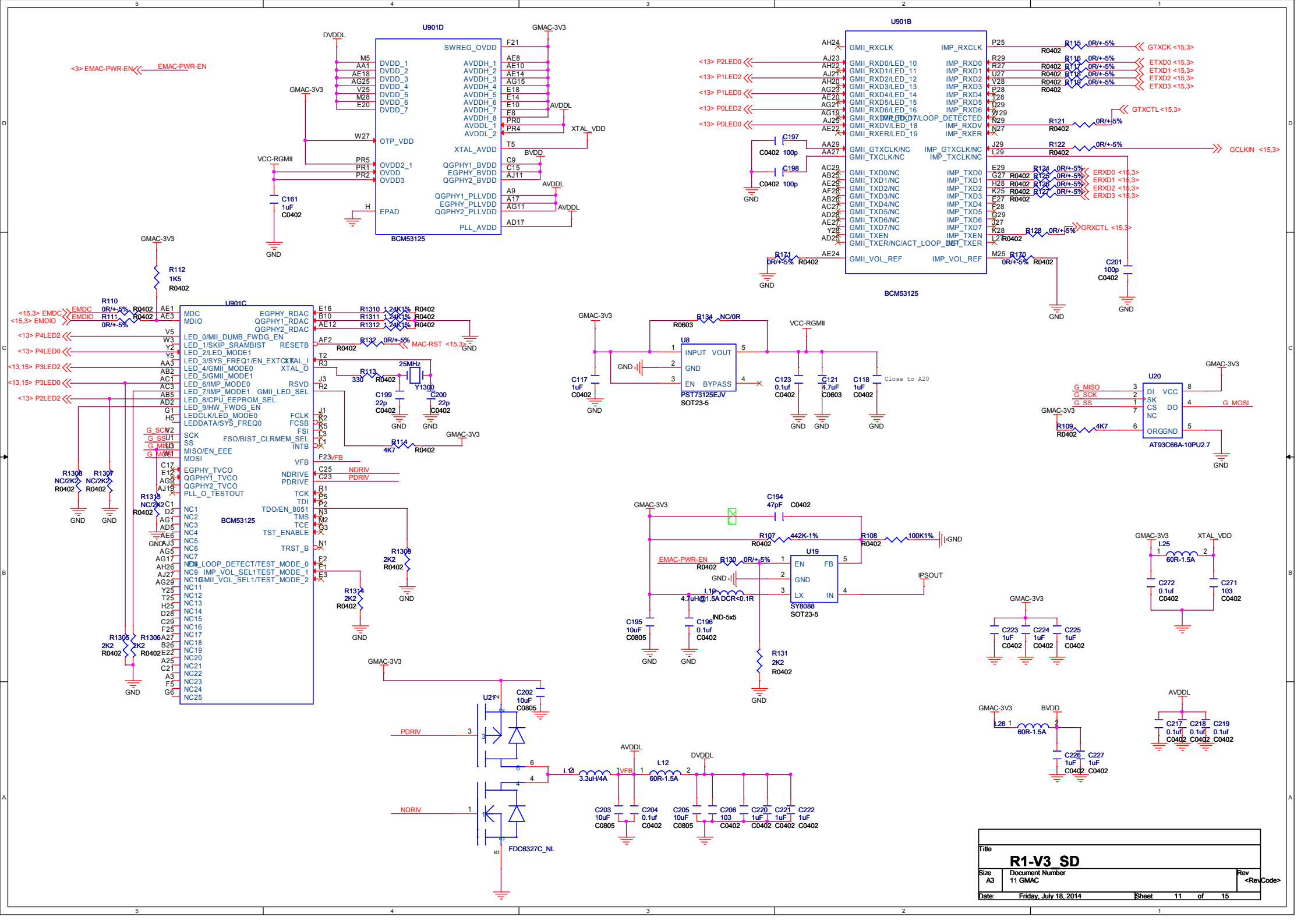
IR MODULE



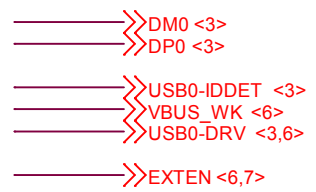
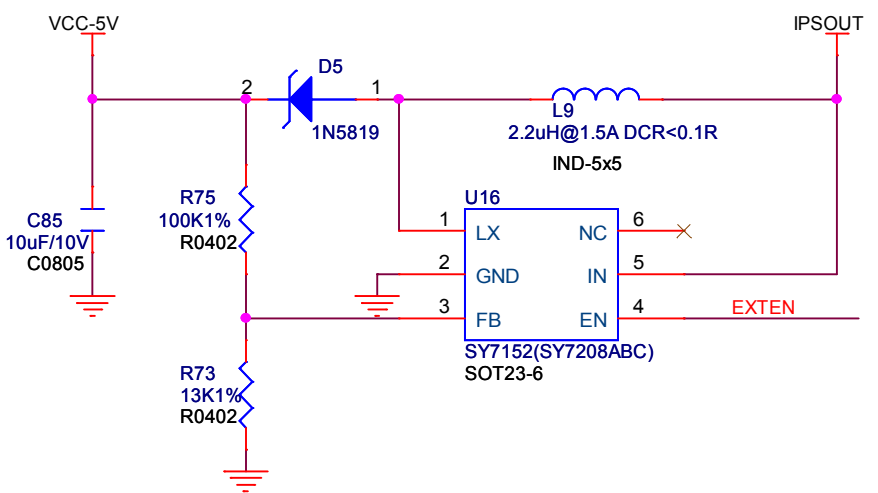
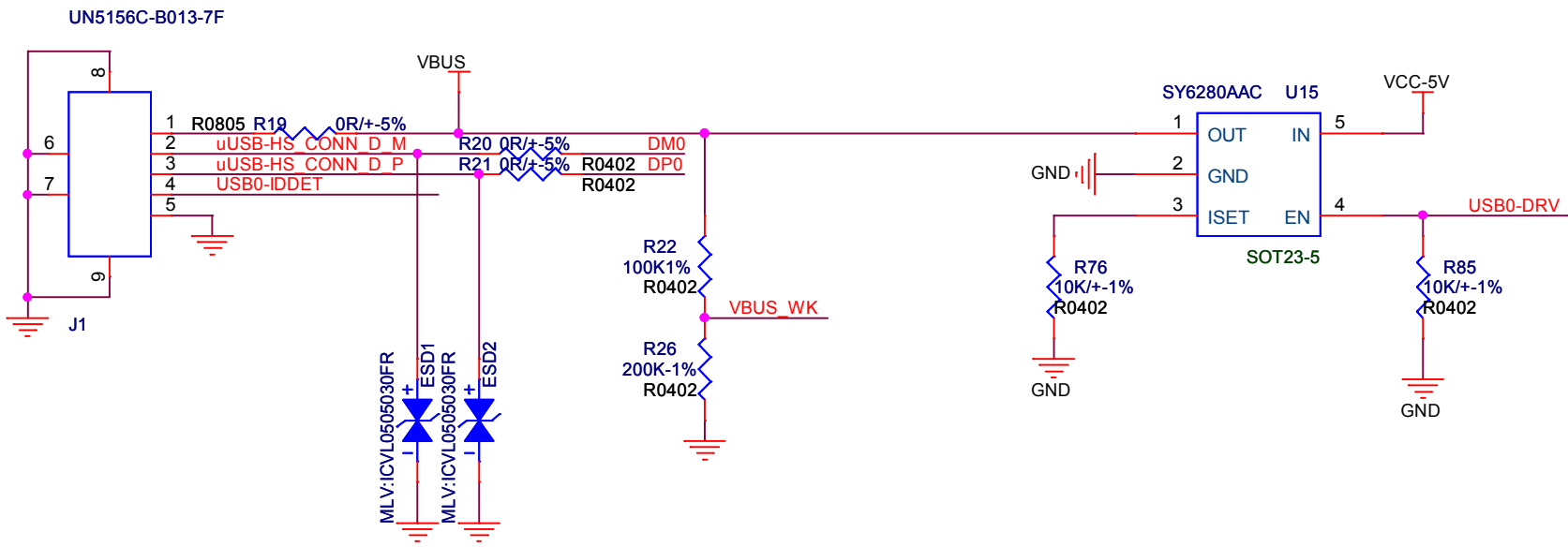
Ext Port



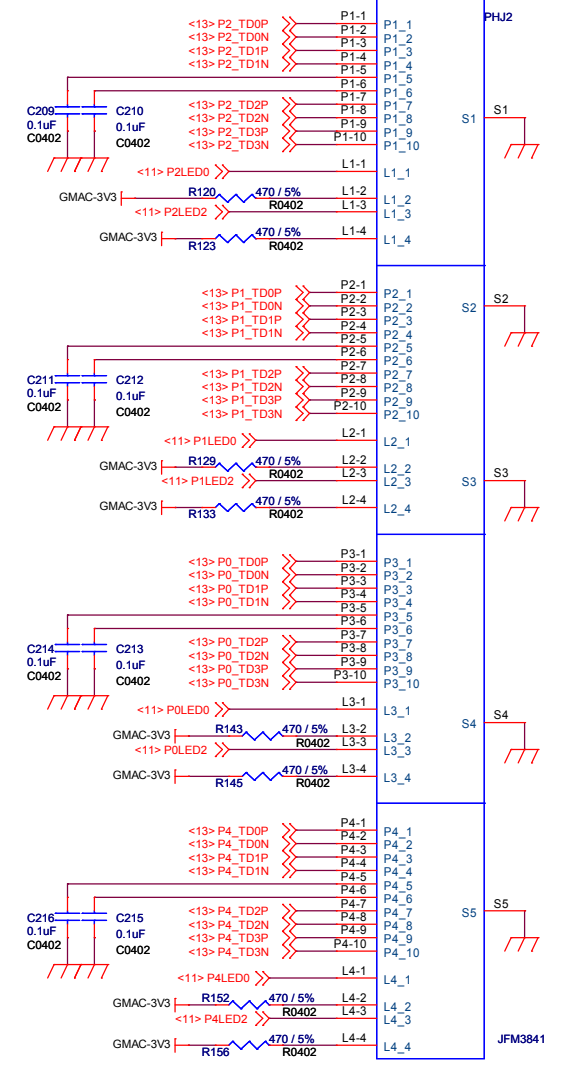
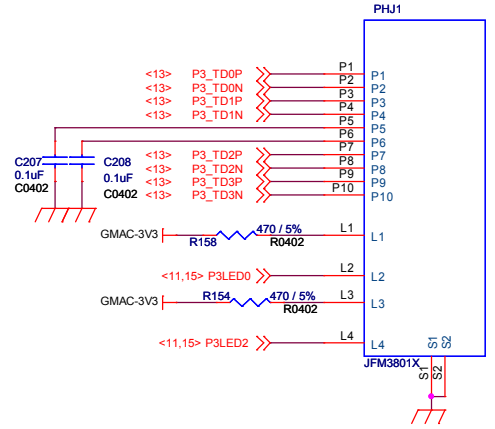
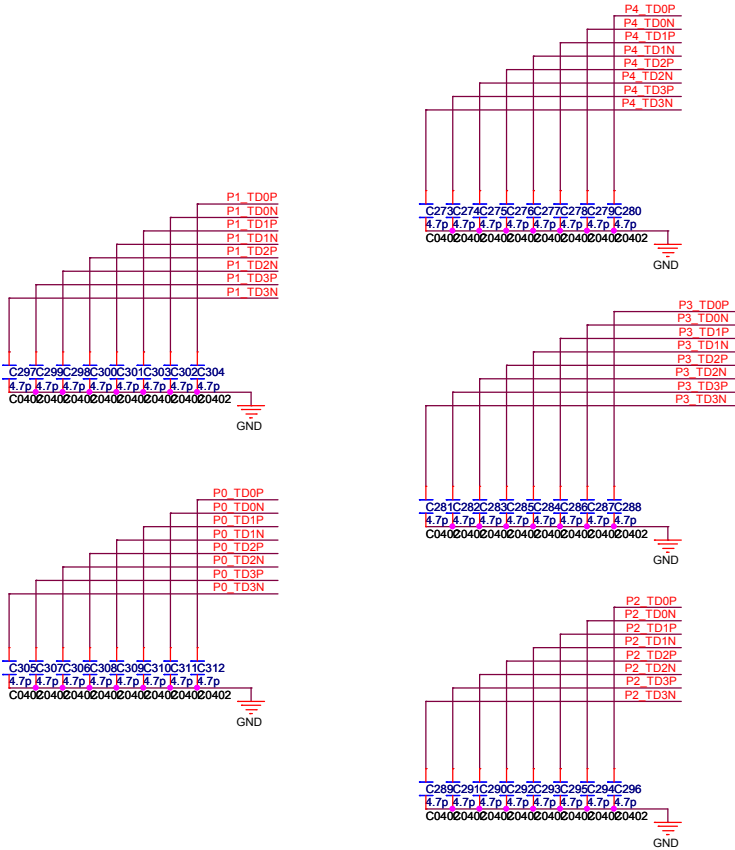
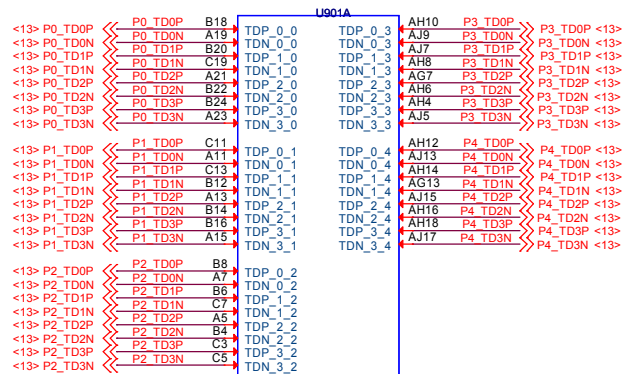
Title		
R1-V3 SD		
Size	Document Number	Rev
A3	10 IR-CVBS-ExtPort	<RevCode>
Date:	Friday, July 18, 2014	Sheet 10 of 15



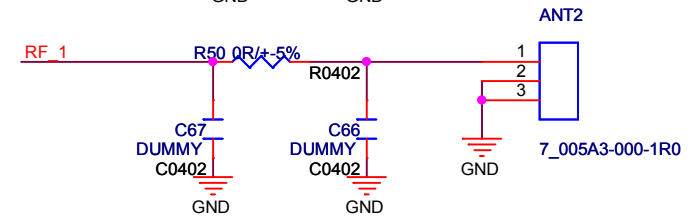
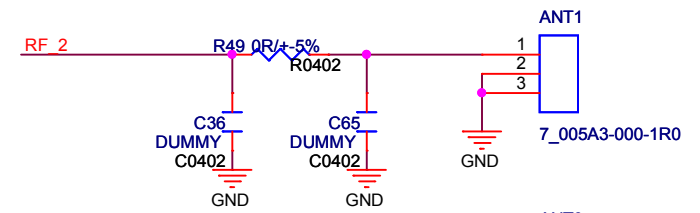
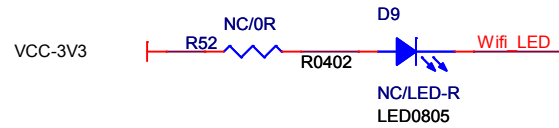
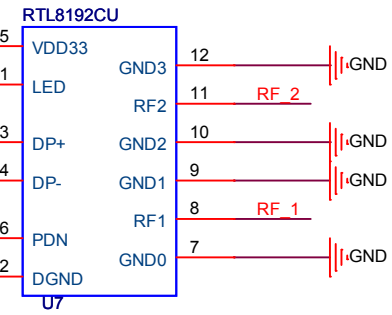
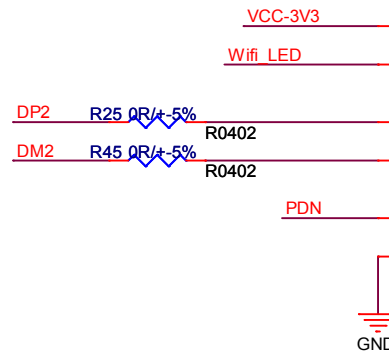
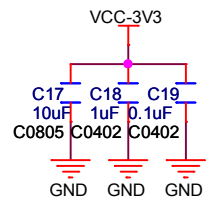
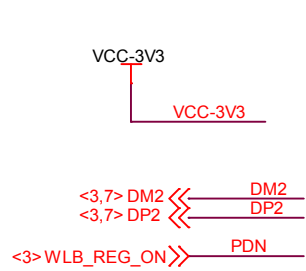
Title			
R1-V3 SD			
Size	Document Number		Rev
A3	11 GMAC		<Rev Code>
Date:	Friday, July 18, 2014	Sheet	11 of 15



Title		
R1-V3_SD		
Size A	Document Number 12_USB_OTG	Rev <RevCode>
Date:	Friday, July 18, 2014	Sheet 12 of 15



Title			R1-V3 SD
Size	Document Number	Rev	
A3	13 Ethernet Transformer		<RevCode>
Date:	Friday, July 18, 2014	Sheet	13 of 15



Title		
R1-V3 SD		
Size	Document Number	Rev
A4	14 Wifi_RTL8192CU	<RevC
Date:	Friday, July 18, 2014	Sheet 14 of 15