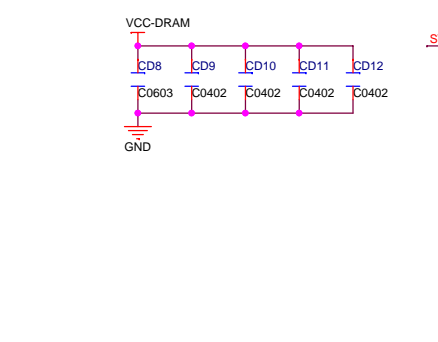
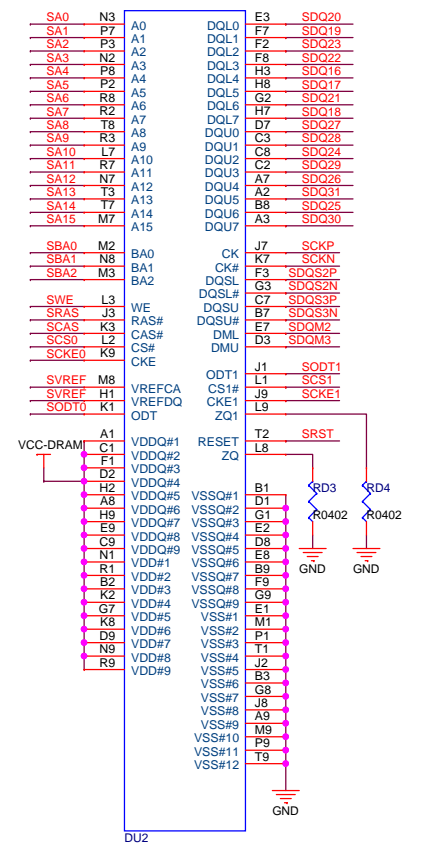
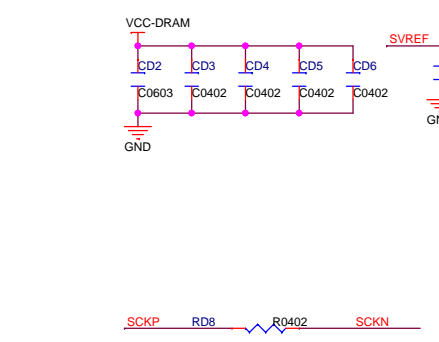
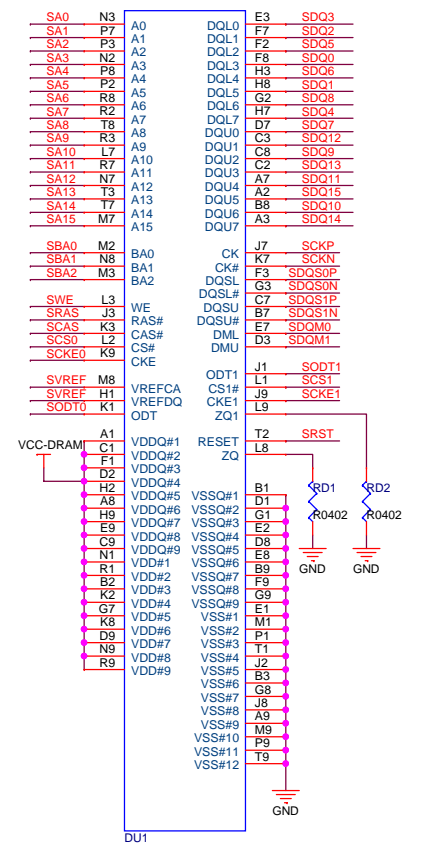
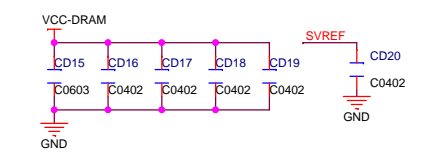
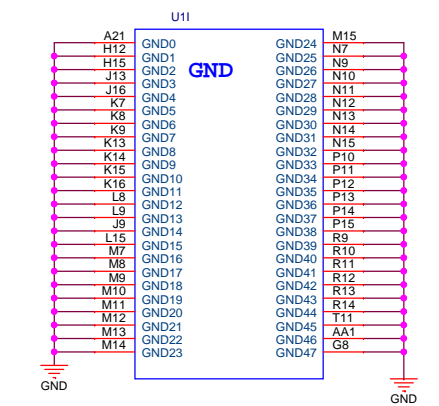
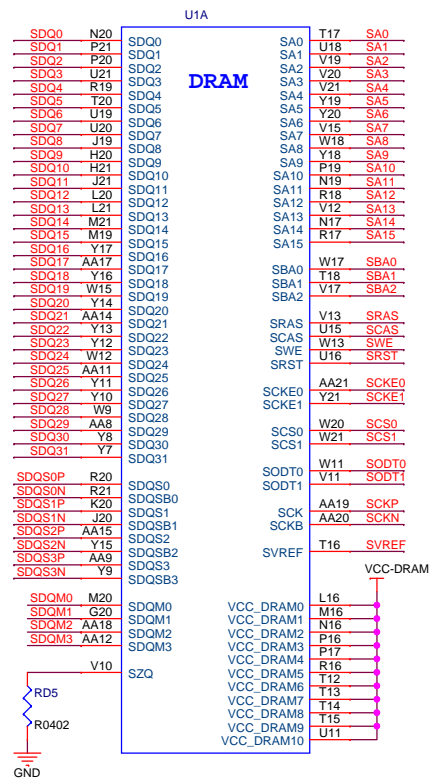


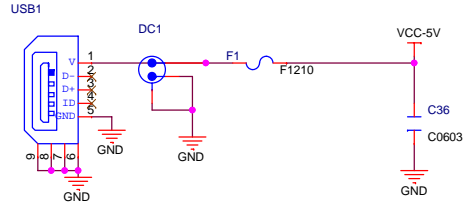
DDR3 16x2



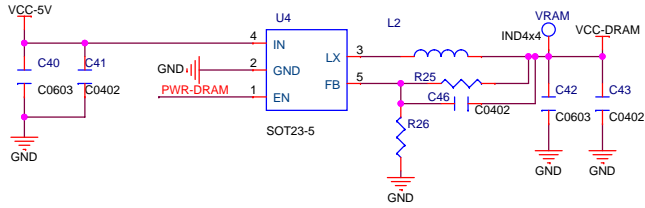
POWER

PWR-STB
PWR-DRAM

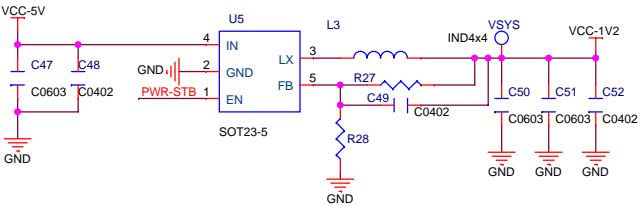
VCC-5V



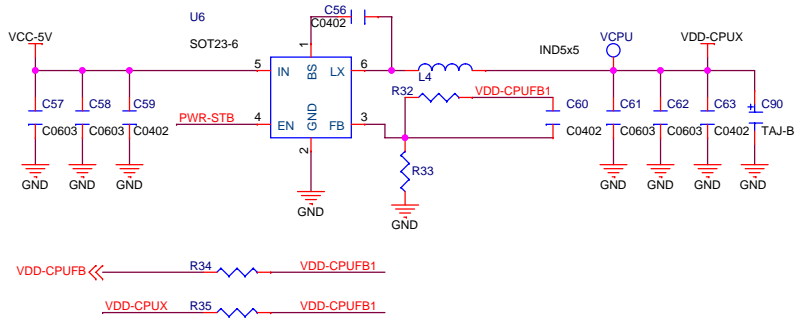
DRAM



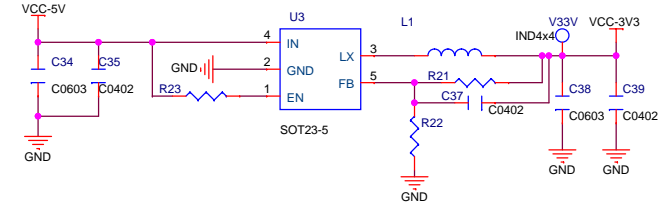
SYSTEM



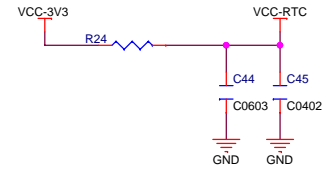
CPUX 1.2V/3A



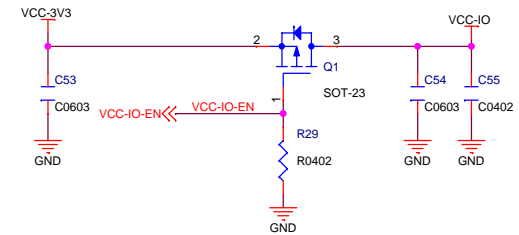
VCC3V3



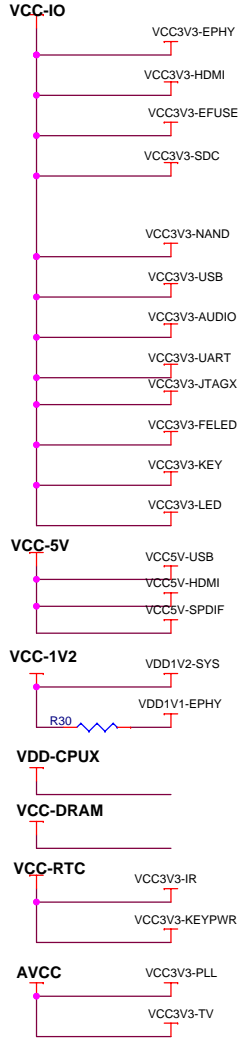
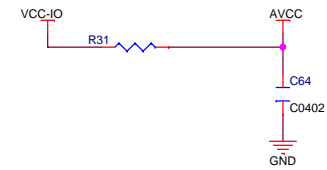
RTC



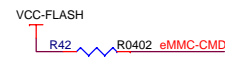
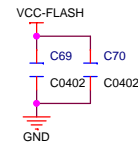
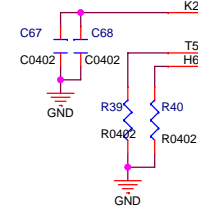
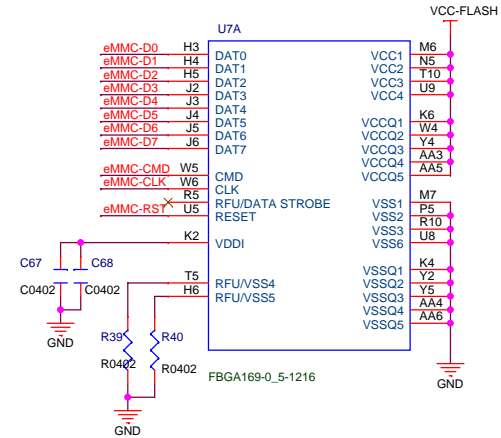
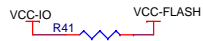
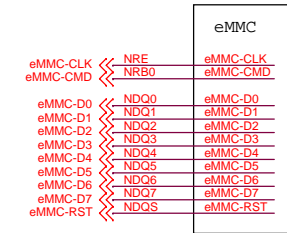
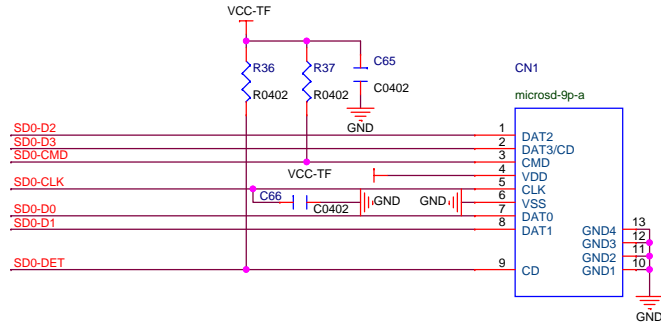
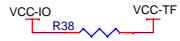
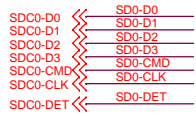
VCC-IO



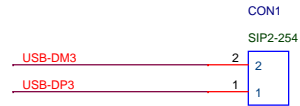
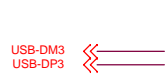
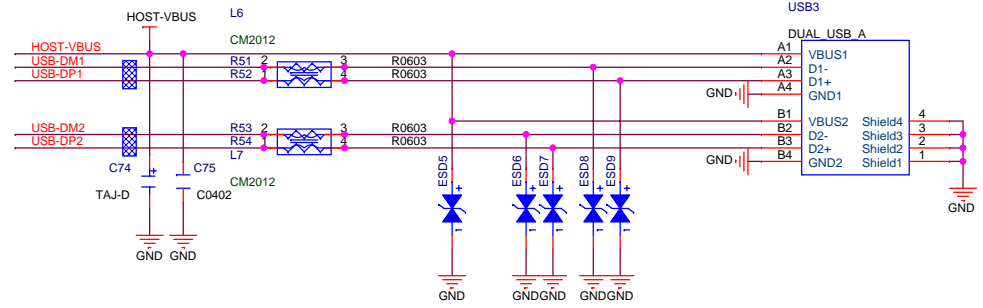
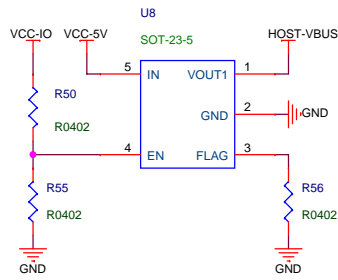
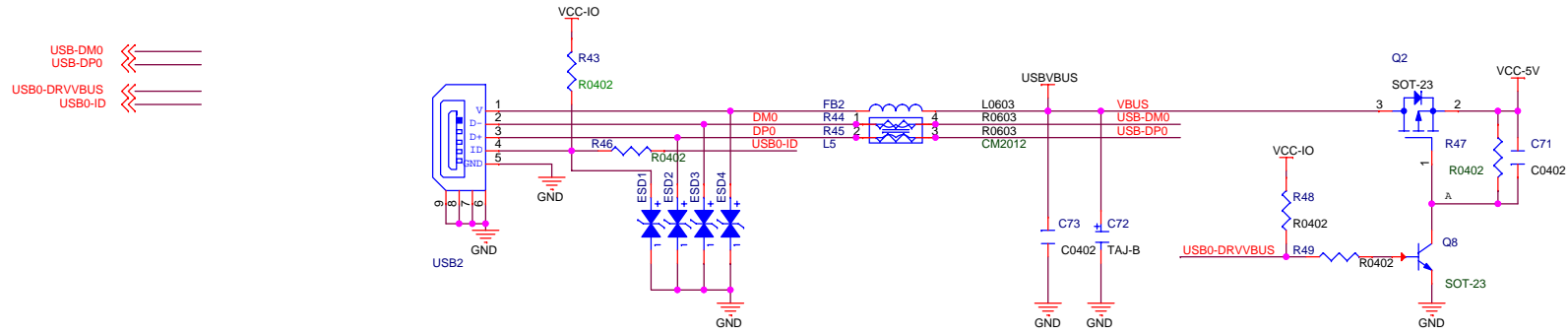
AVCC



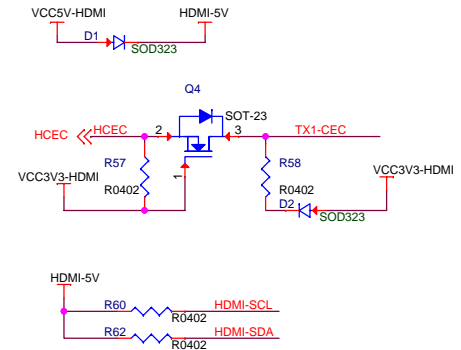
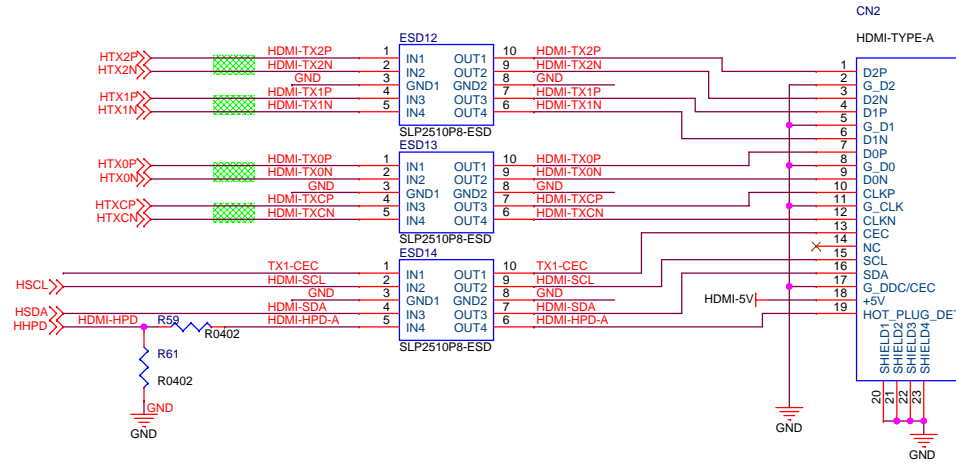
TF-eMMC



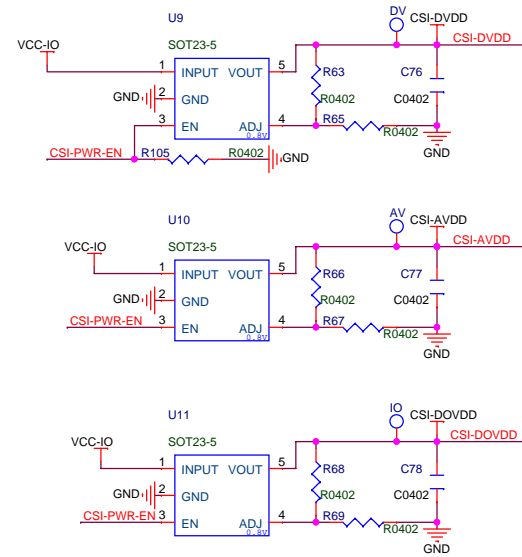
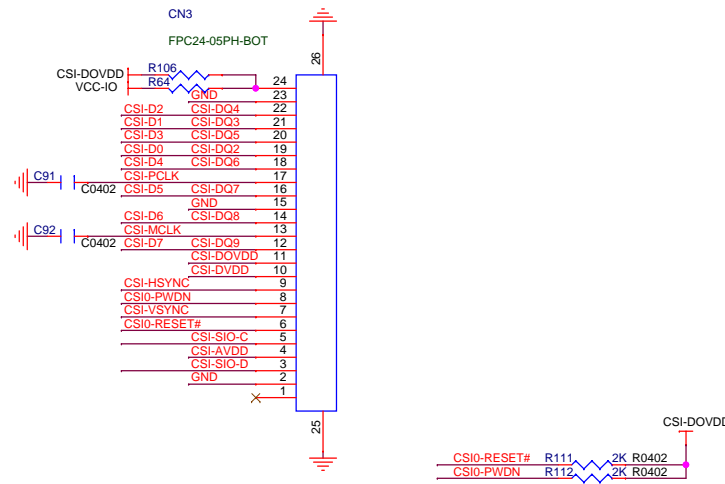
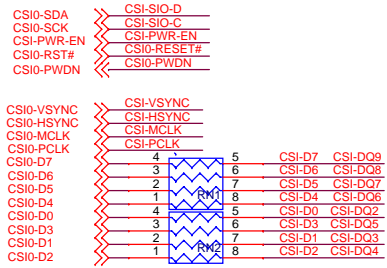
USB



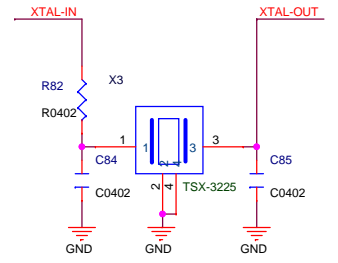
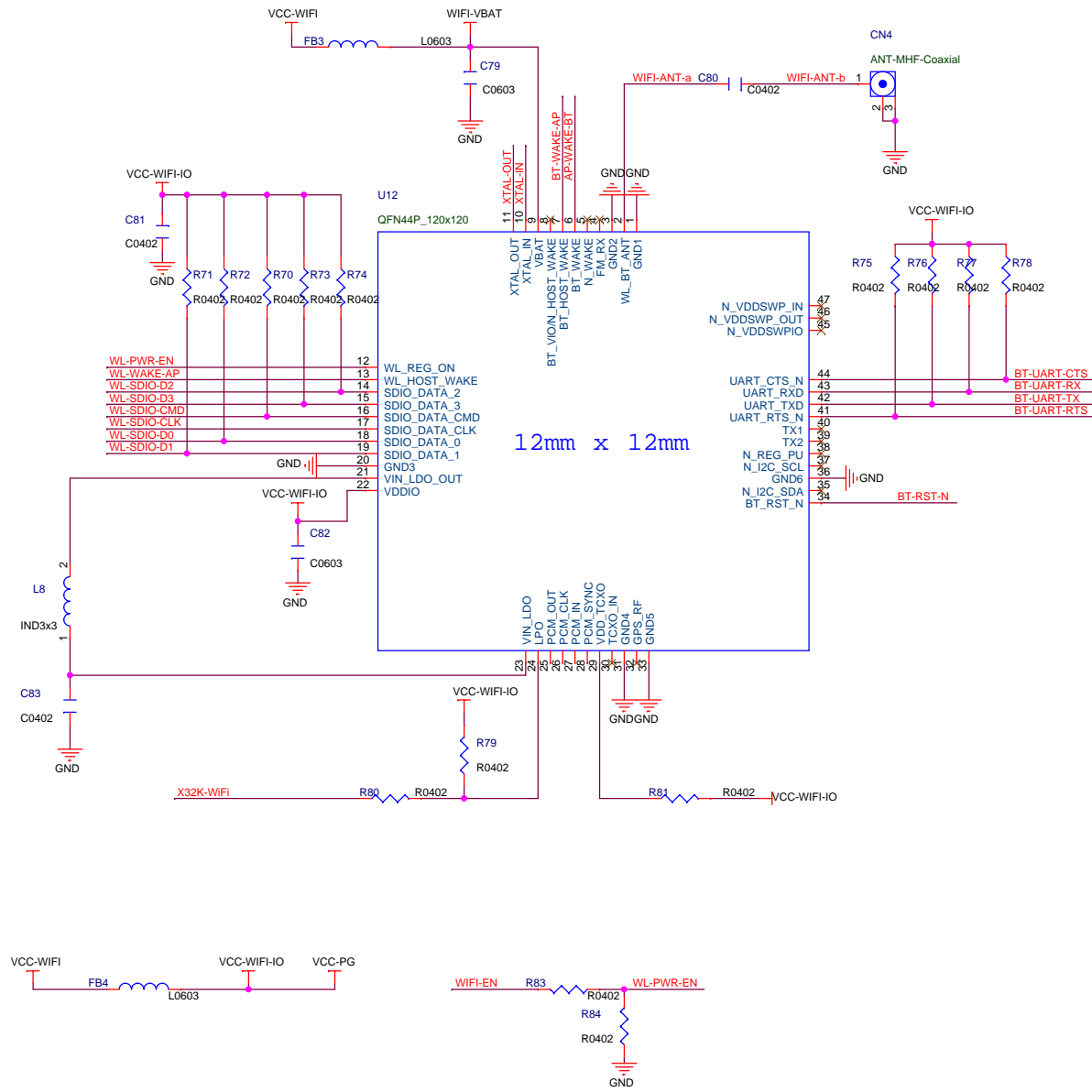
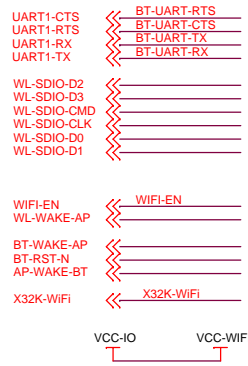
HDMI-CSI



CSI



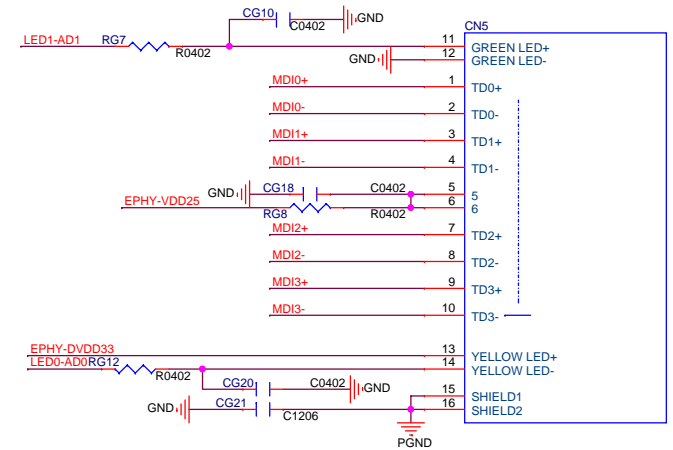
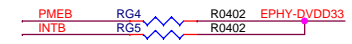
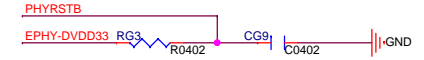
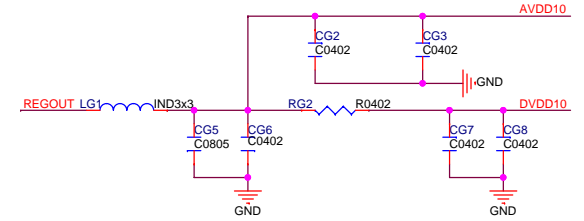
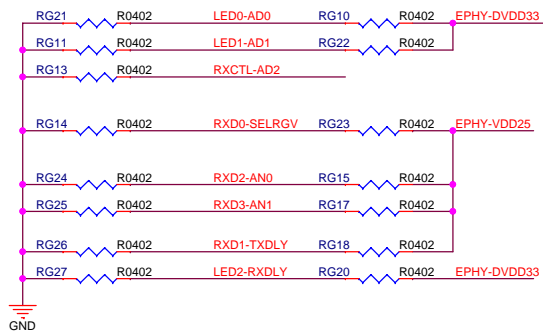
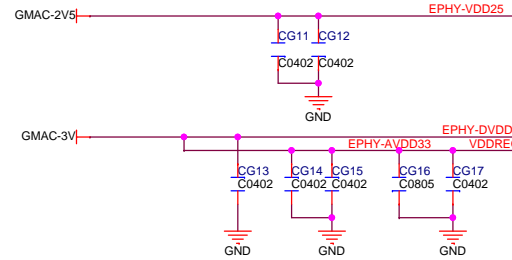
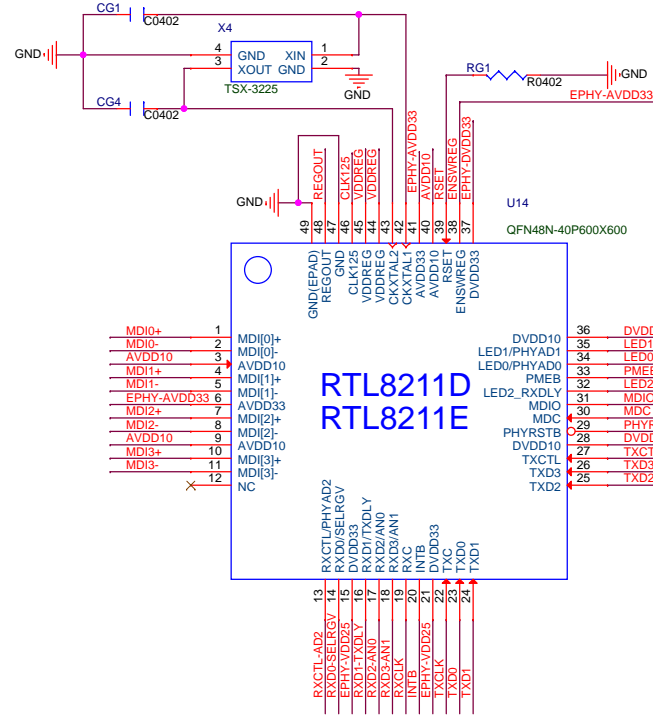
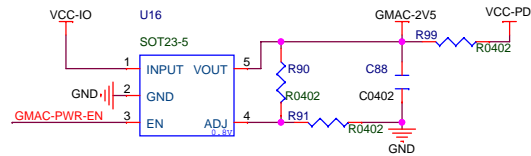
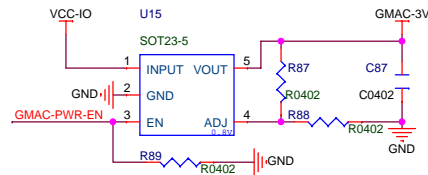
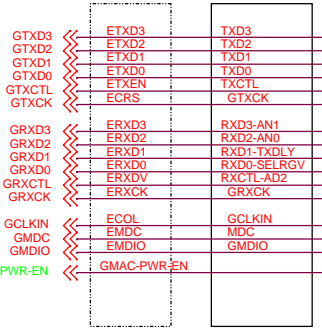
SDIO WIFI+BT



GMAC

10/100/1000 RGMII Ethernet PHY

EMAC-MII/GMAC-MII GMAC-RGMII



EXT GPIO-IR-KEY-LED

